

Switch Language

English 

Need Assistance?

- [Contact Us](#)
- [Find a Distributor](#)
- [Order Samples](#)
- [Tech Library](#)

[Printer-friendly page](#)

[Email this page](#)

[Home](#) [Datasheet](#)

Part Number: 0380020157

Status: Active

Description: SOLDER TAB DBL END 2 HOLE TIN PLTD

Documents:

Note - Please disable browser pop-up blockers for documents on www.molex.com

[Drawing \(PDF\)](#)

Order Products:

[Check Distributor Inventory](#) [Add to My Parts](#)

Part Detail: [\(show all\)](#)

Material Info

Product Family	Molex Parts
Series	38002

Material Info

Old Part Number	142
-----------------	-----



EU RoHS

ELV and RoHS Compliant

China RoHS



Need more information on product compliance?

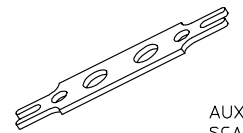
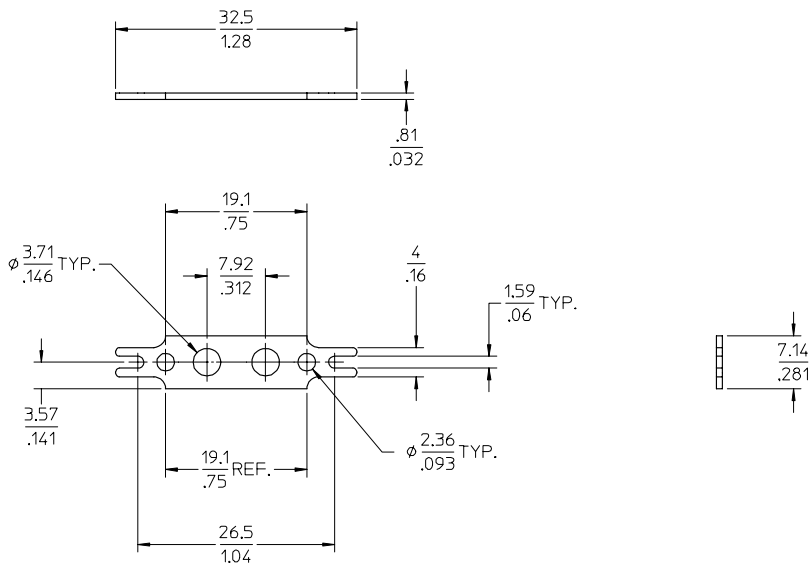
Email productcompliance@molex.com

Please visit the [Contact Us](#) section for any non-product compliance questions.

Lead-free Process Capability	Wave Capable (TH only)
------------------------------	------------------------

Search Parts in this Series

[38002](#) Series



AUX.VIEW
SCALE: 2X

- NOTES:
 1. MATERIAL: SEE TABLE
 2. FINISHES: SEE TABLE
 3. PRODUCT SPECIFICATION: NOT REQUIRED
 4. MATES WITH: NONE

1	1	TERMINAL	BRASS	TIN PLATED
ITEM	QTY.	DESCRIPTION	MATERIAL	FINISH

EC NO: NEO2004-0507 DRAWN BY: R.STONE 2004/02/03 CHECKED BY: G.ROBERT 2004/02/10 APPR: G.ROBERT 2004/02/10	QUALITY SYMBOLS	GENERAL TOLERANCES (UNLESS SPECIFIED)	SCALE 2:1	DESIGN UNITS INCH	THIRD ANGLE PROJECTION	REVISE ON CAD ONLY															
	▽-0 ▽-0	<table border="1"> <tr> <th></th> <th>mm</th> <th>INCH</th> </tr> <tr> <td>4 PLACES</td> <td>± ---</td> <td>± .0015</td> </tr> <tr> <td>3 PLACES</td> <td>± 0.038</td> <td>± .005</td> </tr> <tr> <td>2 PLACES</td> <td>± 0.13</td> <td>± .010</td> </tr> <tr> <td>1 PLACE</td> <td>± 0.3</td> <td>± ---</td> </tr> </table>		mm	INCH	4 PLACES	± ---	± .0015	3 PLACES	± 0.038	± .005	2 PLACES	± 0.13	± .010	1 PLACE	± 0.3	± ---	DIMENSION STYLE MM/IN		TITLE	
			mm	INCH																	
	4 PLACES	± ---	± .0015																		
3 PLACES	± 0.038	± .005																			
2 PLACES	± 0.13	± .010																			
1 PLACE	± 0.3	± ---																			
DESCRIPTION	ANGULAR ±1/2° DRAFT WHERE APPLICABLE MUST REMAIN WITHIN DIMENSIONS	DRAWN BY: R.STONE DATE: 08-19-03 CHECKED BY: RK DATE: 2-5-04 APPROVED BY: G.ROBERT DATE: 2-26-04	MOLEX INCORPORATED MATERIAL NO. 380020157 DOCUMENT NO. SD-38002-004 SHEET NO. 1 OF 1		TERMINAL, SOLDER, W CAT.# 142																
REV	A	THIS DRAWING CONTAINS INFORMATION THAT IS PROPRIETARY TO MOLEX INCORPORATED AND SHOULD NOT BE USED WITHOUT WRITTEN PERMISSION																			