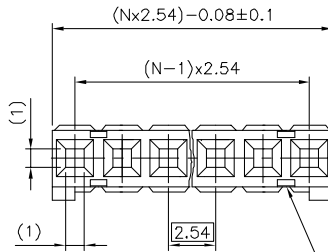
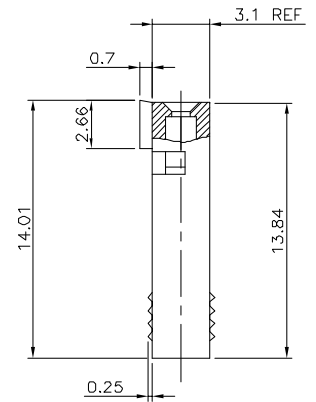
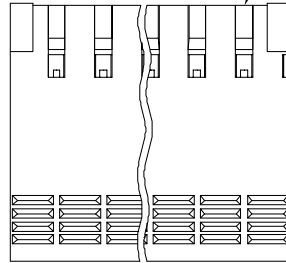


PRODUCT NUMBER
65240-0XXLF

- WHEN NEEDED, SUFFIX LETTER "LF" INDICATES THE PRODUCT IS RoHS COMPLIANT, SEE NOTE 6
- NUMBER OF CAVITIES PER ROW: 02 TO 36.
- PLASTIC MATERIAL.



SEE NOTE 2



NOTES:

- 1 - HOUSING MAT'L: THERMOPLASTIC GLASS FILLED FLAME RETARDANT PER UL 94 V-0 COLOR: BLUE.
- 2 - OVER DASH -007 ONLY FIRST AND LAST THREE POSITIONS MUST HAVE GROOVES ON TWO SIDES.
- 3 - PRODUCT PACKED IN PLASTIC BAG.
- 4 - TO DETERMINE DIMENSIONS:
N = NUMBER OF POSITIONS
EXAMPLE: 8 POS: (N x 2.54) - 0.08 = 20.24 mm.
- 5 - FOR TECHNICAL APPLICATION SEE TA317.
- 6 - RoHS COMPATIBLE PRODUCT SPECIFICATIONS

a - LABELING:

- MEETS PACKAGING SPECS AS PER GS-14-920

b - LEGAL STATEMENT: SEE GS-22-008

THE PRODUCT IS NOT INTENDED TO BE EXPOSED TO A MANUFACTURING SOLDER PROCESS.

mat'l. code	SEE NOTE	surface	ISO 1982	tolerance	ISO 486 ISO	projection	product family
ltr	ecm no	dr	date	tolerances unless otherwise specified	angles	mm	DUBOX
P	F06-0146	DLE	06.03.10	±0.3	linear	101	title
R	F06-0223	DLE	06.07.07	linear	linear	mm	CtW HOUSING
S	F07-0168	PNZ	07.04.02	±z'	linear	scale 5:1	SR
L	F05-0169	DLE	05.04.07	engr	G CORBOZ	01.01.05	dwg no
M	F05-0236	DLE	05.08.24	chr	P NIZZI	01.01.05	sheet 1 of 1
N	F05-0286	DLE	05.11.07	app	JF NOTTEAU	01.01.05	size
sheet index	revision sheet						65240
							A3
							type
							CUSTOMER Drawing