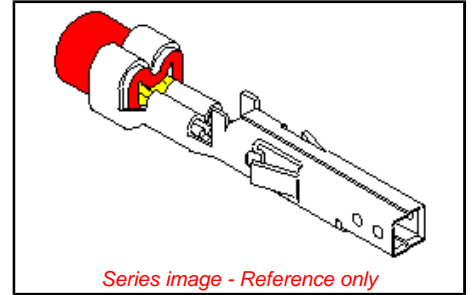


**Part Number:** [0039000039](#)  
**Status:** **Active**  
**Description:** 4.20mm (.165") Pitch Mini-Fit™ Crimp Terminal, Female, with Tin (Sn) over Copper (Cu) Plated Brass, 18-24 AWG, Bag



### General

Product Family	Crimp Terminals
Series	5556
Product Name	Mini-Fit®

### Physical

Durability (mating cycles) min	75 cycles
Gender	Receptacle
Material - Metal	Brass
Material - Plating Mating	Tin
Material - Plating Termination	Tin
Packaging Type	Bag
Plating min: Mating (µin)	35
Plating min: Mating (µm)	0.88
Plating min: Termination (µin)	35
Plating min: Termination (µm)	0.88
Termination Interface: Style	Crimp or Compression
Wire Insulation Diameter	1.30-3.10mm (.051-.122")
Wire Size AWG	18
Wire Size AWG	20
Wire Size AWG	22
Wire Size AWG	24
Wire Size mm²	N/A

### Electrical

Voltage - Maximum	600V
-------------------	------

### Material Info

Old Part Number	5556TL
-----------------	--------

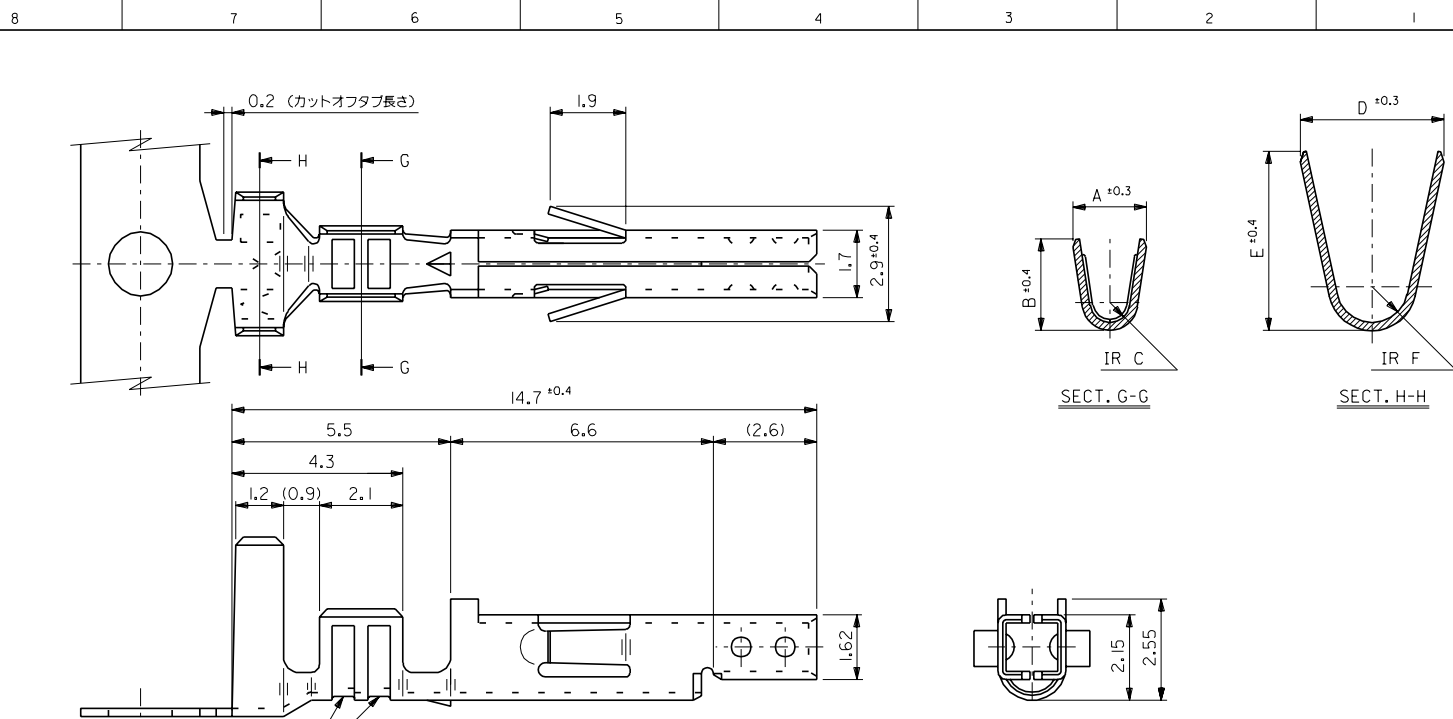
**EU RoHS**  
**ELV and RoHS**  
**Compliant**

**China RoHS**



EDP NO. 39-00-00\*\* SD-5556\*\*\*\*

MM DIMENSIONS IN METRIC DO NOT SCALE DRAWING



錫メッキ済リン青銅 (板厚: 0.203)	0.9	4.5	3.6	0.5	2.3	1.9	∅ 1.3-3.1	# 18-24	39-00-0060	5556 PBT	バラ状
									↑	↑	↑
									-0059	PBT	連鎖状
錫メッキ済黄銅 (板厚: 0.203)	0.6	2.3	2.3	0.4	1.65	1.8	∅ 0.9-1.8	# 22-28	-0047	T2L	バラ状
									-0046	T2	連鎖状
									↓	↓	↓
									-0039	TL	バラ状
									39-00-0038	5556 T	連鎖状
材料	F	E	D	C	B	A	被覆外径	適用電線	EDP NO.	ENG. NO.	端子形状

- 注記
- 適合ハウジング: 5557 シリーズ
  - 嵌合相手 : 5558, 5566, 5569 シリーズ
- △ 適用電線が # 22-28 の製品のセレーション数は 1 とする。

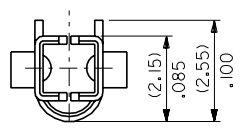
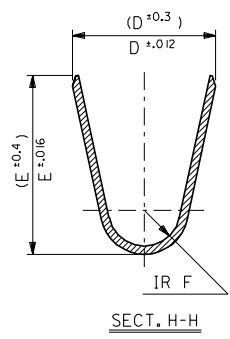
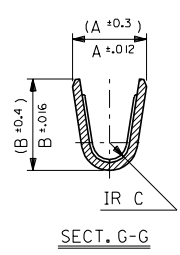
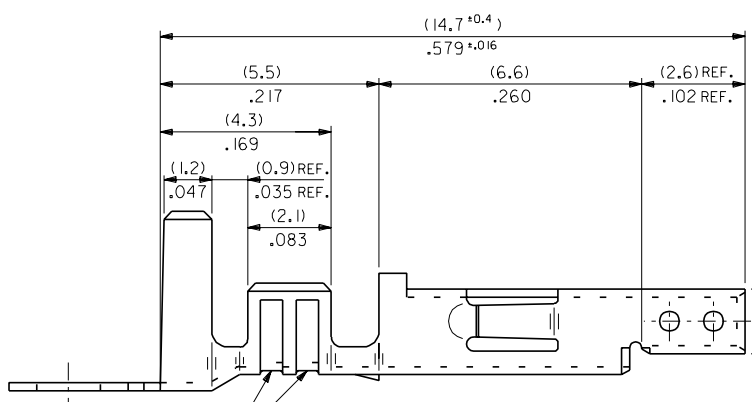
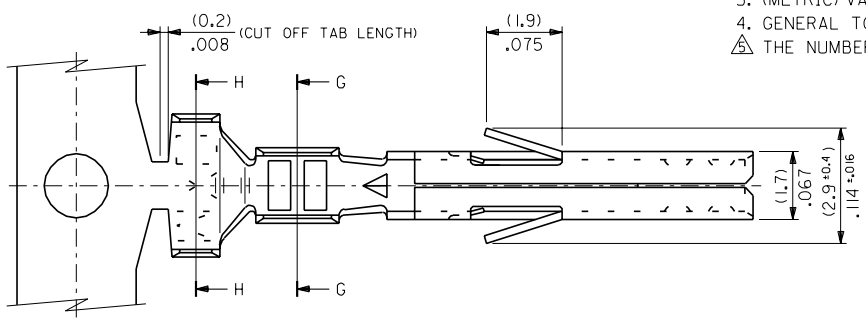
材料 MATERIAL		表参照		MOLEX JAPAN CO., LTD. 日本モレックス株式会社	
仕上げ FINISH		—		EDP NO. 39-00-00**	
適用電線範囲 WIRE RANGE		表参照		ENG. NO. SD-5556****	
被覆外径 INS. RANGE		表参照		REV G	
角度 ANGLE	±3°	F 変更	WC90279	Y.K. S.K.	98/11/6
30 以上 OVER	±0.3	E 変更	WC90012	Y.K. S.K.	98/7/6
10 以上 未過 UNDER	±0.25	D 変更&再作図 (J10380)	H.H.	9/5/21	
10 未満 UNDER	±0.2	記号 LTR	変更内容 REVISION RECORD	DR. CHK. DATE	DRAWN BY 9/5/8 H.HIRAMOTO CHK'D BY 9/11/9 K.T.S.KUNISHI
一般公差 GENERAL TOLERANCES		REVISE ONLY ON CAD SYSTEM		TITLE 名称 NEW MINI. FIT CONN. CRIMP RECEPTACLE	

THIS DRAWING CONTAINS INFORMATION THAT IS PROPRIETARY TO MOLEX JAPAN AND SHOULD NOT BE USED WITHOUT WRITTEN PERMISSION  
本図面は日本モレックス(株)の所有する情報を含むもので 当社の許可なく複製を禁止する。 MXJ-8

EDP NO. SHEET 1 OF 2  
 SEE SHEET 2 OF 2  
 ENG. NO. SD-5556\*\*\*\*  
 DIMENSIONS IN METRIC DO NOT SCALE DRAWING

NOTES

1. APPLICABLE HOUSING : 5557 SERIES.
  2. MATES WITH TERMINAL : 5558, 5566, 5569 SERIES.
  3. (METRIC) VALUES SHOWN GOVERN OVER ENGLISH CONVERSION VALUES.
  4. GENERAL TOLERANCES OF ENGLISH CONVERSION VALUES : ±.008 INCH.
- △ THE NUMBER OF SERRATIONS TO BE ONE FOR WIRE RANGE #22-28.



		材料 MATERIAL		SEE SHEET 2 OF 2	MOLEX-JAPAN CO.,LTD. 日本モレックス株式会社		
		仕上げ FINISH		SEE SHEET 2 OF 2	EDP. NO. SEE SHEET 2 OF 2		
角度 ANGLE		±30	H	REVISED (JC90279) Y.K. S.K. 98/11/6	適用電線範囲 WIRE RANGE SEE SHEET 2 OF 2		
30以上 OVER		±0.3	G	REVISED (JC90012) Y.K. S.K. 98/7/6	被覆外径 INS. RANGE SEE SHEET 2 OF 2		
10以上 OVER 未過 UNDER 30		±0.25	F	REVISED & REDRAWN (J03381) H.H. 98/5/6	DRAWN BY 9/5/8 CHK'D BY 9/11/9 H.HIRAMOTO K.T.S.KUNISHI		
10 UNDER 未過 UNDER		±0.2	記号 LTR	変更内容 REVISION RECORD DR. CHK. DATE	APPR'D BY 9/11/9 尺度 SCALE 10 - 1 M.FUKUSHIMA		
一般公差 GENERAL TOLERANCES		REVISE ONLY ON CAD SYSTEM				TITLE 名称 NEW MINI. FIT CONN. CRIMP RECEPTACLE	

THIS DRAWING CONTAINS INFORMATION THAT IS PROPRIETARY TO MOLEX/JAPAN AND SHOULD NOT BE USED WITHOUT WRITTEN PERMISSION  
 本図面は日本モレックス(株)の所有する情報を含むもので 当社の許可なく複製を禁止する。 MXJ-8

8 7 6 5 4 3 2 1

	(0.9)	(4.5)	(3.6)	(0.6)	(2.7)	(2.3)	(3.1)	#16	39-00-0119	5556 PBS3L	LOOSE	
TIN OVER NICKEL PLATED PHOSPHOR BRONZE	.035	.177	.142	.024	.106	.091	∅ .122 MAX.		↑ -0118	↑ PBS3	CHAIN	
	(0.6)	(2.3)	(2.3)	(0.4)	(1.65)	(1.8)	∅ (0.9-1.8)	#22-28	-0117	PBS2L	LOOSE	
	.024	.091	.091	.016	.065	.071	∅ .035-.071		-0116	PBS2	CHAIN	
TIN PLATED PHOSPHOR BRONZE	(0.9)	(4.5)	(3.6)	(0.5)	(2.3)	(1.9)	∅ (1.3-3.1)	#18-24	-0115	PBSL	LOOSE	
	.035	.177	.142	.020	.091	.075	∅ .051-.122		-0114	PBS	CHAIN	
	(0.9)	(4.5)	(3.6)	(0.6)	(2.7)	(2.3)	∅ (3.1) MAX.	#16	-0080	PBT3L	LOOSE	
TIN OVER NICKEL PLATED BRASS	.035	.177	.142	.024	.106	.091	∅ .122 MAX.	#16	-0079	PBT3	CHAIN	
	(0.6)	(2.3)	(2.3)	(0.4)	(1.65)	(1.8)	∅ (0.9-1.8)	#22-28	-0066	PBT2L	LOOSE	
	.024	.091	.091	.016	.065	.071	∅ .035-.071		-0065	PBT2	CHAIN	
TIN OVER COPPER PLATED BRASS	(0.9)	(4.5)	(3.6)	(0.5)	(2.3)	(1.9)	∅ (1.3-3.1)	#18-24	-0060	PBTL	LOOSE	
	.035	.177	.142	.020	.091	.075	∅ .051-.122		-0059	PBT	CHAIN	
	(0.9)	(4.5)	(3.6)	(0.6)	(2.7)	(2.3)	∅ (3.1) MAX.	#16	-0113	S3L	LOOSE	
MATERIAL	.035	.177	.142	.024	.106	.091	∅ .122 MAX.	#16	-0112	S3	CHAIN	
	(0.6)	(2.3)	(2.3)	(0.4)	(1.65)	(1.8)	∅ (0.9-1.8)	#22-28	-0111	S2L	LOOSE	
	.024	.091	.091	.016	.065	.071	∅ .035-.071		-0110	S2	CHAIN	
MATERIAL	(0.9)	(4.5)	(3.6)	(0.5)	(2.3)	(1.9)	∅ (1.3-3.1)	#18-24	-0109	SL	LOOSE	
	.035	.177	.142	.020	.091	.075	∅ .051-.122		-0108	S	CHAIN	
	(0.9)	(4.5)	(3.6)	(0.6)	(2.7)	(2.3)	∅ (3.1) MAX.	#16	-0078	T3L	LOOSE	
MATERIAL	.035	.177	.142	.024	.106	.091	∅ .122 MAX.	#16	-0077	T3	CHAIN	
	(0.6)	(2.3)	(2.3)	(0.4)	(1.65)	(1.8)	∅ (0.9-1.8)	#22-28	-0047	T2L	LOOSE	
	.024	.091	.091	.016	.065	.071	∅ .035-.071		-0046	T2	CHAIN	
MATERIAL	(0.9)	(4.5)	(3.6)	(0.5)	(2.3)	(1.9)	∅ (1.3-3.1)	#18-24	↓ -0039	↓ TL	LOOSE	
	.035	.177	.142	.020	.091	.075	∅ .051-.122		39-00-0038	5556 T	CHAIN	
	MATERIAL		F	E	D	C	B	A	INS. RANGE	WIRE RANGE	EDP NO.	ENG. NO.

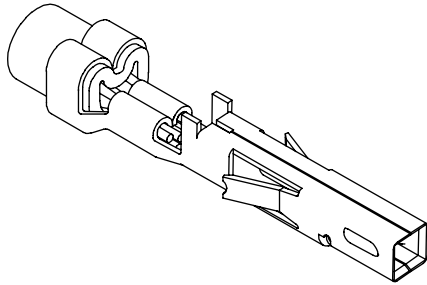
材料 MATERIAL		SEE CHART	moLEX MOLEX-JAPAN CO.,LTD. 日本モレックス株式会社
THICKNESS : (0.203)/.008		SEE CHART	
仕上げ FINISH		SEE CHART	EDP. NO.
適用電線範囲 WIRE RANGE		SEE CHART	SEE CHART
被覆外径 INS. RANGE		SEE CHART	ENG. NO. SHEET 2 OF 2 REV
DRAWN BY 9/5/08 H.HIRAMOTO		CHK'D BY 9/11/09 K.T.S.KUNISHI	SD-5556**** J
APPRO'D BY 9/11/09 M.FUKUSHIMA		尺度 SCALE 10 - 1	TITLE 名称 NEW MINI, FIT CONN. CRIMP RECEPTACLE

角度 ANGLE	±3°	H	SEE SHEET 1 OF 2	Y.K.S.K.	9/11/06
30°以上 OVER	±0.3	G	SEE SHEET 1 OF 2	Y.K.S.K.	9/11/06
10°以上 未過 UNDER 30°	±0.25	F	SEE SHEET 1 OF 2	H.H.	9/16/05
未過 UNDER 10°	±0.2	記号 LTR	変更内容 REVISION RECORD	DR. CHK.	日付 DATE
一般公差 GENERAL TOLERANCES					

REVISE ONLY ON CAD SYSTEM  
THIS DRAWING CONTAINS INFORMATION THAT IS PROPRIETARY TO MOLEX/JAPAN AND SHOULD NOT BE USED WITHOUT WRITTEN PERMISSION  
本図面は日本モレックス(株)の所有する情報を含むもので 当社の許可なく複製を禁止する。 MXJ-8

# 4.20mm (.165") Pitch Mini-Fit Plus™ Terminal

**46083**  
Crimp, Female



### Features and Benefits

- Post-plated contacts for superior electrical performance over time
- Reliable 2-point contact design for use in harsh applications or where vibration is expected

### Reference Information

Packaging: Reel or bag  
Use With: 5557, 30067, 42474 and 44516 housings  
Designed In: Millimeters

### Electrical

Voltage: 600V  
Current: When mating 2-circuit connectors

	16 AWG	18 AWG	20 AWG	22 AWG	24 AWG
Brass	9.0A	9.0A	7.0A	5.0A	4.0A
Phosphor Bronze	8.0A	8.0A	6.0A	4.0A	3.0A

Contact Resistance: 10 milliohms max.  
Dielectric Withstanding Voltage: 1500V  
Insulation Resistance: 1000 Megohms min.

### Mechanical

Contact Insertion Force: 1.5kg max.  
Contact Retention to Housing: 3.0kg min.  
Wire Pull-Out Force: 9.0kg min.  
Normal Force: 200g min.  
Durability: Tin—75 cycles  
Gold—100 cycles

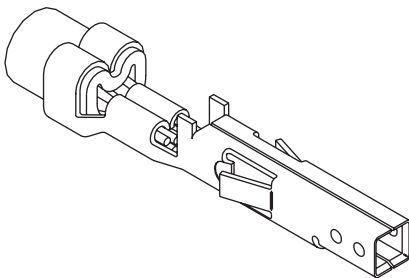
### Physical

Contact: Brass or Phosphor Bronze  
Plating: Tin or Select Gold  
Underplating: Nickel  
Operating Temperature: -40 to 105°C

Base Material	Plating Phos Bronze	Insulation Range	Wire Range AWG	Reel	Bag	Lead-free
Brass	Tin	2.20-3.15mm	16	<a href="#">46083-3111</a>	<a href="#">46083-3112</a>	Yes
		1.65-2.95mm	18-20	<a href="#">46083-1111</a>	<a href="#">46083-1112</a>	
		1.20-1.80mm	22-24	<a href="#">46083-2111</a>	<a href="#">46083-2112</a>	
	Select Gold	2.20-3.15mm	16	<a href="#">46083-3211</a>	<a href="#">46083-3212</a>	
		1.65-2.95mm	18-20	<a href="#">46083-1211</a>	<a href="#">46083-1212</a>	
		1.20-1.80mm	22-24	<a href="#">46083-2211</a>	<a href="#">46083-2212</a>	
Phosphor Bronze	Tin	2.20-3.15mm	16	<a href="#">46083-3121</a>	<a href="#">46083-3122</a>	
		1.65-2.95mm	18-20	<a href="#">46083-1121</a>	<a href="#">46083-1122</a>	
		1.20-1.80mm	22-24	<a href="#">46083-2121</a>	<a href="#">46083-2122</a>	
	Select Gold	2.20-3.15mm	16	<a href="#">46083-3221</a>	<a href="#">46083-3222</a>	
		1.65-2.95mm	18-20	<a href="#">46083-1221</a>	<a href="#">46083-1222</a>	
		1.20-1.80mm	22-24	<a href="#">46083-2221</a>	<a href="#">46083-2222</a>	

# 4.20mm (.165") Pitch Mini-Fit® Family Terminal

**5556**  
Crimp, Female



### Features and Benefits

- Four gas-tight points of contact on Tin-plated contacts

### Reference Information

Packaging: Reel or bag  
Use With: 5557, 30067 and 42474 housings  
Designed In: Millimeters

### Electrical

Voltage: 600V  
Current: 16 AWG—9.0A max.  
Contact Resistance: 10 milliohms max.  
Dielectric Withstanding Voltage: 1500V  
Insulation Resistance: 1000 Megohms min.

### Mechanical

Contact Insertion Force: 1.5kg max.  
Contact Retention to Housing: 3.0kg min.  
Wire Pull-Out Force: 9.0kg min.  
Normal Force: 200g min.  
Durability: 30 cycles

### Physical

Contact: Brass or Phosphor Bronze  
Plating: Pre-plated Tin  
Underplating: Copper  
Operating Temperature: -40 to 105°C

Contact Material	Wire Size (AWG)	Insulation Range	Order No. 5556		Lead-free
			Reel	Bag	
Brass	16	1.80-3.10 (.071-.122)	<a href="#">39-00-0077</a>	<a href="#">39-00-0078</a>	Yes
	18-24	1.30-3.10 (.051-.122)	<a href="#">39-00-0038</a>	<a href="#">39-00-0039</a>	
Phosphor Bronze	16	1.80-3.10 (.071-.122)	<a href="#">39-00-0079</a>	<a href="#">39-00-0080</a>	
	18-24	1.30-3.10 (.051-.122)	<a href="#">39-00-0059</a>	<a href="#">39-00-0060</a>	

