

Search: Go

My Parts (0 items)
[Register](#)
[Login](#)

- Product Name
 - Cross-Ref
 - Catalog
 - Literature
 - Industries
 - Standards
 - Contact Us
 - About Us
 - Investors
 - Careers
-
- Connectors
 - Sockets
 - I/O Connectors
 - Cable Assemblies
 - Fiber Optics
 - Printed Circuit Products
 - Automation and Electrical
 - And More...

Switch Language

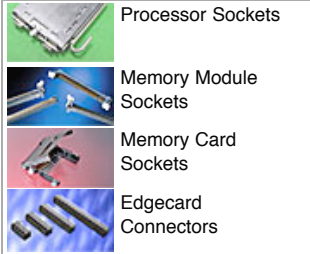
English

Need Assistance?

[Contact Us](#)
[Find a Distributor](#)
[Order Samples](#)
[Tech Library](#)

Printer-friendly page

Email this page



Processor Sockets
 Memory Module Sockets
 Memory Card Sockets
 Edgecard Connectors

Datasheet

0012021

Overview: **Mini-Fit Jr.™**

(.165") Pitch Mini-Fit Jr.™ Plug Housing, Dual Row, with Mount Ears, UL 94V-2, Panel Mount, 2 Circuits

Documents:

Note - Please disable browser pop-up blockers for documents on www.molex.com

- [Drawing \(PDF\)](#) [Product Specification PS-5557-003 \(PDF\)](#)
- [Product Specification PS-5557-012 \(PDF\)](#) [Product Specification PS-5557-013 \(PDF\)](#)
- [Product Specification PS-5557-016 \(PDF\)](#) [Product Specification PS-5557-042 \(PDF\)](#)
- [3D Model](#) [Related Catalog Page \(PDF\)](#)

Order Products:

[Check Distributor Inventory](#) [Add to My Parts](#)
[Request Samples](#)

Part Detail: [\(show all\)](#)

[General](#) [Physical](#) [Electrical](#) [Material Info](#)

General

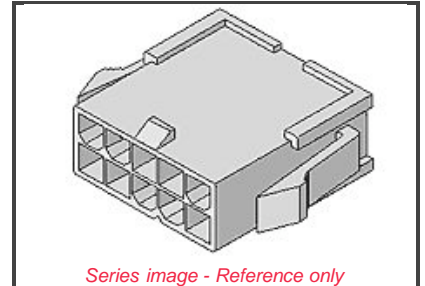
Product Family Crimp Housings
 Series [5559](#)
 Comments Glow Wire Equivalent Part Number [50361734](#)
 Not for use with Strain Relief
 Overview [Mini-Fit Jr.™](#)
 Product Name Mini-Fit Jr.™

Physical

Breakaway No
 Circuits (maximum) 2
 Color - Resin Natural
 Flammability 94V-2
 Gender Male
 Material - Resin Nylon
 Number of Rows 2
 Packaging Type Bag
 Panel Mount Yes
 Pitch - Mating Interface (in) 0.165 In
 Pitch - Mating Interface (mm) 4.20 mm
 Pitch - Term. Interface (in) 0.165 In
 Pitch - Term. Interface (mm) 4.20 mm
 Polarized to Mating Part Yes
 Stackable No
 Temperature Range - Operating -40°C to +105°C

Electrical

CSA LR19980
 TUV R75142
 UL E29179



EU RoHS

ELV and RoHS Compliant

China RoHS



Need more information on product compliance?

Email productcompliance@molex.com

Please visit the [Contact Us](#) section for any non-product compliance questions.

Search Parts in this Series

[5559](#) Series

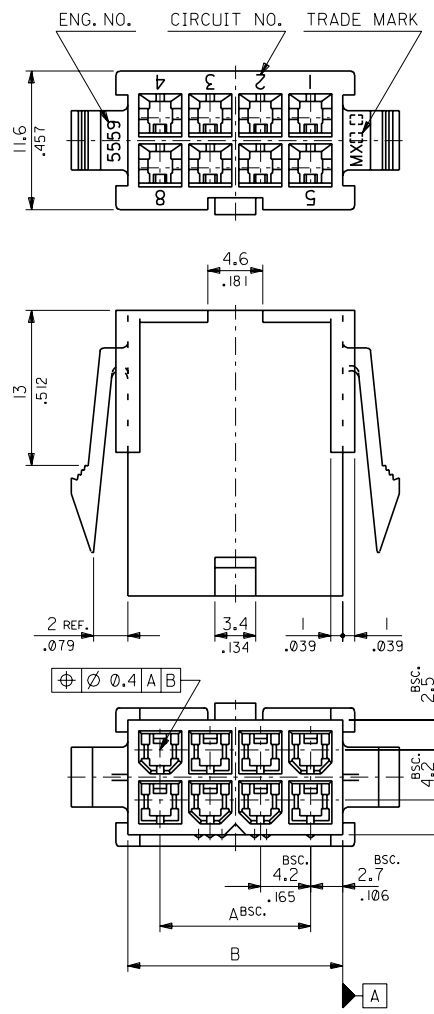
Mates With

[5557d](#) Receptacle Housing

Use With

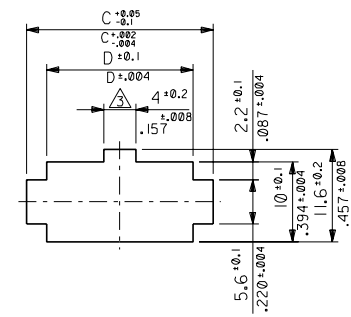
[5558](#), [44478](#), [30490](#), [41995](#)

ENG. NO. SD-5559-NP
EDP NO. 39-01-2-1
DIMENSIONS IN METRIC DO NOT SCALE DRAWING

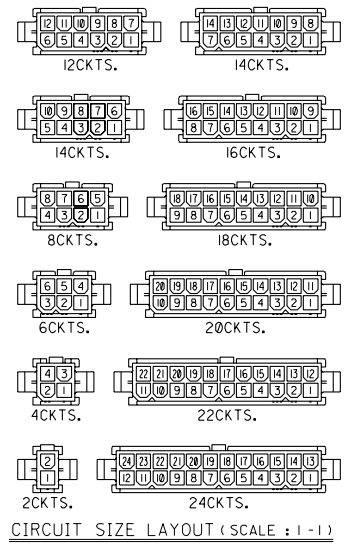


NOTES

1. TERMINAL : 5558 SERIES
2. MATES WITH : 5557-NR
- △ THIS DIMENSION IS ALLOWABLE UP TO "D" DIMENSION IN CASE OF 2 CIRCUITS.
4. PANEL HOLE TO BE PUNCHED OUT IN THE SAME DIRECTION AS INSERTION INTO THE PANEL.



RECOMMENDED PANEL HOLE DIMENSION (THICKNESS : 0.8-2.0(.032-.079))



52.1/2.051	57.0/2.244	51.6/2.031	46.2/1.819	39-01-2241	5559-24P	24
47.9/1.886	52.8/2.079	47.4/1.866	42.0/1.654	▲ -2221	▲ -22P	22
43.7/1.720	48.6/1.913	43.2/1.701	37.8/1.488	-2201	-20P	20
39.5/1.555	44.4/1.748	39.0/1.535	33.6/1.323	-2181	-18P	18
35.3/1.390	40.2/1.583	34.8/1.370	29.4/1.158	-2161	-16P	16
31.1/1.224	36.0/1.417	30.6/1.205	25.2/.992	-2141	-14P	14
26.8/1.055	31.8/1.252	26.4/1.039	21.0/.827	-2121	-12P	12
22.6/.890	27.6/1.087	22.2/.874	16.8/.661	-2101	-10P	10
18.4/.724	23.4/.921	18.0/.709	12.6/.496	-2081	-08P	8
14.2/.559	19.2/.756	13.8/.543	8.4/.331	-2061	-06P	6
10.0/.394	15.0/.591	9.6/.378	4.2/.165	▼ -2041	▼ -04P	4
5.8/.228	10.8/.425	5.4/.213	—	39-01-2021	5559-02P	2
D	C	B	A	EDP NO.	ENG. NO.	CIRCUIT

材料 MATERIAL				MOLEX-JAPAN CO.,LTD. 日本モレックス株式会社	
NYLON 66, UL94V-2				EDP NO. 39-01-2-1	
仕上げ FINISH				ENG. NO. SD-5559-NP	
適用電線範囲 WIRE RANGE				REV C	
被覆外径 INS. RANGE				TITLE 名称 NEW MINI, FIT CONNECTOR CRIMP PIN HOUSING	
角度 ANGLE	13°	DRAWN BY 88/10/H		CHK'D BY 88/10/Z	
30°以上 OVER	10.4	H.HIRAMOTO		Y.YAMADA	
10°以上 未過 UNDER	10.2	REVISOR 変更内容		APP'D BY 88/10/Z	
10° UNDER	10.2	REVISION RECORD		DATE 88/10/11	
一般公差 GENERAL TOLERANCES	REVISE ONLY ON CAD SYSTEM		M.ENOMOTO		尺度 SCALE 3-1

THIS DRAWING CONTAINS INFORMATION THAT IS PROPRIETARY TO MOLEX/JAPAN AND SHOULD NOT BE USED WITHOUT WRITTEN PERMISSION. 本図面は日本モレックス(株)の所有する情報を含むもので 当社の許可なく複製を禁止する。 MXJ-8