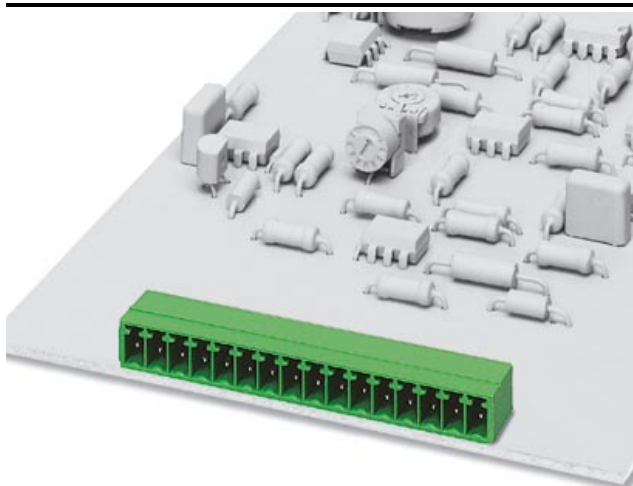


Please note that the data given here has been taken from the online catalog. For comprehensive information and data, please refer to the user documentation at <http://www.download.phoenixcontact.com>. The General Terms and Conditions of Use apply to Internet downloads.

## ▶ Extract from the online catalog



Header, nominal current: 8 A, rated voltage: 160 V,  
pitch: 3.5 mm, no. of positions: 4, mounting: Soldering

The illustration shows a 16-position version

|                          |                    |
|--------------------------|--------------------|
| Order No.                | 1844236            |
| Ord designation          | MC 1,5/ 4-G-3,5    |
| EAN                      | 4017918113278      |
| Pack                     | 50 Pcs.            |
| Customs tariff           | 85369010           |
| Catalog page information | Page 108 (CC-2005) |

## ▶ Product notes

WEEE/RoHS-compliant since: 01/01/2003



## ▶ Technical data

### Dimensions / positions

|                     |              |
|---------------------|--------------|
| Pitch               | 3.5 mm       |
| Dimension a         | 10.5 mm      |
| Number of positions | 4            |
| Pin dimensions      | 0,8 x 0,8 mm |
| Hole diameter       | 1.2 mm       |

**Technical data**

|                                    |        |
|------------------------------------|--------|
| Insulating material group          | IIIa   |
| Rated surge voltage (III/3)        | 2.5 kV |
| Rated surge voltage (III/2)        | 2.5 kV |
| Rated surge voltage (II/2)         | 2.5 kV |
| Rated voltage (III/2)              | 160 V  |
| Rated voltage (II/2)               | 250 V  |
| Connection in acc. with standard   | EN-VDE |
| Nominal current $I_N$              | 8 A    |
| Nominal voltage $U_N$              | 160 V  |
| Maximum load current               | 8 A    |
| Insulating material                | PBT    |
| Inflammability class acc. to UL 94 | V0     |

---

## ► Certificates

---

### Certificate logos



---

#### CSA

|                       |       |
|-----------------------|-------|
| Nominal voltage $U_N$ | 300 V |
| Nominal current $I_N$ | 8 A   |

---

#### CUL

|                       |                                       |
|-----------------------|---------------------------------------|
| Comments              | all numbers of positions are accepted |
| Nominal voltage $U_N$ | 300 V                                 |
| Nominal current $I_N$ | 8 A                                   |
| Nominal voltage $U_N$ | 250 V                                 |
| Nominal current $I_N$ | 8 A                                   |

---

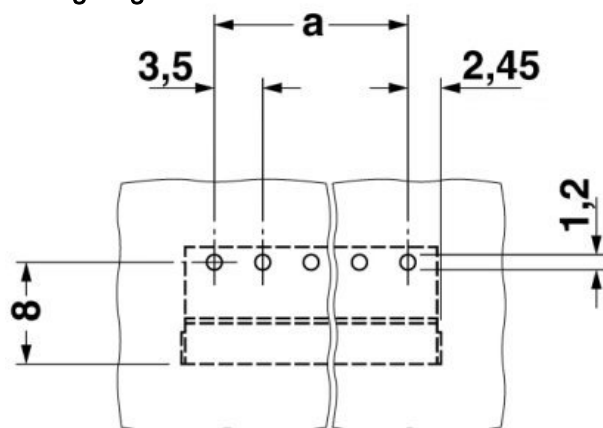
#### UL

|                       |       |
|-----------------------|-------|
| Nominal voltage $U_N$ | 300 V |
| Nominal current $I_N$ | 8 A   |
| Nominal voltage $U_N$ | 250 V |
| Nominal current $I_N$ | 8 A   |

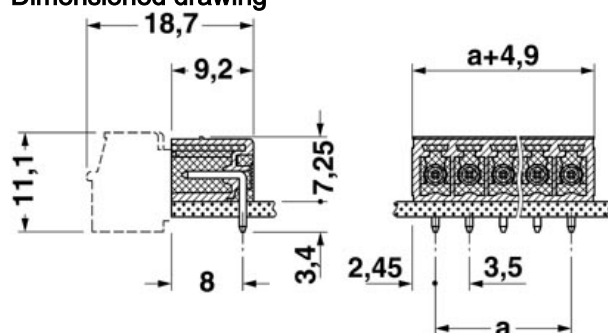
---

## ▶ Drawings

Drilling diagram



Dimensioned drawing



---

**► Accessories**

---

| Item                | Designation             | Description   |
|---------------------|-------------------------|---|
| <b>General</b>      |                         |   |
| 1841161             | MC 1,5/10-LWL 1,5-3,5   | MINI-COMBICON optical fibers, pitch 3.5 mm, 10-position, divisible, are snapped into the back of the MC header, color: transparent, dimension a: 1.5 mm |
| 1841187             | MC 1,5/10-LWL 2,3-3,5   | MINI-COMBICON optical fibers, pitch 3.5 mm, 10-position, divisible, are snapped into the back of the MC header, color: transparent, dimension a: 2.3 mm |
| 1841200             | MC 1,5/10-LWL 4-3,5     | MINI-COMBICON optical fibers, pitch 3.5 mm, 10-position, divisible, are snapped into the back of the MC header, color: transparent, dimension a: 4.0 mm |
| <b>Marking</b>      |                         |   |
| 0804073             | SK 3,5/2,8:FORTL.ZAHLEN |   |
| <b>Plug/Adapter</b> |                         |   |
| 1734634             | CP-MSTB                 | Coding section, is inserted into the slot on the plug or inverted header, red insulating material   |

---

---

**► Additional products**

---

| Item           | Designation        | Description  |
|----------------|--------------------|--|
| <b>General</b> |                    |  |
| 1840382        | MC 1,5/ 4-ST-3,5   | Plug component, nominal current: 8 A, rated voltage: 160 V, pitch: 3.5 mm, no. of positions: 4, type of connection: Screw connection |
| 1863178        | MCVR 1,5/ 4-ST-3,5 | Plug component, nominal current: 8 A, rated voltage: 160 V, pitch: 3.5 mm, no. of positions: 4, type of connection: Screw connection |
| 1862878        | MCVW 1,5/ 4-ST-3,5 | Plug component, nominal current: 8 A, rated voltage: 160 V, pitch: 3.5 mm, no. of positions: 4, type of connection: Screw connection |

---

---

## ► Address

---

PHOENIX CONTACT GmbH & Co. KG  
Flachsmarktstr. 8  
32825 Blomberg  
Germany  
Phone +49 5235 3 00  
Fax +49 5235 3 41200  
<http://www.phoenixcontact.com>  
Phoenix Contact  
Technical modifications reserved;