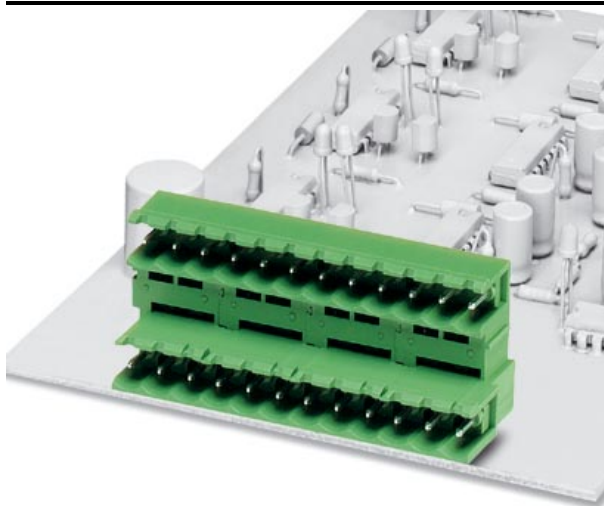


Please note that the data given here has been taken from the online catalog. For comprehensive information and data, please refer to the user documentation at <http://www.download.phoenixcontact.com>. The General Terms and Conditions of Use apply to Internet downloads.

## ► Extract from the online catalog



Header, nominal current: 10 A, rated voltage: 320 V, pitch: 5.0 mm, no. of positions: 2, mounting: Soldering

The illustration shows a 12-position version

Order No.	1762046
Ord designation	MDSTB 2,5/ 2-G
EAN	4017918030964
Pack	50 Pcs.
Customs tariff	85369010
Catalog page information	Page 172 (CC-2005)

## ► Technical data

### Dimensions / positions

Pitch	5 mm
Dimension a	5 mm
Number of positions	2
Pin dimensions	1 x 1 mm
Hole diameter	1.4 mm

**Technical data**

---

Insulating material group	I
Rated surge voltage (III/3)	4 kV
Rated surge voltage (III/2)	4 kV
Rated surge voltage (II/2)	4 kV
Rated voltage (III/2)	320 V
Rated voltage (II/2)	630 V
Connection in acc. with standard	EN-VDE
Nominal current $I_N$	10 A
Nominal voltage $U_N$	320 V
Maximum load current	10 A
Insulating material	PBT
Inflammability class acc. to UL 94	V0

---

---

## ► Certificates

---

### Certificate logos



---

#### UL

Nominal voltage $U_N$	300 V
Nominal current $I_N$	10 A

---

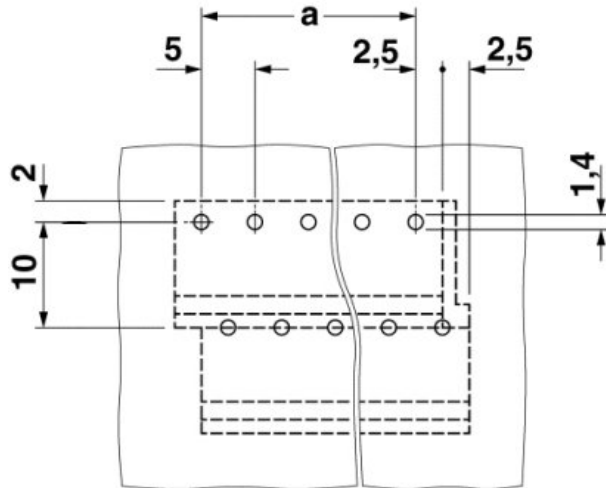
#### CSA

Nominal voltage $U_N$	300 V
Nominal current $I_N$	10 A

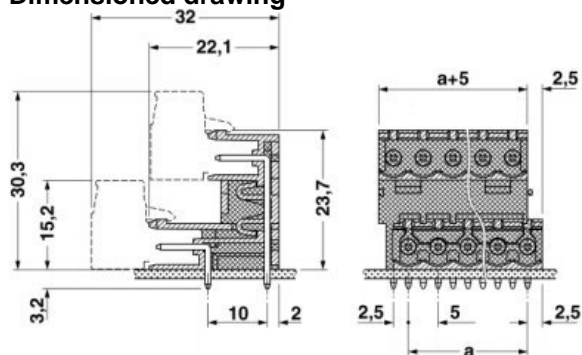
---

► Drawings

Drilling diagram



Dimensioned drawing



## ► Accessories

Item	Designation	Description
<b>Assembly</b>		
1806588	MDSTB 2,5-AS	Ejectors, for assembly on each side of the header
1786679	MDSTB-SE	Side element, for lateral sealing of MSTB headers, 2.54 mm thick, color: Green
1755477	MSTB-BL	Keying cap, for forming sections, plugs onto header pin, green insulating material
<b>General</b>		
1736771	MDSTB 2,5/ 2-GFL-5,08	Header, nominal current: 10 A, rated voltage: 320 V, pitch: 5.08 mm, no. of positions: 2, mounting: Soldering
1736768	MDSTB 2,5/ 2-GFR-5,08	Header, nominal current: 10 A, rated voltage: 320 V, pitch: 5.08 mm, no. of positions: 2, mounting: Soldering
<b>Marking</b>		
0804183	SK 5/3,8:FORTL.ZAHLEN	Marker card, printed horizontally, self-adhesive, 12 identical decades marked 1-10, 11-20 etc. up to 91-(99)100, sufficient for 120 terminal blocks
<b>Plug/Adapter</b>		
1734401	CR-MSTB	Coding element, inserted into the recess in the header or the inverted plug, red insulating material

---

**► Additional products**

---

Item	Designation	Description
<b>Assembly</b> 1909210	FKCT 2,5/ 2-ST	Plug component, nominal current: 12 A, rated voltage: 250 V, pitch: 5.0 mm, no. of positions: 2, type of connection: Spring-cage connection

---

**General**

1910351	FKC 2,5/ 2-ST	Plug component, nominal current: 12 A, rated voltage: 250 V, pitch: 5.0 mm, no. of positions: 2, type of connection: Spring-cage connection
1910526	FKC 2,5/ 2-STF	Plug component, nominal current: 12 A, rated voltage: 250 V, pitch: 5.0 mm, no. of positions: 2, type of connection: Spring-cage connection
1909401	FKCT 2,5/ 2-STF	Plug component, nominal current: 12 A, rated voltage: 250 V, pitch: 5.0 mm, no. of positions: 2, type of connection: Spring-cage connection
1909715	FKCVR 2,5/ 2-ST	Plug component, nominal current: 12 A, rated voltage: 250 V, pitch: 5.0 mm, no. of positions: 2, type of connection: Spring-cage connection
1909883	FKCVR 2,5/ 2-STF	Plug component, nominal current: 12 A, rated voltage: 250 V, pitch: 5.0 mm, no. of positions: 2, type of connection: Spring-cage connection
1910034	FKCVW 2,5/ 2-ST	Plug component, nominal current: 12 A, rated voltage: 250 V, pitch: 5.0 mm, no. of positions: 2, type of connection: Spring-cage connection
1910209	FKCVW 2,5/ 2-STF	Plug component, nominal current: 12 A, rated voltage: 250 V, pitch: 5.0 mm, no. of positions: 2, type of connection: Spring-cage connection
1779411	FRONT-MSTB 2,5/ 2-ST	Plug component, nominal current: 12 A, rated voltage: 320 V, pitch: 5.0 mm, no. of positions: 2, type of connection: Screw connection
1779644	FRONT-MSTB 2,5/ 2-STF	Plug with screw flange, nominal current: 12 A, rated voltage: 320 V, pitch: 5,0 mm, no. of positions: 2, type of connection: Screw connection
1754449	MSTB 2,5/ 2-ST	Plug component, nominal current: 12 A, rated voltage: 250 V, pitch: 5.0 mm, no. of positions: 2, type of connection: Screw connection
1786831	MSTB 2,5/ 2-STF	Plug component, nominal current: 12 A, rated voltage: 250 V, pitch: 5.0 mm, no. of positions: 2, type of connection: Screw connection
1765771	MSTBP 2,5/ 2-ST	Plug component, nominal current: 12 A, rated voltage: 250 V, pitch: 5.0 mm, no. of positions: 2, type of connection: Screw connection
1779835	MSTBT 2,5/ 2-ST	Plug component, nominal current: 12 A, rated voltage: 250 V, pitch: 5.0 mm, no. of positions: 2, type of connection: Screw connection
1792016	MVSTBR 2,5/ 2-ST	Plug component, nominal current: 12 A, rated voltage: 250 V, pitch: 5.0 mm, no. of positions: 2, type of connection: Screw connection
1835478	MVSTBR 2,5/ 2-STF	Plug with screw flange, nominal current: 12 A, rated voltage: 250 V, pitch: 5,0 mm, no. of positions: 2, type of connection: Screw connection
1792524	MVSTBW 2,5/ 2-ST	Plug component, nominal current: 12 A, rated voltage: 250 V, pitch: 5.0 mm, no. of positions: 2, type of connection: Screw connection
1835287	MVSTBW 2,5/ 2-STF	Plug component, nominal current: 12 A, rated voltage: 250 V, pitch: 5.0 mm, no. of positions: 2, type of connection: Screw connection

## MDSTB 2,5/ 2-G



---

1768765 SMSTB 2,5/ 2-ST

Plug component, nominal current: 12 A, rated voltage: 250 V,  
pitch: 5.0 mm, no. of positions: 2, type of connection: Screw  
connection

---



## ► Address

---

PHOENIX CONTACT GmbH & Co. KG  
Flachsmarktstr. 8  
32825 Blomberg  
Germany  
Phone +49 5235 3 00  
Fax +49 5235 3 1200  
<http://www.phoenixcontact.com>  
Phoenix Contact  
Technical modifications reserved;