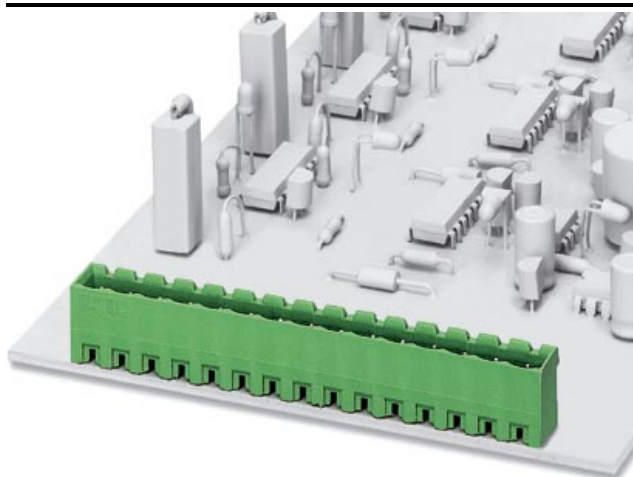


Please note that the data given here has been taken from the online catalog. For comprehensive information and data, please refer to the user documentation at <http://www.download.phoenixcontact.com>. The General Terms and Conditions of Use apply to Internet downloads.

► Extract from the online catalog



Header, nominal current: 12 A, rated voltage: 250 V,
pitch: 5.0 mm, no. of positions: 7, mounting:
Soldering

The illustration shows a 15-position version

Order No.	1755561
Ord designation	MSTBVA 2,5/ 7-G
EAN	4017918029142
Pack	50 Pcs.
Customs tariff	85369010
Catalog page information	Page 168 (CC-2005)

► Technical data

Dimensions / positions

Pitch	5 mm
Dimension a	30 mm
Number of positions	7
Pin dimensions	1 x 1 mm
Hole diameter	1.4 mm

Technical data

Insulating material group	IIIa
Rated surge voltage (III/3)	4 kV
Rated surge voltage (III/2)	4 kV
Rated surge voltage (II/2)	4 kV
Rated voltage (III/2)	320 V
Rated voltage (II/2)	400 V
Connection in acc. with standard	EN-VDE
Nominal current I_N	12 A
Nominal voltage U_N	250 V
Maximum load current	12 A
Insulating material	PBT
Inflammability class acc. to UL 94	V0

► Certificates

CSA

Nominal voltage U_N	300 V
Nominal current I_N	10 A

CUL

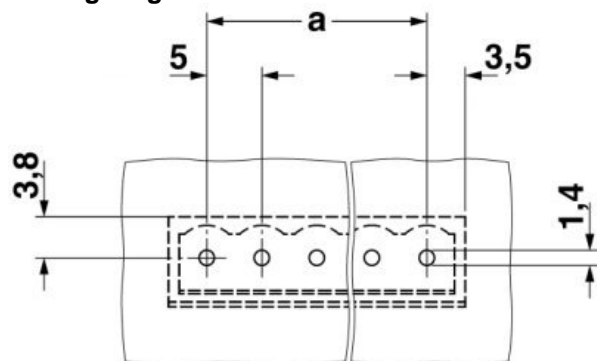
Nominal voltage U_N	300 V
Nominal current I_N	10 A
Nominal voltage U_N	250 V
Nominal current I_N	10 A

UL

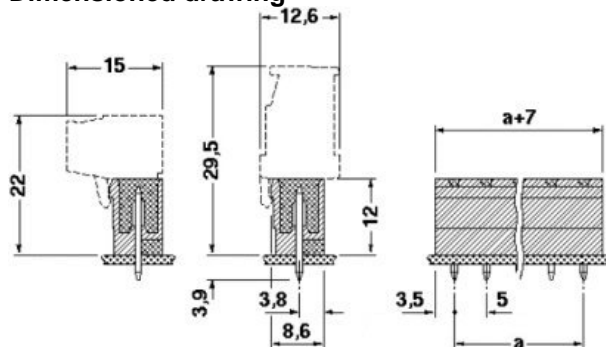
Nominal voltage U_N	300 V
Nominal current I_N	10 A
Nominal voltage U_N	250 V
Nominal current I_N	10 A

► Drawings

Drilling diagram



Dimensioned drawing



Approval logo



► Accessories

Item	Designation	Description
Assembly		
1755477	MSTB-BL	Keying cap, for forming sections, plugs onto header pin, green insulating material
Marking		
0804183	SK 5/3,8:FORTL.ZAHLEN	Marker card, printed horizontally, self-adhesive, 12 identical decades marked 1-10, 11-20 etc. up to 91-(99)100, sufficient for 120 terminal blocks
Plug/Adapter		
1734401	CR-MSTB	Coding element, inserted into the recess in the header or the inverted plug, red insulating material

► Additional products

Item	Designation	Description
Assembly		
1909265	FKCT 2,5/ 7-ST	Plug component, nominal current: 12 A, rated voltage: 250 V, pitch: 5.0 mm, no. of positions: 7, type of connection: Spring-cage connection
General		
1910403	FKC 2,5/ 7-ST	Plug component, nominal current: 12 A, rated voltage: 250 V, pitch: 5.0 mm, no. of positions: 7, type of connection: Spring-cage connection
1909760	FKCVR 2,5/ 7-ST	Plug component, nominal current: 12 A, rated voltage: 250 V, pitch: 5.0 mm, no. of positions: 7, type of connection: Spring-cage connection
1910089	FKCVW 2,5/ 7-ST	Plug component, nominal current: 12 A, rated voltage: 250 V, pitch: 5.0 mm, no. of positions: 7, type of connection: Spring-cage connection
1779466	FRONT-MSTB 2,5/ 7-ST	Plug component, nominal current: 12 A, rated voltage: 320 V, pitch: 5.0 mm, no. of positions: 7, type of connection: Screw connection
1754546	MSTB 2,5/ 7-ST	Plug component, nominal current: 12 A, rated voltage: 250 V, pitch: 5.0 mm, no. of positions: 7, type of connection: Screw connection
1765823	MSTBP 2,5/ 7-ST	Plug component, nominal current: 12 A, rated voltage: 250 V, pitch: 5.0 mm, no. of positions: 7, type of connection: Screw connection
1779880	MSTBT 2,5/ 7-ST	Plug component, nominal current: 12 A, rated voltage: 250 V, pitch: 5.0 mm, no. of positions: 7, type of connection: Screw connection
1792061	MVSTBR 2,5/ 7-ST	Plug component, nominal current: 12 A, rated voltage: 250 V, pitch: 5.0 mm, no. of positions: 7, type of connection: Screw connection
1792579	MVSTBW 2,5/ 7-ST	Plug component, nominal current: 12 A, rated voltage: 250 V, pitch: 5.0 mm, no. of positions: 7, type of connection: Screw connection
1768817	SMSTB 2,5/ 7-ST	Plug component, nominal current: 12 A, rated voltage: 250 V, pitch: 5.0 mm, no. of positions: 7, type of connection: Screw connection

► Address

PHOENIX CONTACT GmbH & Co. KG
Flachsmarktstr. 8
32825 Blomberg
Germany
Phone +49 5235 3 00
Fax +49 5235 3 41200
<http://www.phoenixcontact.com>
Phoenix Contact
Technical modifications reserved;