

LEGEND
 87758-****
 CKT SIZE (SEE SHT 2 TABLE) PLATING (SEE NOTE 2)

NOTES:

1. MATERIAL:
 HOUSING: 30% G.F. NYLON 46, 94V-0, COLOR: BLACK
 PIN: 0.50mm SQ. PHOSPHOR BRONZE 510
2. PLATING:
 **16 - 0.38um MIN GOLD IN CONTACT AREA,
 TIN IN SOLDER AREA, BOTH OVER NICKEL OVERALL.
 **17 - 0.76um MIN GOLD IN CONTACT AREA,
 TIN IN SOLDER AREA, BOTH OVER NICKEL OVERALL.
3. 12 CKT USED FOR ILLUSTRATION ONLY
4. PACKED IN POCKET TRAY
5. PIN PUSHOUT FORCE: 1KG MIN IN EITHER DIRECTION
6. CKT 4 AND 6 IS CUT FROM CKT 8 AND 12 RESPECTIVELY.
 CKT 2 ARE CUT FROM ANY LARGER CKT SIZE. ROUGH EDGES ARE EXPECTED ALONG THE CUTTING EDGES.
7. PRODUCT SPEC PS-87761-100 APPLIES.
8. RECOMMENDED PCB THICKNESS IS 1.60±0.10

$\phi 0.71 \pm 0.07$
 $\phi 0.30 \pm 0.01$



VIEW P

$\phi 0.71 \pm 0.07$
 $\phi 0.30 \pm 0.01$

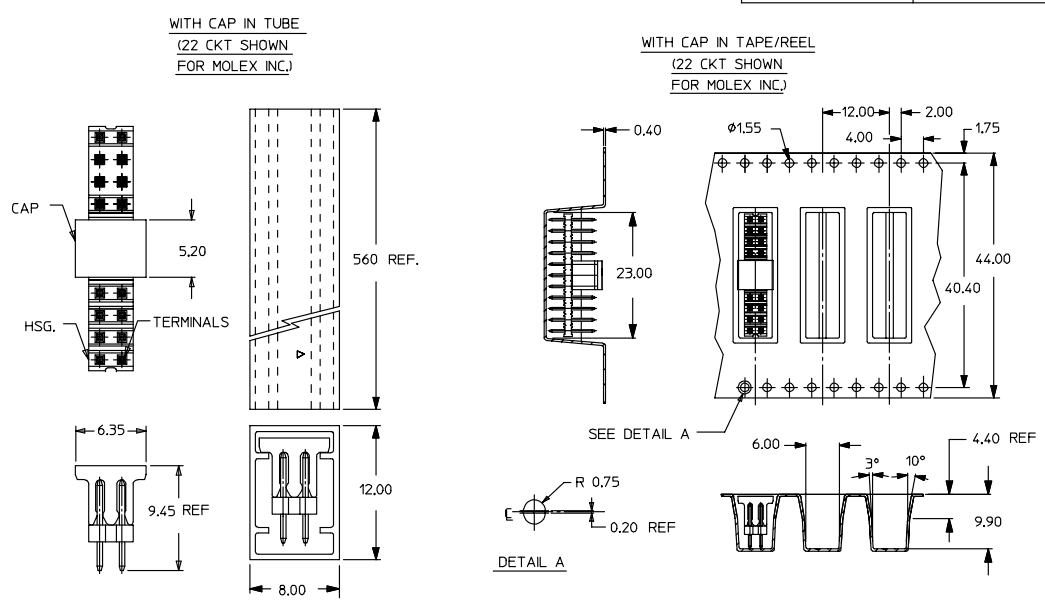


VIEW Q

EC NO: S2004-0215 DRW/KSEE: 2004/01/20 CHK/KCLING: 2004/01/20 APPR/SKTOH: 2004/01/20	QUALITY SYMBOLS	GENERAL TOLERANCES (UNLESS SPECIFIED)	SCALE NTS	DESIGN UNITS METRIC	THIRD ANGLE PROJECTION	REVISE ON CAD ONLY															
	0 0	<table border="1"> <tr> <th></th> <th>mm</th> <th>INCH</th> </tr> <tr> <td>4 PLACES</td> <td>± ---</td> <td>± ---</td> </tr> <tr> <td>3 PLACES</td> <td>± ---</td> <td>± ---</td> </tr> <tr> <td>2 PLACES</td> <td>± 0.20</td> <td>± ---</td> </tr> <tr> <td>1 PLACE</td> <td>± ---</td> <td>± ---</td> </tr> </table>		mm	INCH	4 PLACES	± ---	± ---	3 PLACES	± ---	± ---	2 PLACES	± 0.20	± ---	1 PLACE	± ---	± ---	DIMENSION STYLE MM ONLY	TITLE	2MM DUAL ROW SINGLE WAFER, VERTICAL THROUGH HOLE HEADER	
			mm	INCH																	
		4 PLACES	± ---	± ---																	
3 PLACES	± ---	± ---																			
2 PLACES	± 0.20	± ---																			
1 PLACE	± ---	± ---																			
DRAFT WHERE APPLICABLE MUST REMAIN WITHIN DIMENSIONS	DRAWN BY: KSEE DATE: 2003/10/30 CHECKED BY: KCLING DATE: 2004/01/05 APPROVED BY: SKTOH DATE: 2004/01/05	MOLEX INCORPORATED MATERIAL NO. SEE TABLE DOCUMENT NO. SD-87758-107 SHEET NO. 1 OF 2																			
REV A	THIS DRAWING CONTAINS INFORMATION THAT IS PROPRIETARY TO MOLEX INCORPORATED AND SHOULD NOT BE USED WITHOUT WRITTEN PERMISSION																				

PART NUMBER	CKT SIZE	A	B
87758-02**	2	NA	NA
87758-04**	4	NA	2.00
87758-06**	6	NA	4.00
87758-08**	8	7.90	6.00
87758-10**	10	9.90	8.00
87758-12**	12	11.90	10.00
87758-14**	14	13.90	12.00
87758-16**	16	15.90	14.00
87758-18**	18	17.90	16.00
87758-20**	20	19.90	18.00
87758-22**	22	21.90	20.00
87758-24**	24	23.90	22.00
87758-26**	26	25.90	24.00
87758-28**	28	27.90	26.00
87758-30**	30	29.90	28.00
87758-32**	32	31.90	30.00
87758-34**	34	33.90	32.00
87758-36**	36	35.90	34.00
87758-38**	38	37.90	36.00
87758-40**	40	39.90	38.00
87758-42**	42	41.90	40.00
87758-44**	44	43.90	42.00
87758-46**	46	45.90	44.00
87758-48**	48	47.90	46.00
87758-50**	50	49.90	48.00

87758	
PART NO. WITH CAP IN TUBE	PART NO. WITH CAP IN TAPE/REEL
(22 CKT SHOWN, FOR MOLEX INC.)	
87089-5126	87089-5111



EC NO: S2004-0215 DRWN:KSEE 2004/01/20 CHCK:KCLING 2004/01/20 APPR:SKTOH 2004/01/20	QUALITY SYMBOLS	GENERAL TOLERANCES (UNLESS SPECIFIED)	SCALE NTS	DESIGN UNITS METRIC	THIRD ANGLE PROJECTION	REVISE ON CAD ONLY										
	▽ 0	<table border="1"> <tr><th>mm</th><th>INCH</th></tr> <tr><td>4 PLACES ± .---</td><td>± .---</td></tr> <tr><td>3 PLACES ± .---</td><td>± .---</td></tr> <tr><td>2 PLACES ± 0.20</td><td>± .---</td></tr> <tr><td>1 PLACE ± .---</td><td>± .---</td></tr> </table>	mm	INCH	4 PLACES ± .---	± .---	3 PLACES ± .---	± .---	2 PLACES ± 0.20	± .---	1 PLACE ± .---	± .---	DIMENSION STYLE MM ONLY	TITLE	2MM DUAL ROW SINGLE WAFER, VERTICAL THROUGH HOLE HEADER	
	mm	INCH														
	4 PLACES ± .---	± .---														
3 PLACES ± .---	± .---															
2 PLACES ± 0.20	± .---															
1 PLACE ± .---	± .---															
▽ 0	ANGULAR ± 3°	DRAFT WHERE APPLICABLE MUST REMAIN WITHIN DIMENSIONS	DRAWN BY KSEE DATE 2003/10/30 CHECKED BY KCLING DATE 2004/01/05 APPROVED BY SKTOH DATE 2004/01/05	MOLEX INCORPORATED MATERIAL NO. SEE TABLE DOCUMENT NO. SD-87758-107 SHEET NO. 2 OF 2	THIS DRAWING CONTAINS INFORMATION THAT IS PROPRIETARY TO MOLEX INCORPORATED AND SHOULD NOT BE USED WITHOUT WRITTEN PERMISSION											
REV A																

tb_frame_B rev. B1 2000/08/01