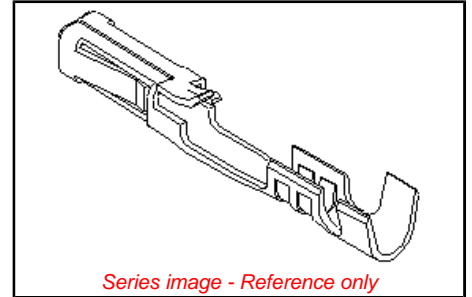


**Part Number:** [0016020102](#)  
**Status:** **Active**  
**Overview:** [SL](#)  
**Description:** SL™ Crimp Terminal, Series 70058, Female, with Tin (Sn) Plated Contact, 22-24 AWG, Bag



### General

Product Family	Crimp Terminals
Series	70058
Overview	<a href="#">SL</a>
Product Name	SL™

### Physical

Gender	Female
Material - Metal	Phosphor Bronze
Material - Plating Mating	Tin
Material - Plating Termination	Tin
Packaging Type	Bag
Plating min: Mating (µin)	150
Plating min: Mating (µm)	3.75
Plating min: Termination (µin)	75.2
Plating min: Termination (µm)	1.88
Termination Interface: Style	Crimp or Compression
Wire Insulation Diameter	1.63mm (.064") max.
Wire Size AWG	22
Wire Size AWG	24
Wire Size mm²	N/A

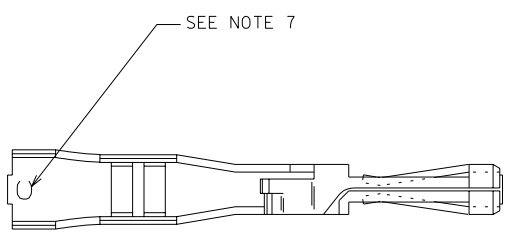
### Material Info

Old Part Number	70058-0222
-----------------	------------

**EU RoHS**  
**ELV and RoHS**  
**Compliant**

**China RoHS**





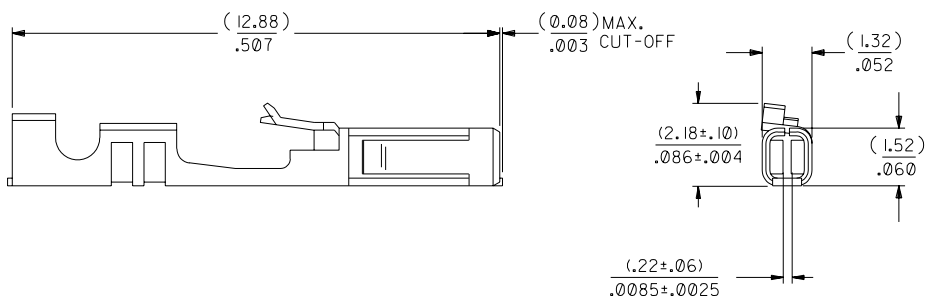
**NOTES:**

1. TERMINAL TO BE USED IN HOUSINGS 70066-\*\*\*\* AND 70450-\*\*\*\*
2. REFER TO PRODUCT SPECIFICATION PS-70058
3. REFER TO MOLEX OPERATIONS AND SERVICE MANUAL FOR CRIMP DETAILS
4. TERMINAL TO BE USED WITH (0.64)/.025 SQUARE PINS
5. TERMINAL TO BE USED WITH 22-24 AWG STRANDED WIRE WITH (1.63)/.064 MAX. DIA. INSULATION
6. TERMINALS SUPPLIED LOOSE PER DRAWING PK-70873-0822
7. CRIMP SIZE INDICATOR C=22-24 AWG

\*THE PRIMARY SHIPPING CARTON WILL BE LABELED \*COMPLIANT TO RoHS DIRECTIVE 2002/95/EC AND ELV ANNEX II OF DIRECTIVE 2000/53/EC\*. CARTONS WITHOUT THIS LABEL MAY CONTAIN PRODUCT WITH LEAD.

**PLATING:**

.000150 MIN. TIN PLATE  
OVER NICKEL PLATE.



D	LEAD FREE UCP2004-1769 RWHITE 04/03/11	C1	REVISED PER ECR #U70928 MCCRATH 97/06/26
C3	ADD CRP SIZE&NOTE 7 ECN UDT1998-0183 MOWANG 04/17/98	C	164 PLATING WAS 102 PER ECR # U31149 08/17/93 REED
C2	REVISED ECR #U80270 MCCRATH 97/07/31	B	REDRAWN & REVISED PER ECR #U81133 03/02/88 MJM/JAS
LTR.	REVISIONS	LTR.	REVISIONS

DIMENSIONS SHOWN (METRIC) INCH  
UNLESS OTHERWISE SPECIFIED  
TOLERANCES: ANGULAR ± 1/2°

	INCH	METRIC
3 PLACE	± .005	---
2 PLACE	± .01	± 0.13
1 PLACE	---	± 0.25

DRAFT WHERE APPLICABLE MUST  
REMAIN WITHIN DIMENSIONS

DRWG. BY: JAS	CHK'D. BY: MJM
APP'D. BY: WAZ	SCALE: 10:1

REVISIONS ONLY ON CAD SYSTEM

TITLE: TERMINAL - BOX/CRIMP

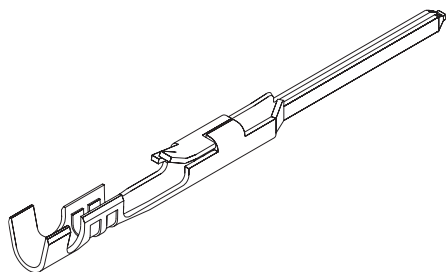
MOLEX INCORPORATED  
LITSE,ILL. 60932 U.S.A.

SHEET NO. 1 OF 1  
DATE 03/02/88

PART NO. 016-02-0102  
DRWG. NO. SD-70058-0222

FILE NAME: S70058C4 DGN  
THIS DRAWING CONTAINS INFORMATION THAT IS PROPRIETARY TO MOLEX INC. AND SHOULD NOT BE USED WITHOUT WRITTEN PERMISSION.

DIV. DA  
SIZE B

**2.54mm (.100") Pitch****SL™****Terminal****70021****Male, Crimp****Features and Benefits**

- Dual tab strain relief
- Locking tang secures terminal in housing

**Reference Information**

Product Specification: PS-70021  
 Packaging: Reel or bag  
 Mates With: 70058 and 71851 female crimp terminals,  
 and 70400 and 70430 connector assemblies  
 Use With: 70066D and 70107 housings  
 Designed In: Inches

**Electrical**

Voltage: 250V  
 Current: 3.0A  
 Contact Resistance: 15 milliohms max.  
 Insulation Resistance: 10,000 Megohms min.

**Mechanical**

Wire Pull-Out Force: 17.79N (4.0 lb) min.  
 Durability: Tin—25 cycles; Gold—50 cycles

**Physical**

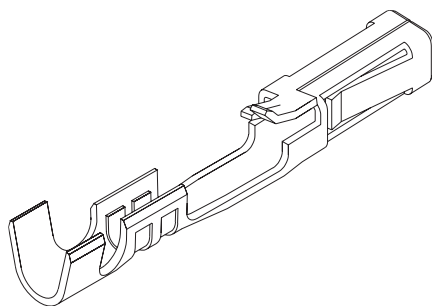
Contact: Copper Alloy  
 Plating: See Table  
 Operating Temperature: -40 to +105°C  
 Wire Gauge: 22 to 24 and 24 to 30 AWG

**Not For Use With C-Grid III™ Components**

Reel				
Order No.	Plating	Wire Range (AWG) Stranded	Insulation Maximum Outside Diameter	Lead-free
<a href="#">16-02-0116</a>	1	22-24	1.63 (.064)	Yes
<a href="#">16-02-0078</a>		24-30	1.52 (.060)	
<a href="#">16-02-0081</a>	2	22-24	1.63 (.064)	
<a href="#">16-02-0077</a>		24-30	1.52 (.060)	
<a href="#">16-02-0107</a>	3	22-24	1.63 (.064)	
<a href="#">16-02-0105</a>		24-30	1.52 (.060)	

Bag				
Order No.	Plating	Wire Range (AWG) Stranded	Insulation Maximum Outside Diameter	Lead-free
<a href="#">16-02-0117</a>	1	22-24	1.63 (.064)	Yes
<a href="#">16-02-0110</a>		24-30	1.52 (.060)	
<a href="#">16-02-0115</a>	2	22-24	1.63 (.064)	
<a href="#">16-02-0109</a>		24-30	1.52 (.060)	
<a href="#">16-02-0114</a>	3	22-24	1.63 (.064)	
<a href="#">16-02-0108</a>		24-30	1.52 (.060)	

Plating No. 1: 30µm min. Gold in select area over 50µm min. Nickel overall with 75µm Tin in select area  
 Plating No. 2: 15µm min. Gold in select area over 50µm min. Nickel overall with 75µm Tin in select area  
 Plating No. 3: 150µm Tin over 50µm Nickel overall  
 Each reel contains 20,000 terminals

**2.54mm (.100") Pitch****SL™****Terminal****70058****Female Box, Crimp****Features and Benefits**

- Dual beam, fully-enclosed box contact
- Dual tab strain relief
- Locking tang secures terminal in housing

**Reference Information**

Product Specification: PS-70058  
 Packaging: Reel or bag  
 Mates With: 70021 male crimp terminals and  
 0.64mm (.025") square pins  
 Use With: All 70066 and 70450 housings  
 Designed In: Inches

**Electrical**

Voltage 250V  
 Current: 3.0A  
 Contact Resistance: 15 milliohms max.  
 Insulation Resistance: 10,000 Megohms min.

**Mechanical**

Contact Retention to Housing: 17.79N (4.0 lb) min.  
 Wire Pull-Out Force: 17.79N (4.0 lb) min.  
 Mating Force: 2.22N (.50 lb) max.  
 Unmating Force: 0.28N (.06 lb) min.  
 Normal Force: 0.98N (.22 lb) min.  
 Durability: Tin—25 cycles; Gold—50 cycles

**Physical**

Contact: Copper Alloy  
 Plating: See Table  
 Operating Temperature: -40 to +105°C  
 Wire Gauge: 22 to 24 and 24 to 30 AWG

**Not For Use With C-Grid III™ Components**

Reel				
Order No.	Plating	Wire Range (AWG) Stranded	Insulation Maximum Outside Diameter	Lead-free
<a href="#">16-02-0088</a>	1	22-24	1.63 (.064)	Yes
<a href="#">16-02-0083</a>		24-30	1.52 (.060)	
<a href="#">16-02-0087</a>	2	22-24	1.63 (.064)	
<a href="#">16-02-0082</a>		24-30	1.52 (.060)	
<a href="#">16-02-0086</a>	3	22-24	1.63 (.064)	
<a href="#">16-02-0069</a>		24-30	1.52 (.060)	

Bag				
Order No.	Plating	Wire Range (AWG) Stranded	Insulation Maximum Outside Diameter	Lead-free
<a href="#">16-02-0104</a>	1	22-24	1.63 (.064)	Yes
<a href="#">16-02-0098</a>		24-30	1.52 (.060)	
<a href="#">16-02-0103</a>	2	22-24	1.63 (.064)	
<a href="#">16-02-0097</a>		24-30	1.52 (.060)	
<a href="#">16-02-0102</a>	3	22-24	1.63 (.064)	
<a href="#">16-02-0096</a>		24-30	1.52 (.060)	

Plating No. 1: 30µm min. Gold in select area over 50µm min. Nickel overall with 75µm Tin in select area  
 Plating No. 2: 15µm min. Gold in select area over 50µm min. Nickel overall with 75µm Tin in select area  
 Plating No. 3: 150µm Tin over 50µm Nickel overall  
 Each reel contains 20,000 terminals

C-6 MX07

