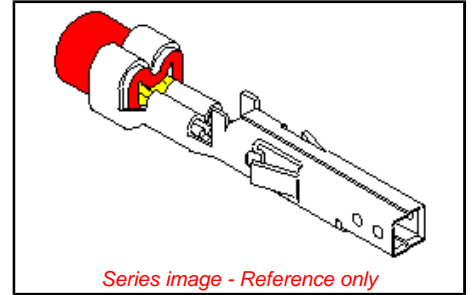


Part Number: [0039000060](#)
Status: **Active**
Description: 4.20mm (.165") Pitch Mini-Fit™ Crimp Terminal, Female, Phosphor Bronze, Tin (Sn), 18-24 AWG, Bag



General

Product Family Crimp Terminals
Series 5556
Product Name Mini-Fit®

Physical

Durability (mating cycles) min 75 cycles
Gender Receptacle
Material - Metal Phosphor Bronze
Material - Plating Mating Tin
Material - Plating Termination Tin
Packaging Type Bag
Plating min: Mating (μm) 36
Plating min: Mating (μm) 0.90
Plating min: Termination (μm) 36
Plating min: Termination (μm) 0.90
Termination Interface: Style Crimp or Compression
Wire Insulation Diameter 1.30-3.10mm (.051-.122")
Wire Size AWG 18
Wire Size AWG 20
Wire Size AWG 22
Wire Size AWG 24
Wire Size mm² N/A

Electrical

Voltage - Maximum 600V

Material Info

Old Part Number 5556PBTL

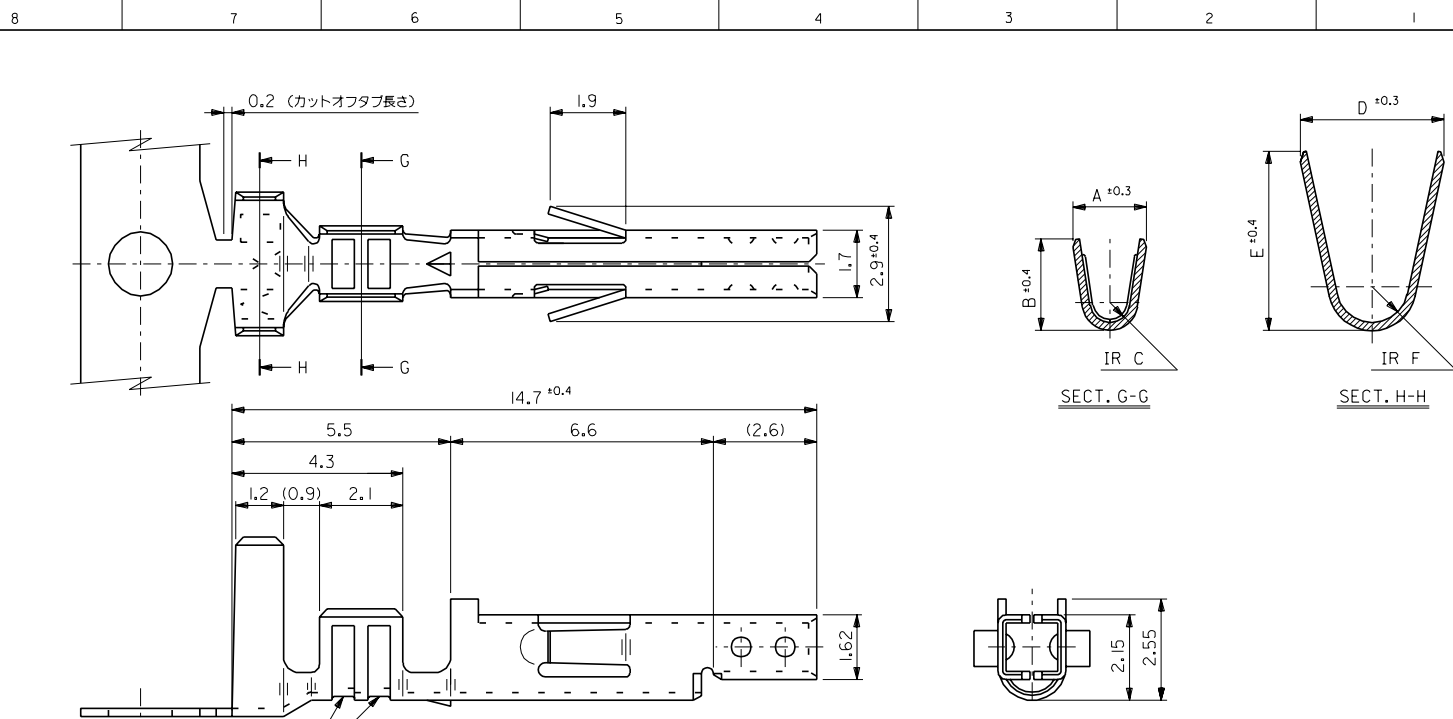
EU RoHS
ELV and RoHS
Compliant

China RoHS



EDP NO. 39-00-00** SD-5556****

MM DIMENSIONS IN METRIC DO NOT SCALE DRAWING



錫メッキ済リン青銅 (板厚: 0.203)	0.9	4.5	3.6	0.5	2.3	1.9	∅ 1.3-3.1	# 18-24	39-00-0060	5556 PBT	バラ状
									-0059	PBT	連鎖状
錫メッキ済黄銅 (板厚: 0.203)	0.6	2.3	2.3	0.4	1.65	1.8	∅ 0.9-1.8	# 22-28	-0047	T2L	バラ状
									-0046	T2	連鎖状
	0.9	4.5	3.6	0.5	2.3	1.9	∅ 1.3-3.1	# 18-24	-0039	TL	バラ状
									39-00-0038	5556 T	連鎖状
材料	F	E	D	C	B	A	被覆外径	適用電線	EDP NO.	ENG. NO.	端子形状

- 注記
- 適合ハウジング: 5557 シリーズ
 - 嵌合相手 : 5558, 5566, 5569 シリーズ
- △ 適用電線が # 22-28 の製品のセレーション数は 1 とする。

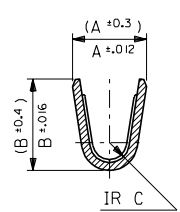
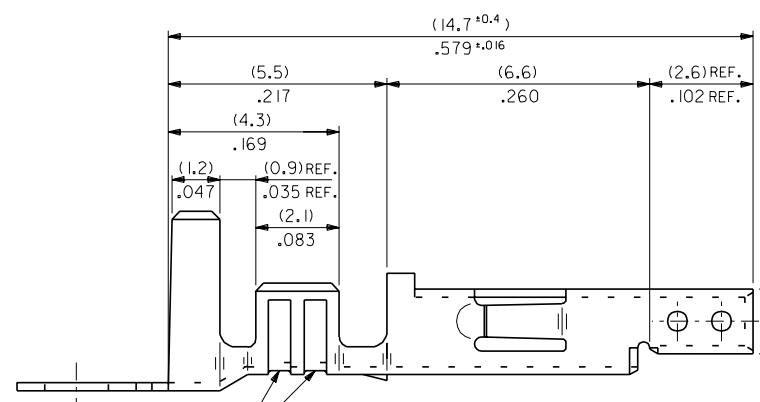
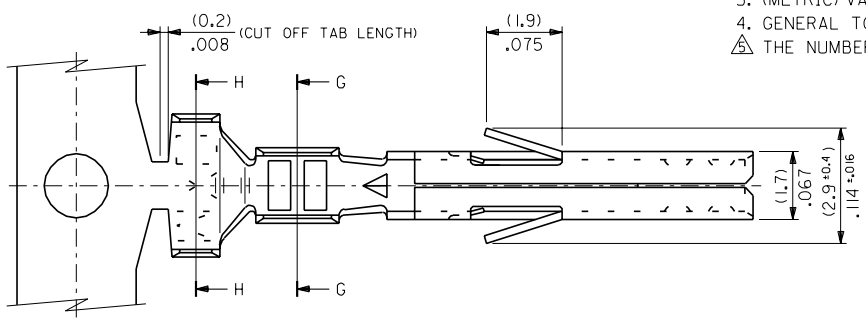
材料 MATERIAL		表参照		MOLEX JAPAN CO., LTD. 日本モレックス株式会社	
仕上げ FINISH		---		EDP NO. 39-00-00**	
適用電線範囲 WIRE RANGE		表参照		ENG. NO. SD-5556****	
被覆外径 INS. RANGE		表参照		REV G	
角度 ANGLE	±3°	F 変更	WC90279	Y.K. S.K.	98/11/6
30 以上 OVER	±0.3	E 変更	WC90012	Y.K. S.K.	98/7/6
10 以上 未過 UNDER	±0.25	D 変更&再作図 (J10380)	H.H.	9/5/21	
10 未満 UNDER	±0.2	記号 LTR	変更内容 REVISION RECORD	DR. CHK. DATE	DRAWN BY 9/5/8 H.HIRAMOTO CHK'D BY 9/11/9 K.T.S.KUNISHI
一般公差 GENERAL TOLERANCES		REVISE ONLY ON CAD SYSTEM			

THIS DRAWING CONTAINS INFORMATION THAT IS PROPRIETARY TO MOLEX JAPAN AND SHOULD NOT BE USED WITHOUT WRITTEN PERMISSION
本図面は日本モレックス(株)の所有する情報を含むもので 当社の許可なく複製を禁止する。 MXJ-8

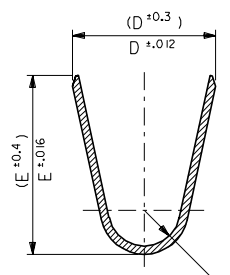
EDP NO. SHEET 1 OF 2
 SEE SHEET 2 OF 2
 SD-5556****
 DIMENSIONS IN METRIC DO NOT SCALE DRAWING

NOTES

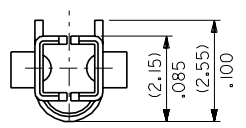
1. APPLICABLE HOUSING : 5557 SERIES.
 2. MATES WITH TERMINAL : 5558, 5566, 5569 SERIES.
 3. (METRIC) VALUES SHOWN GOVERN OVER ENGLISH CONVERSION VALUES.
 4. GENERAL TOLERANCES OF ENGLISH CONVERSION VALUES : ±.008 INCH.
- △ THE NUMBER OF SERRATIONS TO BE ONE FOR WIRE RANGE #22-28.



IR C
 SECT. G-G



IR F
 SECT. H-H



		材料 MATERIAL		SEE SHEET 2 OF 2	MOLEX-JAPAN CO.,LTD. 日本モレックス株式会社	
		仕上げ FINISH		SEE SHEET 2 OF 2	EDP NO. SEE SHEET 2 OF 2	
角度 ANGLE		±30	H	REVISED (JC90279) Y.K. S.K. 98/11/6	適用電線範囲 WIRE RANGE SEE SHEET 2 OF 2	
30以上 OVER		±0.3	G	REVISED (JC90012) Y.K. S.K. 98/7/6	被覆外径 INS. RANGE SEE SHEET 2 OF 2	
10以上 未過 OVER 30 UNDER		±0.25	F	REVISED & REDRAWN (JC80619) Y.K. S.K. 98/5/6	DRAWN BY 9/5/8 CHK'D BY 9/11/8 H.HIRAMOTO K.T.S.KUNISHI	
10 UNDER		±0.2	記号 LTR	変更内容 REVISION RECORD DR. CHK. DATE	APPR'D BY 9/11/8 尺度 SCALE 10 - 1 M.FUKUSHIMA	
一般公差 GENERAL TOLERANCES		REVISE ONLY ON CAD SYSTEM			TITLE 名称 NEW MINI. FIT CONN. CRIMP RECEPTACLE	

THIS DRAWING CONTAINS INFORMATION THAT IS PROPRIETARY TO MOLEX/JAPAN AND SHOULD NOT BE USED WITHOUT WRITTEN PERMISSION
 本図面は日本モレックス(株)の所有する情報を含むもので 当社の許可なく複製を禁止する。

MXJ-8

8 7 6 5 4 3 2 1

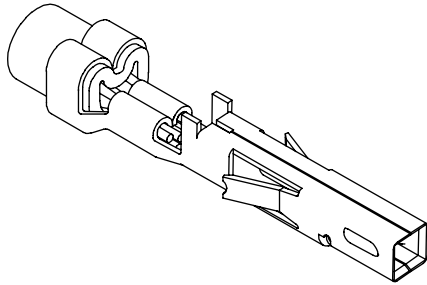
	(0.9)	(4.5)	(3.6)	(0.6)	(2.7)	(2.3)	(3.1)	#16	39-00-0119	5556 PBS3L	LOOSE
TIN OVER NICKEL PLATED PHOSPHOR BRONZE	.035	.177	.142	.024	.106	.091	∅ .122 MAX.		↑ -0118	↑ PBS3	CHAIN
	(0.6)	(2.3)	(2.3)	(0.4)	(1.65)	(1.8)	∅ (0.9-1.8)	#22-28	-0117	PBS2L	LOOSE
	.024	.091	.091	.016	.065	.071	∅ .035-.071		-0116	PBS2	CHAIN
TIN PLATED PHOSPHOR BRONZE	(0.9)	(4.5)	(3.6)	(0.5)	(2.3)	(1.9)	∅ (1.3-3.1)	#18-24	-0115	PBSL	LOOSE
	.035	.177	.142	.020	.091	.075	∅ .051-.122		-0114	PBS	CHAIN
	(0.9)	(4.5)	(3.6)	(0.6)	(2.7)	(2.3)	∅ (3.1) MAX.	#16	-0080	PBT3L	LOOSE
TIN OVER NICKEL PLATED BRASS	.035	.177	.142	.024	.106	.091	∅ .122 MAX.	#16	-0079	PBT3	CHAIN
	(0.6)	(2.3)	(2.3)	(0.4)	(1.65)	(1.8)	∅ (0.9-1.8)	#22-28	-0066	PBT2L	LOOSE
	.024	.091	.091	.016	.065	.071	∅ .035-.071		-0065	PBT2	CHAIN
TIN OVER COPPER PLATED BRASS	(0.9)	(4.5)	(3.6)	(0.5)	(2.3)	(1.9)	∅ (1.3-3.1)	#18-24	-0060	PBTL	LOOSE
	.035	.177	.142	.020	.091	.075	∅ .051-.122		-0059	PBT	CHAIN
	(0.9)	(4.5)	(3.6)	(0.6)	(2.7)	(2.3)	∅ (3.1) MAX.	#16	-0113	S3L	LOOSE
MATERIAL	.035	.177	.142	.024	.106	.091	∅ .122 MAX.	#16	-0112	S3	CHAIN
	(0.6)	(2.3)	(2.3)	(0.4)	(1.65)	(1.8)	∅ (0.9-1.8)	#22-28	-0111	S2L	LOOSE
	.024	.091	.091	.016	.065	.071	∅ .035-.071		-0110	S2	CHAIN
MATERIAL	(0.9)	(4.5)	(3.6)	(0.5)	(2.3)	(1.9)	∅ (1.3-3.1)	#18-24	-0109	SL	LOOSE
	.035	.177	.142	.020	.091	.075	∅ .051-.122		-0108	S	CHAIN
	(0.9)	(4.5)	(3.6)	(0.6)	(2.7)	(2.3)	∅ (3.1) MAX.	#16	-0078	T3L	LOOSE
MATERIAL	.035	.177	.142	.024	.106	.091	∅ .122 MAX.	#16	-0077	T3	CHAIN
	(0.6)	(2.3)	(2.3)	(0.4)	(1.65)	(1.8)	∅ (0.9-1.8)	#22-28	-0047	T2L	LOOSE
	.024	.091	.091	.016	.065	.071	∅ .035-.071		-0046	T2	CHAIN
MATERIAL	(0.9)	(4.5)	(3.6)	(0.5)	(2.3)	(1.9)	∅ (1.3-3.1)	#18-24	↓ -0039	↓ TL	LOOSE
	.035	.177	.142	.020	.091	.075	∅ .051-.122		39-00-0038	5556 T	CHAIN
	F	E	D	C	B	A	INS. RANGE	WIRE RANGE	EDP NO.	ENG. NO.	FORM

材料 MATERIAL		SEE CHART	MOLEX MOLEX-JAPAN CO.,LTD. 日本モレックス株式会社
THICKNESS : (0.203)/.008			
仕上げ FINISH		SEE CHART	EDP. NO.
適用電線範囲 WIRE RANGE		SEE CHART	SEE CHART
被覆外径 INS. RANGE		SEE CHART	ENG. NO. SHEET 2 OF 2 REV
DRAWN BY 9/5/08 H.HIRAMOTO		CHK'D BY 9/11/09 K.T.S.KUNISHI	SD-5556**** J
APPRO'D BY 9/11/09 M.FUKUSHIMA		尺度 SCALE 10 - 1	TITLE 名称 NEW MINI, FIT CONN. CRIMP RECEPTACLE
REVISION RECORD		DR. CHK. DATE	
記号 LTR		変更内容	
一般公差 GENERAL TOLERANCES			

THIS DRAWING CONTAINS INFORMATION THAT IS PROPRIETARY TO MOLEX/JAPAN AND SHOULD NOT BE USED WITHOUT WRITTEN PERMISSION
本図面は日本モレックス(株)の所有する情報を含むもので 当社の許可なく複製を禁止する。 MXJ-8

4.20mm (.165") Pitch Mini-Fit Plus™ Terminal

46083
Crimp, Female



Features and Benefits

- Post-plated contacts for superior electrical performance over time
- Reliable 2-point contact design for use in harsh applications or where vibration is expected

Reference Information

Packaging: Reel or bag
Use With: 5557, 30067, 42474 and 44516 housings
Designed In: Millimeters

Electrical

Voltage: 600V
Current: When mating 2-circuit connectors

	16 AWG	18 AWG	20 AWG	22 AWG	24 AWG
Brass	9.0A	9.0A	7.0A	5.0A	4.0A
Phosphor Bronze	8.0A	8.0A	6.0A	4.0A	3.0A

Contact Resistance: 10 milliohms max.
Dielectric Withstanding Voltage: 1500V
Insulation Resistance: 1000 Megohms min.

Mechanical

Contact Insertion Force: 1.5kg max.
Contact Retention to Housing: 3.0kg min.
Wire Pull-Out Force: 9.0kg min.
Normal Force: 200g min.
Durability: Tin—75 cycles
Gold—100 cycles

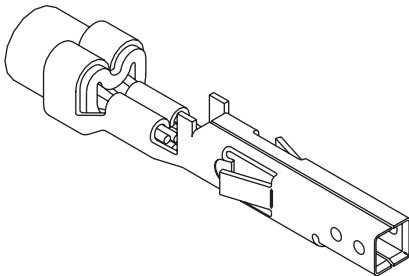
Physical

Contact: Brass or Phosphor Bronze
Plating: Tin or Select Gold
Underplating: Nickel
Operating Temperature: -40 to 105°C

Base Material	Plating Phos Bronze	Insulation Range	Wire Range AWG	Reel	Bag	Lead-free
Brass	Tin	2.20-3.15mm	16	46083-3111	46083-3112	Yes
		1.65-2.95mm	18-20	46083-1111	46083-1112	
		1.20-1.80mm	22-24	46083-2111	46083-2112	
	Select Gold	2.20-3.15mm	16	46083-3211	46083-3212	
		1.65-2.95mm	18-20	46083-1211	46083-1212	
		1.20-1.80mm	22-24	46083-2211	46083-2212	
Phosphor Bronze	Tin	2.20-3.15mm	16	46083-3121	46083-3122	
		1.65-2.95mm	18-20	46083-1121	46083-1122	
		1.20-1.80mm	22-24	46083-2121	46083-2122	
	Select Gold	2.20-3.15mm	16	46083-3221	46083-3222	
		1.65-2.95mm	18-20	46083-1221	46083-1222	
		1.20-1.80mm	22-24	46083-2221	46083-2222	

4.20mm (.165") Pitch Mini-Fit® Family Terminal

5556
Crimp, Female



Features and Benefits

- Four gas-tight points of contact on Tin-plated contacts

Reference Information

Packaging: Reel or bag
Use With: 5557, 30067 and 42474 housings
Designed In: Millimeters

Electrical

Voltage: 600V
Current: 16 AWG—9.0A max.
Contact Resistance: 10 milliohms max.
Dielectric Withstanding Voltage: 1500V
Insulation Resistance: 1000 Megohms min.

Mechanical

Contact Insertion Force: 1.5kg max.
Contact Retention to Housing: 3.0kg min.
Wire Pull-Out Force: 9.0kg min.
Normal Force: 200g min.
Durability: 30 cycles

Physical

Contact: Brass or Phosphor Bronze
Plating: Pre-plated Tin
Underplating: Copper
Operating Temperature: -40 to 105°C

Contact Material	Wire Size (AWG)	Insulation Range	Order No. 5556		Lead-free
			Reel	Bag	
Brass	16	1.80-3.10 (.071-.122)	39-00-0077	39-00-0078	Yes
	18-24	1.30-3.10 (.051-.122)	39-00-0038	39-00-0039	
Phosphor Bronze	16	1.80-3.10 (.071-.122)	39-00-0079	39-00-0080	
	18-24	1.30-3.10 (.051-.122)	39-00-0059	39-00-0060	

