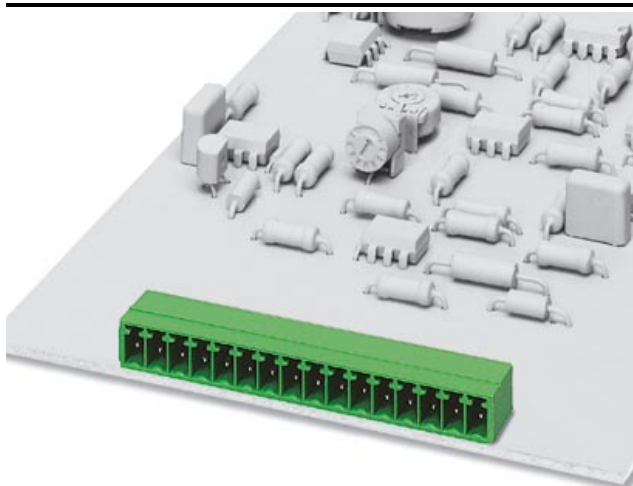


Please note that the data given here has been taken from the online catalog. For comprehensive information and data, please refer to the user documentation at <http://www.download.phoenixcontact.com>. The General Terms and Conditions of Use apply to Internet downloads.

▶ Extract from the online catalog



Header, nominal current: 8 A, rated voltage: 160 V,
pitch: 3.5 mm, no. of positions: 10, mounting:
Soldering

The illustration shows a 16-position version

| | |
|--------------------------|--------------------|
| Order No. | 1844294 |
| Ord designation | MC 1,5/10-G-3,5 |
| EAN | 4017918113339 |
| Pack | 50 Pcs. |
| Customs tariff | 85369010 |
| Catalog page information | Page 108 (CC-2005) |

▶ Product notes

WEEE/RoHS-compliant since: 01/01/2003



▶ Technical data

Dimensions / positions

| | |
|---------------------|--------------|
| Height | 7.7 mm |
| Pitch | 3.5 mm |
| Dimension a | 31.5 mm |
| Number of positions | 10 |
| Pin dimensions | 0,8 x 0,8 mm |
| Hole diameter | 1.2 mm |

Technical data

| | |
|------------------------------------|--------|
| Insulating material group | IIIa |
| Rated surge voltage (III/3) | 2.5 kV |
| Rated surge voltage (III/2) | 2.5 kV |
| Rated surge voltage (II/2) | 2.5 kV |
| Rated voltage (III/2) | 160 V |
| Rated voltage (II/2) | 250 V |
| Connection in acc. with standard | EN-VDE |
| Nominal current I_N | 8 A |
| Nominal voltage U_N | 160 V |
| Maximum load current | 8 A |
| Insulating material | PBT |
| Inflammability class acc. to UL 94 | V0 |

► Certificates

Certificate logos



CSA

| | |
|-----------------------|-------|
| Nominal voltage U_N | 300 V |
| Nominal current I_N | 8 A |

CUL

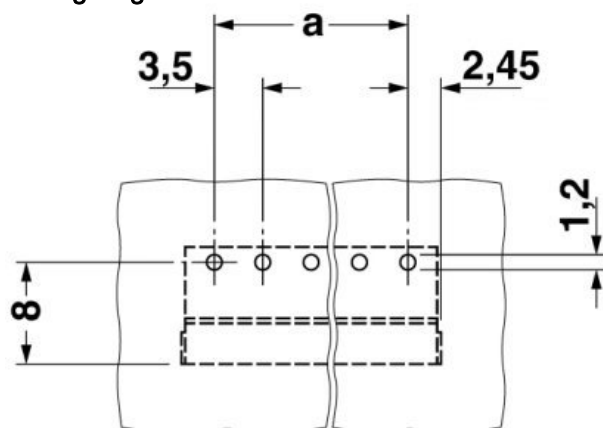
| | |
|-----------------------|---------------------------------------|
| Comments | all numbers of positions are accepted |
| Nominal voltage U_N | 300 V |
| Nominal current I_N | 8 A |
| Nominal voltage U_N | 250 V |
| Nominal current I_N | 8 A |

UL

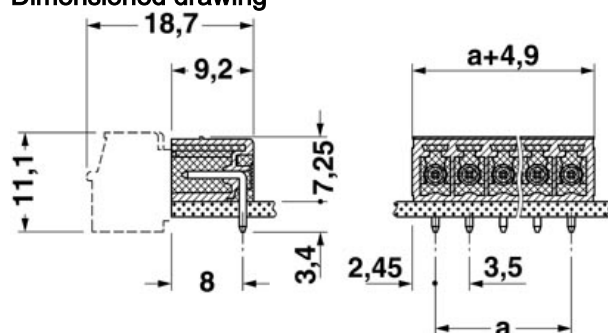
| | |
|-----------------------|-------|
| Nominal voltage U_N | 300 V |
| Nominal current I_N | 8 A |
| Nominal voltage U_N | 250 V |
| Nominal current I_N | 8 A |

► Drawings

Drilling diagram



Dimensioned drawing



► Accessories

| Item | Designation | Description |
|---------------------|-------------------------|---|
| General | | |
| 1841161 | MC 1,5/10-LWL 1,5-3,5 | MINI-COMBICON optical fibers, pitch 3.5 mm, 10-position, divisible, are snapped into the back of the MC header, color: transparent, dimension a: 1.5 mm |
| 1841187 | MC 1,5/10-LWL 2,3-3,5 | MINI-COMBICON optical fibers, pitch 3.5 mm, 10-position, divisible, are snapped into the back of the MC header, color: transparent, dimension a: 2.3 mm |
| 1841200 | MC 1,5/10-LWL 4-3,5 | MINI-COMBICON optical fibers, pitch 3.5 mm, 10-position, divisible, are snapped into the back of the MC header, color: transparent, dimension a: 4.0 mm |
| Marking | | |
| 0804073 | SK 3,5/2,8:FORTL.ZAHLEN | |
| Plug/Adapter | | |
| 1734634 | CP-MSTB | Coding section, is inserted into the slot on the plug or inverted header, red insulating material |

► Additional products

| Item | Designation | Description |
|----------------|--------------------|---|
| General | | |
| 1840447 | MC 1,5/10-ST-3,5 | Plug component, nominal current: 8 A, rated voltage: 160 V, pitch: 3.5 mm, no. of positions: 10, type of connection: Screw connection |
| 1863233 | MCVR 1,5/10-ST-3,5 | Plug component, nominal current: 8 A, rated voltage: 160 V, pitch: 3.5 mm, no. of positions: 10, type of connection: Screw connection |
| 1862933 | MCVW 1,5/10-ST-3,5 | Plug component, nominal current: 8 A, rated voltage: 160 V, pitch: 3.5 mm, no. of positions: 10, type of connection: Screw connection |

► Address

PHOENIX CONTACT GmbH & Co. KG
Flachsmarktstr. 8
32825 Blomberg
Germany
Phone +49 5235 3 00
Fax +49 5235 3 41200
<http://www.phoenixcontact.com>
Phoenix Contact
Technical modifications reserved;