

Please note that the data given here has been taken from the online catalog. For comprehensive information and data, please refer to the user documentation at <http://www.download.phoenixcontact.com>. The General Terms and Conditions of Use apply to Internet downloads.

► Extract from the online catalog



MCR potipotension transducer for converting potentiometer positions to an analog standard signal, input 0...100 Ω to 0...100 kΩ

Order No.	2864095
Ord designation	MINI MCR-SL-R-UI
EAN	4046356046442
Pack	1 Pcs.
Customs tariff	85389091
Weight/Piece	0.0737 KG
Catalog page information	Page 300 (IF-2007)

► Product notes

WEEE/RoHS-compliant since: 12/12/2006



IMPORTANT : This date is valid for Customers in Germany only. Date Format is MM/DD/YYYY. Please contact your local in-country Phoenix Contact location or designated business partner for a Logistics Compliant date in your area. In order to guarantee delivery of RoHS-Compliant product, please purchase Phoenix Contact parts from authorized Phoenix Contact representatives and distributors.

MINI MCR-SL-R-UI



▶ **Technical data**

Input data

Potentiometer	100 Ω ... 100 kΩ
Reference voltage source	< 3.6 V

Output data

Voltage output signal	0 V ... 5 V
Voltage output signal	0 V ... 10 V
Voltage output signal	1 V ... 5 V
Voltage output signal	10 V ... 0 V
Current output signal	0 mA ... 20 mA
Current output signal	4 mA ... 20 mA
Current output signal	20 mA ... 0 mA
Current output signal	20 mA ... 4 mA
Max. voltage output signal	12.5 V
Max. current output signal	23 mA
Load/output load voltage output	> 10 kΩ
Load/output load current output	< 500 Ω (20 mA)

Power supply

Supply voltage	24 V DC
Supply voltage	19.2 V DC ... 30 V DC
Current consumption	< 25 mA (for 24 V DC)

Connection data

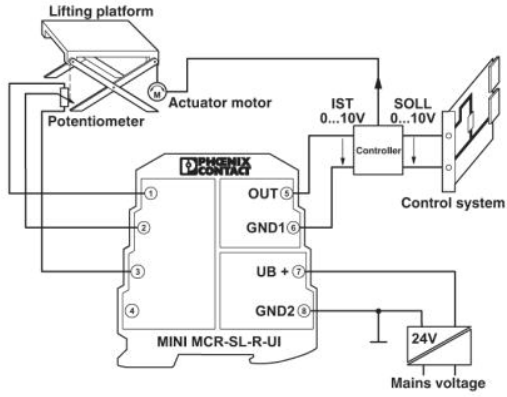
Conductor cross section solid min.	0.14 mm ²
Conductor cross section solid max.	2.5 mm ²
Conductor cross section stranded min.	0.2 mm ²
Conductor cross section stranded max.	2.5 mm ²
Conductor cross section AWG/kcmil min.	26
Conductor cross section AWG/kcmil max	12
Stripping length	12 mm
Screw thread	M3
Type of connection	Screw connection

General data

Transmission error, max.	< 0.2 %
Temperature coefficient, max. (/K)	< 0.02 %/K
Step response (10-90%)	< 30 ms
Length	102.5 mm
Width	6.2 mm
Height	93.1 mm
Ambient temperature (operation)	-20 °C ... 65 °C
Ambient temperature (storage/transport)	-40 °C ... 85 °C
Housing material	PBT
Color	green
Conformance	CE compliance
ATEX approval	II 3 G Ex nA II T4 X
UL, USA / Canada	UL applied for

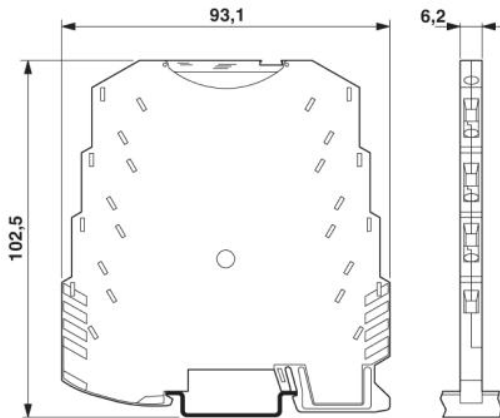
► Drawings

Application drawing

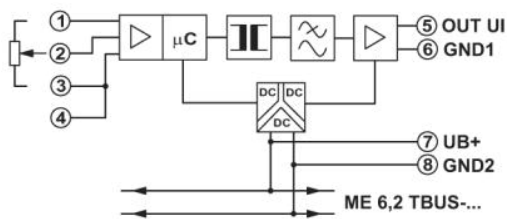


Positioning table with positioner/controller

Dimensioned drawing



Circuit diagram



Logo



Ex n

► Address

PHOENIX CONTACT GmbH & Co. KG
Flachsmarktstr. 8
32825 Blomberg
Germany
Phone +49 5235 3 00
Fax +49 5235 3 41200
<http://www.phoenixcontact.de>
Phoenix Contact
Technical modifications reserved;