

## UT 2,5

Order No.: 3044076




<http://eshop.phoenixcontact.de/phoenix/treeViewClick.do?UID=3044076>

Universal terminal block, Connection method: Screw connection, Screw connection, Cross section: 0.14 mm<sup>2</sup> - 4 mm<sup>2</sup>, AWG 26 - 12, Width: 5.2 mm, Color: gray, Mounting type: NS 35/7.5, NS 35/15



### Commercial data

|                          |  |
|--------------------------|--|
| GTIN (EAN)               |  |
| sales group              | A800   |
| Pack                     | 50 pcs.  |
| Customs tariff           | 85369010   |
| Catalog page information | Page 26 (CL1-2011)   |

### Product notes

WEEE/RoHS-compliant since:  
01/01/2003



<http://www.download.phoenixcontact.com>  
Please note that the data given here has been taken from the online catalog. For comprehensive information and data, please refer to the user documentation. The General Terms and Conditions of Use apply to Internet downloads.

### Technical data

#### General

|                       |      |
|-----------------------|------|
| Number of levels      | 1    |
| Number of connections | 2    |
| Color                 | gray |

|                                    |    |
|------------------------------------|----|
| Insulating material                | PA |
| Inflammability class acc. to UL 94 | V0 |

**Dimensions**

|                  |         |
|------------------|---------|
| Width            | 5.2 mm  |
| Length           | 47.7 mm |
| Height NS 35/7.5 | 47.5 mm |
| Height NS 35/15  | 55 mm   |

**Technical data**

|                                  |   |
|----------------------------------|---|
| Maximum load current             | 32 A (with 4 mm <sup>2</sup> conductor cross section) |
| Rated surge voltage              | 8 kV  |
| Pollution degree                 | 3   |
| Surge voltage category           | III   |
| Insulating material group        | I   |
| Connection in acc. with standard | IEC 60947-7-1   |
| Nominal current I <sub>N</sub>   | 24 A  |
| Nominal voltage U <sub>N</sub>   | 1000 V  |
| Open side panel                  | ja  |

**Connection data**

|  |  |
|--|--|
| Note   | Note: Product releases, connection cross sections and notes on connecting aluminum cables can be found in the download area. |
| Conductor cross section solid min.   | 0.14 mm <sup>2</sup>   |
| Conductor cross section solid max.   | 4 mm <sup>2</sup>  |
| Conductor cross section stranded min.                                      | 0.14 mm <sup>2</sup>   |
| Conductor cross section stranded max.                                      | 4 mm <sup>2</sup>  |
| Conductor cross section AWG/kcmil min.                                     | 26   |
| Conductor cross section AWG/kcmil max                                      | 12   |
| Conductor cross section stranded, with ferrule without plastic sleeve min. | 0.14 mm <sup>2</sup>   |
| Conductor cross section stranded, with ferrule without plastic sleeve max. | 2.5 mm <sup>2</sup>  |
| Conductor cross section stranded, with ferrule with plastic sleeve min.    | 0.14 mm <sup>2</sup>   |
| Conductor cross section stranded, with ferrule with plastic sleeve max.    | 2.5 mm <sup>2</sup>  |
| 2 conductors with same cross section, solid min.                           | 0.14 mm <sup>2</sup>   |
| 2 conductors with same cross section, solid max.                           | 1.5 mm <sup>2</sup>  |

|   |                      |
|---|----------------------|
| 2 conductors with same cross section, stranded min.                                     | 0.14 mm <sup>2</sup> |
| 2 conductors with same cross section, stranded max.                                     | 1.5 mm <sup>2</sup>  |
| 2 conductors with same cross section, stranded, TWIN ferrules with plastic sleeve, min. | 0.5 mm <sup>2</sup>  |
| 2 conductors with same cross section, stranded, TWIN ferrules with plastic sleeve, max. | 1.5 mm <sup>2</sup>  |
| 2 conductors with same cross section, stranded, ferrules without plastic sleeve, min.   | 0.14 mm <sup>2</sup> |
| 2 conductors with same cross section, stranded, ferrules without plastic sleeve, max.   | 1.5 mm <sup>2</sup>  |
| Connection method   | Screw connection     |
| Stripping length  | 9 mm                 |
| Internal cylindrical gage   | A3                   |
| Screw thread  | M3                   |
| Tightening torque, min  | 0.5 Nm               |
| Tightening torque max   | 0.6 Nm               |

#### Certificates / Approvals



Certification

CB, CSA, CUL, DNV, GL, GOST, LR, UL, VDE-PZI

Certification Ex:

IECEX, KEMA-EX

#### Accessories

| Item            | Designation  | Description  |
|-----------------|--------------|--|
| <b>Assembly</b> |              |  |
| 3047167         | ATP-UT       | Partition plate, Length: 50 mm, Width: 2 mm, Height: 48 mm, Color: gray  |
| 3022276         | CLIPFIX 35-5 | Snap-on end bracket, for NS 35/7.5 or NS 35/15 DIN rail, can be fitted with Zack strip ZB 5 and ZBF 5, terminal strip marker KLM 2 and KLM, parking facility for FBS...5, FBS...6, KSS 5, KSS 6, width: 5,15 mm, color: gray |
| 3047028         | D-UT 2,5/10  | End cover, Length: 47.7 mm, Width: 2.2 mm, Height: 48.4 mm, Color: gray  |

|         |                             |  |
|---------|-----------------------------|--|
| 0801762 | NS 35/ 7,5 CU UNPERF 2000MM | DIN rail, material: Copper, unperforated, height 7.5 mm, width 35 mm, length: 2 m  |
| 1207640 | NS 35/ 7,5 PERF 755MM       | NS 35 DIN rail, height 7.5 mm, length 755 mm   |
| 1207653 | NS 35/ 7,5 PERF 955MM       | NS35 DIN rail, height 7.5 mm, length 955 mm  |
| 1207666 | NS 35/ 7,5 PERF 1155MM      | NS 35 DIN rail, height 7.5 mm, length 1155 mm  |
| 0801733 | NS 35/ 7,5 PERF 2000MM      | DIN rail, material: Steel, galvanized and passivated with a thick layer, perforated, height 7.5 mm, width 35 mm, length: 2 m |
| 0801681 | NS 35/ 7,5 UNPERF 2000MM    | DIN rail, material: Steel, unperforated, height 7.5 mm, width 35 mm, length: 2 m   |
| 1201756 | NS 35/15 AL UNPERF 2000MM   | DIN rail, deep-drawn, high profile, unperforated, 1.5 mm thick, material: Aluminum, height 15 mm, width 35 mm, length 2 m    |
| 1201895 | NS 35/15 CU UNPERF 2000MM   | DIN rail, material: Copper, unperforated, 1.5 mm thick, height 15 mm, width 35 mm, length: 2 m                               |
| 1207679 | NS 35/15 PERF 755MM         | NS 35 DIN rail, perforated, height 15 mm, length 755 mm  |
| 1207682 | NS 35/15 PERF 955MM         | NS 35 DIN rail, perforated, height 15 mm, length 955 mm  |
| 1207695 | NS 35/15 PERF 1155MM        | NS 35 DIN rail, perforated, height 15 mm, length 1155 mm   |
| 1201730 | NS 35/15 PERF 2000MM        | DIN rail, material: Steel, perforated, height 15 mm, width 35 mm, length: 2 m  |
| 1201714 | NS 35/15 UNPERF 2000MM      | DIN rail, material: Steel, unperforated, height 15 mm, width 35 mm, length: 2 m  |
| 1201798 | NS 35/15-2,3 UNPERF 2000MM  | DIN rail, material: Steel, unperforated, 2.3 mm thick, height 15 mm, width 35 mm, length: 2 m                                |

**Bridges**

|         |          |   |
|---------|----------|---|
| 3030161 | FBS 2-5  | Plug-in bridge, Number of positions: 2, Color: red  |
| 3030174 | FBS 3-5  | Plug-in bridge, Number of positions: 3, Color: red  |
| 3030187 | FBS 4-5  | Plug-in bridge, Number of positions: 4, Color: red  |
| 3030190 | FBS 5-5  | Plug-in bridge, Number of positions: 5, Color: red  |
| 3030213 | FBS 10-5 | Plug-in bridge, Number of positions: 10, Color: red |
| 3030226 | FBS 20-5 | Plug-in bridge, Number of positions: 20, Color: red |
| 3038930 | FBS 50-5 | Plug-in bridge, Number of positions: 50, Color: red |

**Marking**

|         |                        |  |
|---------|------------------------|--|
| 3047923 | WS UT 2,5              | Warning sign for UT terminal blocks  |
| 0811228 | X-PEN 0,35             | Marker pen without ink cartridge, for manual labeling of markers, labeling extremely wipe-proof, line thickness 0.35 mm  |
| 1050017 | ZB 5,LGS:FORTL.ZAHLEN  | Zack marker strip, 10-section, printed horizontally: with the numbers 1 - 10, 11 - 20 and so on up to 491 - 500, color: white  |
| 5060906 | ZB 5/WH-100:UNBEDRUCKT | Zack strip, unprinted: 10-section, for individual labeling with M-PEN, ZB-T or CMS system, large batch, sufficient for labeling 1000 terminal blocks, for a terminal width of 5.2 mm, color: White |

|         |             |   |
|---------|-------------|---|
| 1050295 | ZB 5:SO/CMS | Zack strip, 10-section, divisible, special printing, marking according to customer requirements |
|---------|-------------|---|

**Plug/Adapter**

|         |           |                                 |
|---------|-----------|---------------------------------|
| 0201689 | MPS-IH BU | Insulating sleeve, Color: blue  |
| 0201676 | MPS-IH RD | Insulating sleeve, Color: red   |
| 0201663 | MPS-IH WH | Insulating sleeve, Color: white |
| 0201744 | MPS-MT    | Test plugs                      |
| 3030925 | PAI-4     | Test adapter, Color: gray       |
| 3030983 | PS-5      | Test adapter, Color: red        |

**Tools**

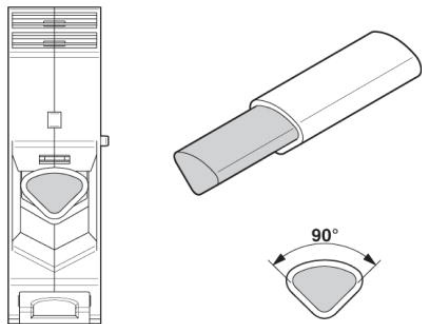
|         |             |  |
|---------|-------------|--|
| 1205053 | SZS 0,6X3,5 | Actuation tool, for ST terminal blocks, insulated, also suitable for use as a bladed screwdriver, size: 0.6 x 3.5 x 100 mm, 2-component grip, with non-slip grip |
|---------|-------------|--|

**Diagrams/Drawings**

Circuit diagram



Schematic diagram



Connecting aluminum cables. Further notes can be found in the download area

**Address**

PHOENIX CONTACT Inc., USA  
586 Fulling Mill Road  
Middletown, PA 17057, USA  
Phone (800) 888-7388  
Fax (717) 944-1625  
<http://www.phoenixcon.com>



© 2011 Phoenix Contact  
Technical modifications reserved;