



NEUTRIK

NE8FDY-C6-B

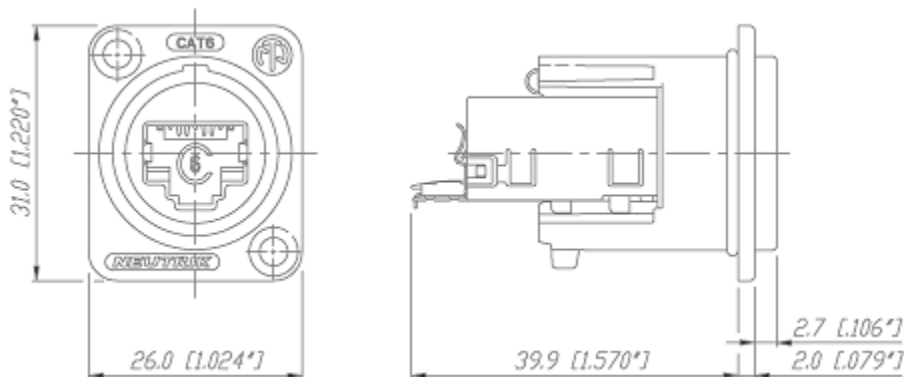


D-shape CAT6 panel connector with black Chrome housing

The etherCON CAT6 D-shape panel connectors with metal housing and secure latching system offer a tool-free and gas-tight IDC termination, which makes cable assembly easy and fast.

Features & Benefits

- CAT6 compliant # data rate up to 10 GBit/s
- CAT6 performance # fast data transmission and high bandwidth applications
- CAT6 specifications according TIA / EIA 568B, ISO / IEC 11801, EN 50173
- IP65 - Dust and waterproof in mated condition
- Shielded system - high noise immunity and EMI protection
- Push Pull mating - secure and proven locking system
- Ground lead jumper on panel connector with selectable grounding option
- Gas-tight IDC termination without tool



Product

Connector Type	RJ45
Gender	female

Electrical

Contact resistance	< 10 mΩ
Dielectric strength	1 kVdc
Frequencyrange	1 - 250 MHz
Insulation resistance	> 0.5 GΩ

Rated current per contact	1,5 A
Rated voltage	50 V
Transmission performance	CAT 6
Standard compliance	TIA/EIA 586B, IEC11801
Mechanical	
Insertion force	≤ 40 N
Withdrawal force	≤ 20 N
Lifetime	> 1000 mating cycles
Panel thickness	max. 3 mm 0.12"
Wire size	0.5 - 0.65 mm ²
Wire size	24 - 22 AWG
Wiring	IDC punch down terminals
Locking device	Push-Pull
Mounting direction	front & rear
Chassis shape	D
Material	
Contact plating	0.7 μm Au over 1.2 μm Ni plating
Contacts	Bronze (CuSn8)
Insert	Polycarbonate
Shell	Zinc diecast (ZnAl4Cu1)
Shell plating	Black chromium
Strain relief	Stainless steel
Environmental	
Flammability	UL 94 HB
Protection class	IP 65
Temperature range	-10 °C to +60 °C