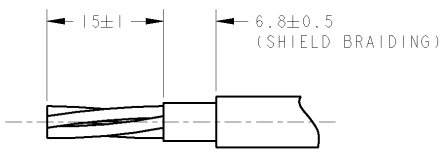
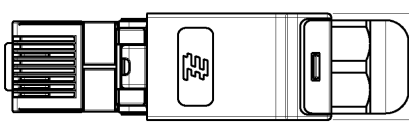
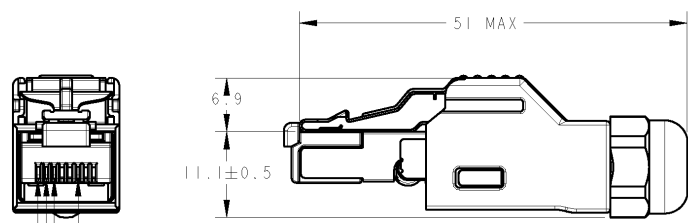


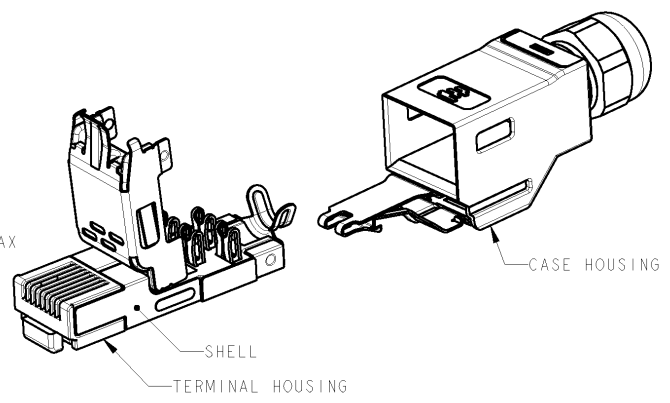
THIS DRAWING IS UNPUBLISHED. RELEASED FOR PUBLICATION
 COPYRIGHT 20 BY TYCO ELECTRONICS CORPORATION. ALL RIGHTS RESERVED.

LOC		DIST		REVISIONS			
J		-		変更			
P	LTR	DESCRIPTION		DATE	DWN	APVD	
A		RELEASED		18AUG2006	J.A	D.M	
B		REVISED		05DEC2008	T.S	A.O	

- 1:AS SHOWN



RECOMMENDED STRIPPING LENGTH



1. MATERIAL : CASE HOUSING-POLYCARBONATE.
 TERMINAL HOUSING-NYLON.
 CONTACT-COPPER ALLOY.
 SHELL-COPPER ALLOY.
2. FINISH : CONTACT-UNDERPLATE: Ni
 CONTACT AREA: Au
 SHELL: Ni

COLOR ALLOCATION OF TERMINAL WIRE TO RJ45 CONTACT

CONTACT NO.	WIRE COLOR
1	YELLOW
2	ORANGE
3	WHITE
6	BLUE

WIRE RANGE 配線電線規格		INSULATION DIA 絶縁径		Tyco Electronics Tyco Electronics AMP R.K. Kawasaki, Japan	
DWN J. AKASAKA 29NOV2005		CHK D. MITSUGI 1DEC2005		NAME D. MITSUGI 1DEC2005	
DIMENSIONS: mm		TOLERANCES UNLESS OTHERWISE SPECIFIED: ± 0.3		PRODUCT SPEC 108-78381	
0-PLC ±		1-PLC ±		APPLICATION SPEC 114-5402	
2-PLC ±		3-PLC ±		WEIGHT -	
4-PLC ±		FINISH ± 0.3		SIZE A3	
MATERIAL PBR		FINISH ± 0.3		CAGE CODE -	
				DRAWING NO C-1903526	
				RESTRICTED TO -	
				SCALE 2.1	
				SHEET 1	
				OF 1	
				REV B	
				CUSTOMER DRAWING	