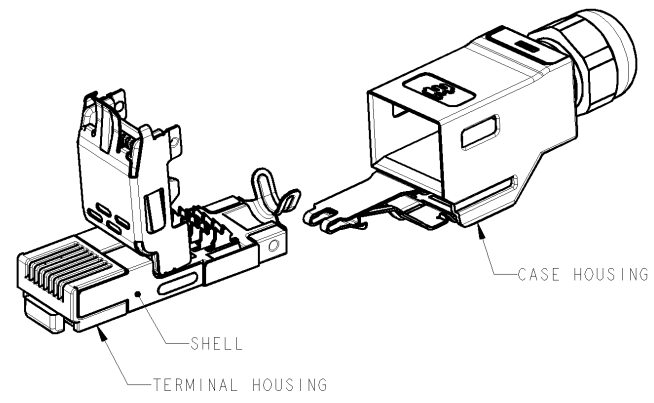
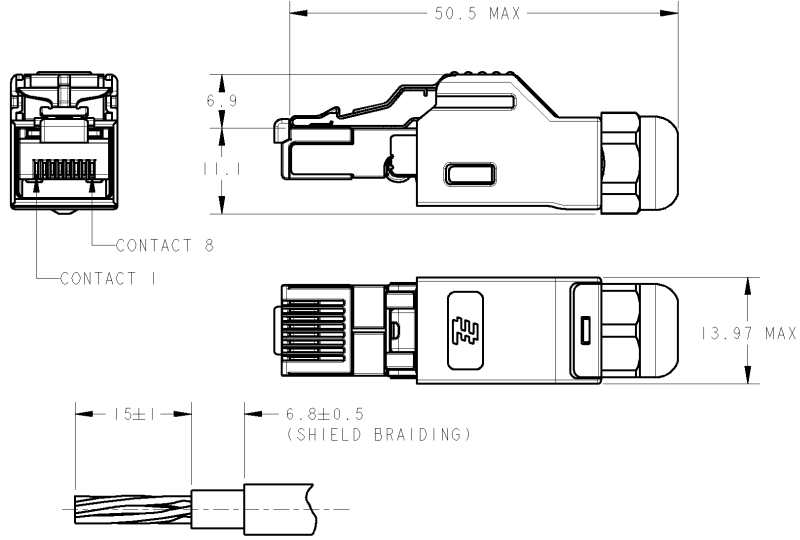


THIS DRAWING IS UNPUBLISHED. RELEASED FOR PUBLICATION  
 COPYRIGHT 20 BY TYCO ELECTRONICS CORPORATION. ALL RIGHTS RESERVED.

LOC	DIST	REVISIONS					
J	-	P	LTR	DESCRIPTION	DATE	DWN	APVD
		A		RELEASED	18AUG2006	J.A	D.M
		B		REVISED	20APR2009	T.S	A.O



RECOMMENDED STRIPPING LENGTH

- 1. MATERIAL : CASE HOUSING-POLYCARBONATE.  
 TERMINAL HOUSING-NYLON.  
 CONTACT-COPPER ALLOY.  
 SHELL-COPPER ALLOY.
- 2. FINISH : CONTACT-UNDERPLATE: Ni  
 CONTACT AREA: Au  
 SHELL: Ni

COLOR ALLOCATION OF TERMINAL WIRE TO RJ45 CONTACT

CONTACT NO.	WIRE COLOR	
	568A	568B
1	WHITE/GREEN	WHITE/ORANGE
2	GREEN	ORANGE
3	WHITE/ORANGE	WHITE/GREEN
4	BLUE	BLUE
5	WHITE/BLUE	WHITE/BLUE
6	ORANGE	GREEN
7	WHITE/BROWN	WHITE/BROWN
8	BROWN	BROWN

DIMENSIONS: 単位: mm 		TOLERANCES UNLESS OTHERWISE SPECIFIED: φ-PLC ±0.3 -PLC ± φ-PLC ± -PLC ± -PLC ± ANGLES ±3		DWN 29NOV2005 J. AKASAKA CHK D. MITSUGI 1DEC2005 APVD D. MITSUGI 1DEC2005 PRODUCT SPEC 108-78381 APPLICATION SPEC 114-5402 WEIGHT - MATERIAL - FINISH -		WIRE RANGE 対応電線径範囲 - INSULATION DIA 絶縁径 φ6.5 Tyco Electronics Tyco Electronics AMP K.K. Kawasaki, Japan NAME 名称 RJ 45 CONNECTOR INDUSTRIAL ETHERNET 1P20 8POS 180DEG STRD WIRE SIZE 寸法 A3 CAGE CODE 箱号 - DRAWING NO 図号 C-1903527 RESTRICTED TO 限制	
CUSTOMER DRAWING				SCALE 比例	SHEET 頁	OF 共	REV 版 B