



Series image - Reference only

EU RoHS

ELV and RoHS Compliant

China RoHS



Search Parts in this Series

84700 Series

Use With

84700-0001 Inline Modular Jack

Part Number: 0847000003

Status: Active

Description: Dust Cover for Bayonet-Style Latch Connector

General

Product Family	Accessories
Series	<u>84700</u>
Component Type	Dust Cover
Product Name	RJ45

Physical

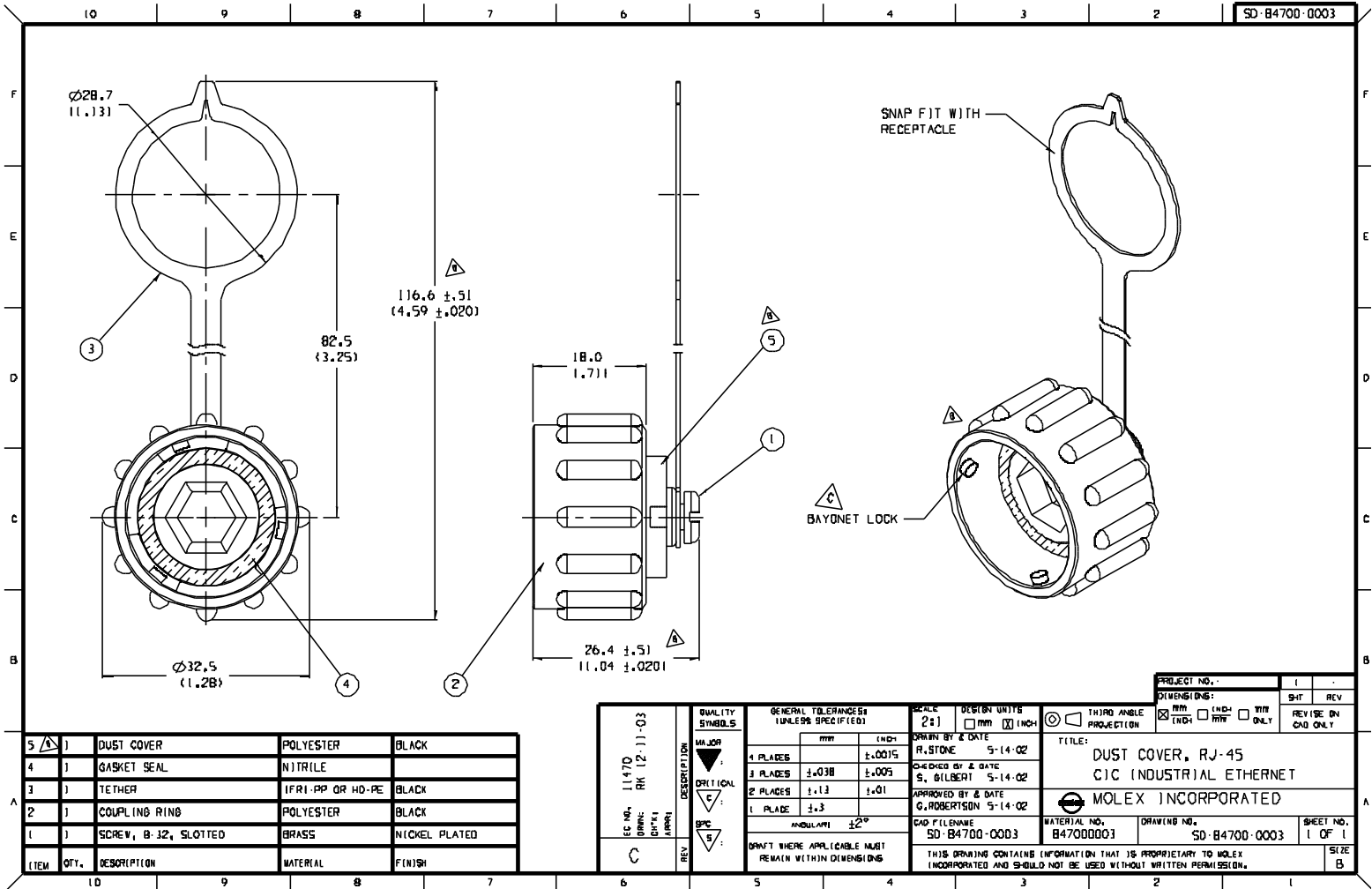
Circuits (Loaded)	8
Color - Resin	Black
Lock to Mating Part	No
Material - Resin	Polyester
Packaging Type	Bag
Temperature Range - Operating	-40°C to +60°C

Material Info

Reference - Drawing Numbers

Sales Drawing	SD-84700-0003
---------------	---------------

Thursday, December 18, 2003 10:44:45



SD-B4700-0003

ITEM	QTY.	DESCRIPTION	MATERIAL	FINISH
5	1	DUST COVER	POLYESTER	BLACK
4	1	GASKET SEAL	NITRILE	
3	1	TETHER	IFR1-PP OR HD-PE	BLACK
2	1	COUPLING RING	POLYESTER	BLACK
1	1	SCREW, 8-32, SLOTTED	BRASS	NICKEL PLATED

EC NO. 11470 DRWG. RK 12-11-03 DATE APR 01	DESCRIPTION MAJOR OPTIONAL SPEC	GENERAL TOLERANCES UNLESS SPECIFIED mm inch		SCALE 2:1 mm [X] inch	DESIGN UNITS mm [X] inch	THIRD ANGLE PROJECTION	PROJECT NO.	SHEET NO. 1 OF 1
		4 PLACES ±.005 3 PLACES ±.030 2 PLACES ±.12 1 PLACE ±.3 ANGULAR ±2°	DRAWN BY & DATE R. STONE 5-14-02 CHECKED BY & DATE S. GILBERT 5-14-02 APPROVED BY & DATE G. ROBERTSON 5-14-02	TITLE DUST COVER, RJ-45 CIC INDUSTRIAL ETHERNET	MATERIAL NO. B47000003	DRAWING NO. SD-B4700-0003	SHEET NO. 1 OF 1	SIZE B