

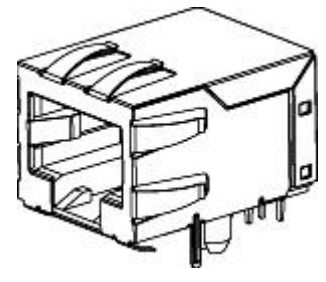
Datasheet
Modular Plugs and Jacks [Overview](#)

[[Home](#) > [Products](#) > [Modular Plugs and Jacks](#) > Datasheet]

44050-0001

Modular Jack, Right Angle, Low Profile, 8/8

View all parts in series 44050	2D Dimensions	E-mail this page	Samples	Buy
---	-------------------------------	----------------------------------	-------------------------	---------------------



Status	Active
Access Level	Internet
Component	PCB Jack
Ports	1
Positions / Loaded Contacts	8/8
Orientation	Right Angle (Side Entry)
Inverted / Top Latch	No
Product Name	RJ45
Performance Category	5
Shielded	No
Lightpipes/LEDs	None

This part is ELV and RoHS COMPLIANT	
ENVIRONMENT	
RoHS Compliant	Yes
Lead-free Process Capability Tested	No
Lead-free Process Capability	Wave Capable (TH only)

MOUNTING

Profile	Low
Grounding to PCB	No
PCB Mounting	Through Hole
Surface Mount Compatible (SMC)	Yes
PCB Retention	Snap-in Plastic Peg
PCB Thickness	1.6mm (.062")

PHYSICAL

Contact	Phosphor Bronze (CuSn)
Plating Contact	1.3µm (50µ") Gold (Au)
Plating Tail	2.5µm (100µ") Tin (Sn)
Under Plating	Nickel (Ni)
Packaging	Tray
Housing Material	PA Polyamide (Nylon), High Temperature, Glass-filled
Color	Black
Flammability	UL 94V-0
Comment	External Shield
Durability [mating cycles] min.	500 cycles

ELECTRICAL

Current-max [amps]	1.5A
Voltage-max [volts]	125V
Withstanding Voltage	1000V AC
Contact Resistance [ohms]	20 milliohms max.
Insulation Resistance [ohms]	500 Megohms min.

REFERENCE

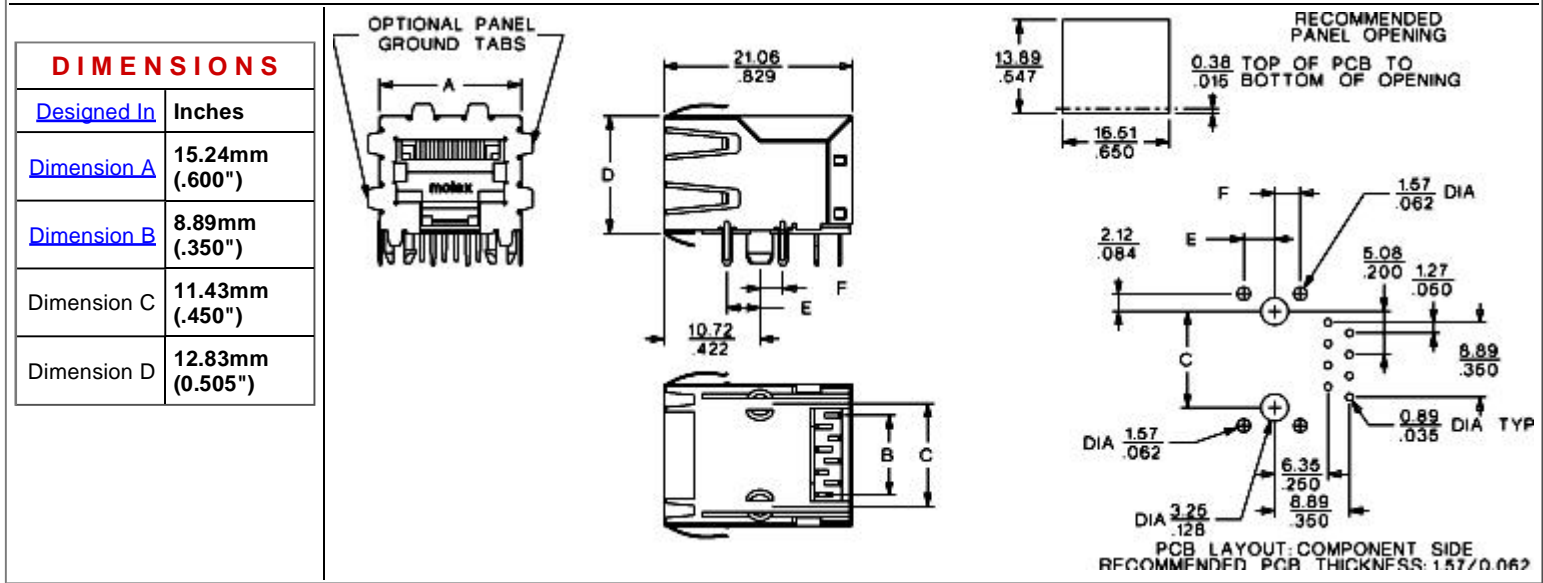
UL File Number	E107635
CSA File Number	LR149980

Features and Benefits

High-temperature material allows for surface mount compatibility during solder reflow
 100% electrically tested for hi-pot and continuity
 Exceeds Category 5 performance
 Meets Gigabit Ethernet industry standard
 Footprint meets industry standard
 Tabs on shield provide enhanced grounding to panel

Mates With	FCC 68 Plugs
Temperature Range	-40°C to +80°C
MX01 Catalog Page	O-10
Product Specification	PS-44050-003
Overview	Right Angle Modular Jacks[-8603]
Circuits / Positions	8
Loaded Contacts	8
Molex Series	44050
Product Management	Hirsch, Marty
Lab Office	UCP
Customer Approved	Intel

2D DRAWING - For reference only. See technical [Drawing \(PDF\)](#) for design-in purposes.



© Copyright 2005 Molex Incorporated
1.05 secs