


VS-A-F-IP67

Order No.: 1653744

<http://eshop.phoenixcontact.de/phoenix/treeViewClick.do?UID=1653744>Panel mounting frame, IP67, for Freenet system, for round panel
cutout, with grommet, without mounting screws, color: gray**Commercial data**

GTIN (EAN)	 4 017918 970123
sales group	D510
Pack	5 pcs.
Customs tariff	85389099
Catalog page information	Page 288 (PC-2011)

Product notesWEEE/RoHS-compliant since:
02/17/2006

<http://www.download.phoenixcontact.com>
Please note that the data given here has been taken from the online catalog. For comprehensive information and data, please refer to the user documentation. The General Terms and Conditions of Use apply to Internet downloads.

Technical data**Mechanical characteristics**

Number of slots	1
Insertion/withdrawal cycles	≥ 1000
Color	gray
Ambient temperature (operation)	-40 °C ... 80 °C

Material data

Inflammability class acc. to UL 94	V0
Housing material	PA
Material	Plastic
Sealing material	NBR
Seal material	NBR
Degree of protection	IP67

Electrical characteristics

Pollution degree	2
------------------	---

Accessories

Item	Designation	Description
Female insert		
1654329	VS-06-BU-BU-F/IP67	FireWire socket insert, 6-pos., socket on socket, for the Freenet system in the panel mounting frame, IP20 terminal outlet, 19" patch panel and service interface
1654332	VS-06-BU-FK-F/IP67	FireWire socket insert, 6-pos., socket on flat-ribbon cable terminal strip, for the Freenet system in the panel mounting frame, IP20 terminal outlet, 19" patch panel and service interface, pitch: 2.54 mm
1652936	VS-08-BU-RJ45-5-F/PK	RJ45 socket insert, for the Freenet system, CAT5e, 8-pos., shielded, with cable connection (IDC fast connection), for solid wires AWG 24 ... 22
1652949	VS-08-BU-RJ45-6-F/PK	RJ45 socket insert, for the Freenet system, CAT6, 8-pos., shielded, with cable connection (IDC fast connection), for litz and solid wires AWG 24 ... 22
1405617	VS-08-BU/BU-RJ45-F	RJ45 female insert, for Freenet system, for VS-08 and panel mounting frame CAT5e, 8-pos., socket on socket
1652978	VS-SCRJ-GOF-BU/BU	SCRJ socket insert, duplex, for VS-A-F-IP67 panel mounting frame, can be used for glass, multi-mode, HCS and polymer fibers

Marking

0814775	VS-ZBFM-8-SET	Marker label set, consisting of 4 sheets (white, blue, yellow, orange) each with 50 labels for color marking of sleeve housings and panel mounting frames with IP67 protection
---------	---------------	--

Panel mounting frame

1653838	VS-04-BUA-BUB-F/IP67	USB socket insert, 4-pos., socket USB type A on socket USB type B, for the Freenet system in the panel mounting frame, IP20 terminal outlet, 19" patch panel and service interface, pluggable from both directions
---------	----------------------	--

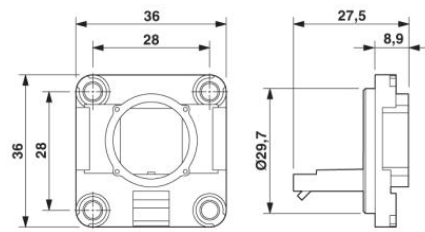
1653854	VS-04-BUA-FK-F/IP67	USB socket insert, 4-pos., socket USB type A on flat-ribbon cable terminal strip, pitch 2.54, for the Freenet system in the panel mounting frame, IP20 terminal outlet, 19" patch panel and service interface
1653867	VS-04-BUB-FK-F/IP67	USB socket insert, 4-pos., socket USB type B on flat-ribbon cable terminal strip, pitch 2.54, for the Freenet system in the panel mounting frame, IP20 terminal outlet, 19" patch panel and service interface

Protective covers

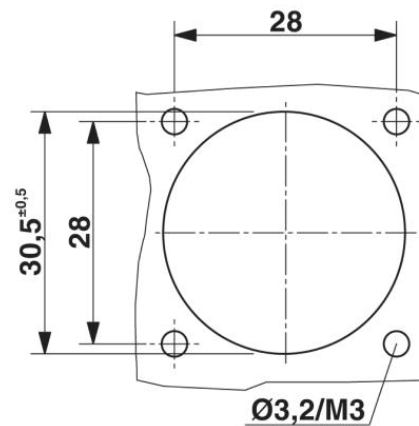
1689200	VS-08-SD	Protective cover, IP67, tall design
1652606	VS-08-SD-F	Protective cover, IP67, flat design, to cover the contact insert in the panel mounting frame, color: gray

Diagrams/Drawings

Dimensioned drawing



Panel mounting frame for Freenet system



Panel cutout

Address

PHOENIX CONTACT Inc., USA
586 Fulling Mill Road
Middletown, PA 17057, USA
Phone (800) 888-7388
Fax (717) 944-1625
<http://www.phoenixcon.com>



© 2011 Phoenix Contact
Technical modifications reserved;