



Series image - Reference only

EU RoHS

ELV and RoHS Compliant

China RoHS



Search Parts in this Series

84700 Series

Mates With

84700-0001 Inline Jack

Use With

84700-0003 Dust Cover

Application Tooling

Tooling specifications and manuals are found by selecting the products below. Crimp Height Specifications are then contained in the Application Tooling Specification document.

Global

Description

ServiceGrade™ Hand Tool, Modular Plug

Product

0640160044

Part Number: **0847000002**

Status: **Active** **Overview:** Industrial Ethernet

Description: Modular Plug, Industrial, 8/8, Panel Stops

General

| | |
|----------------------|----------------------------|
| Product Family | Modular Jacks/Plugs |
| Series | <u>84700</u> |
| Comments | Panel mounted jack |
| Component Type | Wire Plug |
| Overview | <u>Industrial Ethernet</u> |
| Performance Category | 5e |
| Product Name | Industrial |
| Product Name | RJ45 |

Physical

| | |
|--------------------------------|----------------|
| Color - Resin | Black |
| Durability (mating cycles) min | 500 cycles |
| Inverted / Top Latch | N/A |
| Lightpipes/LEDs | None |
| Material - Resin | Polyester |
| Orientation | N/A |
| PCB Retention | None |
| Packaging Type | Bag |
| Ports | 1 |
| Positions / Loaded Contacts | 8/8 |
| Surface Mount Compatible (SMC) | N/A |
| Temperature Range - Operating | -40°C to +60°C |
| Termination Interface: Style | N/A |
| Wire/Cable Type | Round |

Electrical

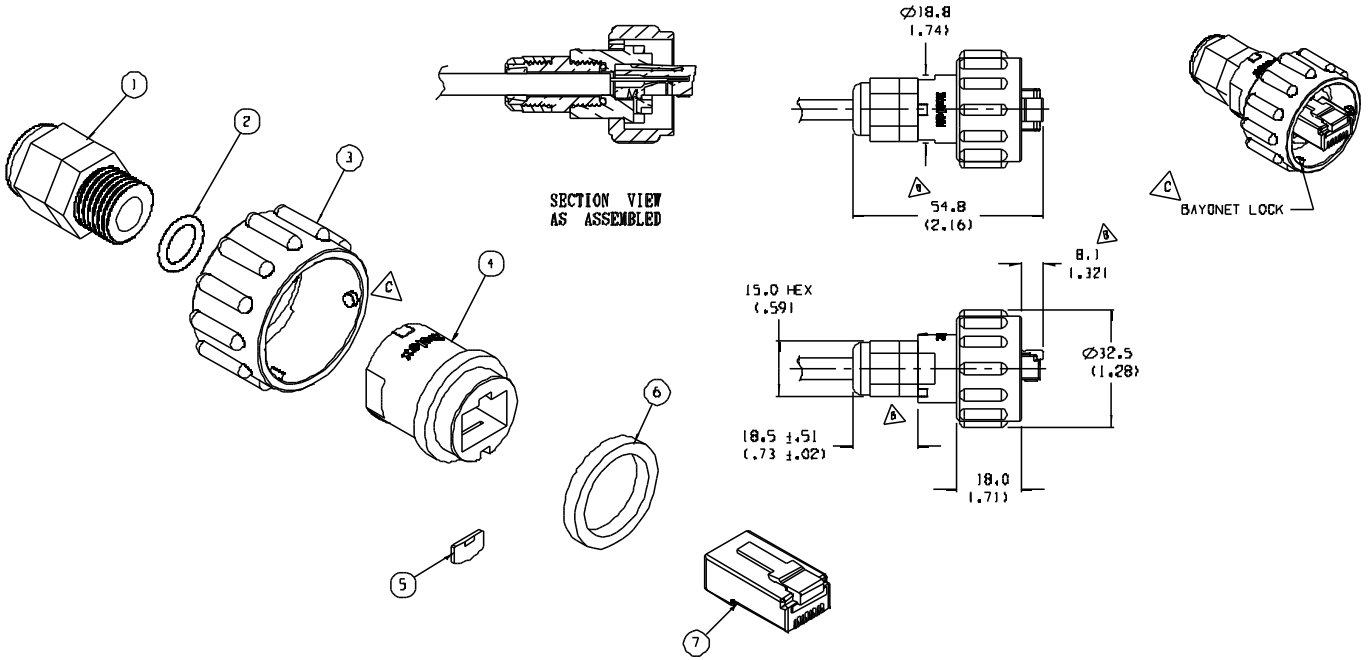
| | |
|--------------------|-----------|
| Current - Maximum | 1.500 Amp |
| Grounding to Panel | N/A |
| Shielded | Yes |
| Voltage - Maximum | 125V |

Material Info**Reference - Drawing Numbers**

| | |
|---------------|---------------|
| Sales Drawing | SD-84700-0002 |
|---------------|---------------|

Thursday, December 18, 2003 10:34:42

SD-B4700-0002



| ITEM | QTY. | DESCRIPTION | MATERIAL | FINISH |
|------|------|---------------------------------|---------------|--------|
| 7 | 1 | RJ-45 PLUG, LONG BODY, SHIELDED | | |
| 6 | 1 | GASKET SEAL | NITRILE | |
| 5 | 1 | RETAINER WEDGE | POLYESTER | BLACK |
| 4 | 1 | PLUG HOLDER | POLYESTER | BLACK |
| 3 | 1 | COUPLING RING | POLYESTER | BLACK |
| 2 | 1 | O-RING | NITRILE | |
| 1 | 1 | CABLE SEAL ASSY. | PA, TPE GLAND | BLACK |

| | | | | | |
|--|--|--|---|---|---------------------------|
| EC NO: 1147D DRWN: RK (2-11-02) CHKT: [] APPR: [] | QUALITY SYMBOLS MAJOR CRITICAL SPEC | GENERAL TOLERANCES UNLESS SPECIFIED 1 PLACES ±.0015 2 PLACES ±.038 ±.009 3 PLACES ±.13 ±.01 4 PLACES ±.3 | SCALE 1.5:1 DESIG UNITS [] mm [X] INCH DRAWN BY & DATE R. STONE 5-14-02 CHECKED BY & DATE S. BILBERT 5-14-02 APPROVED BY & DATE G. ROBERTSON 5-14-02 | PROJECT NO. C-020 DIMENSIONS: [X] mm [] INCH [] INCH ONLY [] INCH ONLY | SHEET NO. 1 OF 1 REV B |
| | | | | TITLE: PLUG, RJ45, FIELD WIRED CIC INDUSTRIAL ETHERNET MOLEX INCORPORATED | |
| ANGLE: 12° DRAFT WHERE APPLICABLE MUST REMAIN WITHIN DIMENSIONS | | | THIS DRAWING CONTAINS INFORMATION THAT IS PROPRIETARY TO MOLEX INCORPORATED AND SHOULD NOT BE USED WITHOUT WRITTEN PERMISSION. | | |