



FCIconnect.com

Copyright FCI

List of "SFV__R-1/2STE1LF" customer document

DOCUMENT NO.	LIST
SC-SFV03	SPEC.
JSA96144	CAT.NO.TABLE FOR 0.5mm CONTACT SPACING CONNECTOR (SFV__R-1/2ST_LF)
JSA96145	CONNECTOR USED FOR FPC/FFC WITH 0.5mm CONTACT SPACING (SFV__R-1ST_LF)
JSA96146	CONNECTOR USED FOR FPC/FFC WITH 0.5mm CONTACT SPACING (SFV__R-2ST_LF)
JSA96147	CAT.NO.TABLE FOR PLASTIC TAPE PACKAGED 0.5mm CONTACT SPACING CONNECTOR (SFV__R-1/2STE1LF)
JSA96148	PLASTIC TAPE PACKAGED 0.5mm CONTACT SPACING CONNECTOR (SFV__R-1STE1LF)
JSA96149	PLASTIC TAPE PACKAGED 0.5mm CONTACT SPACING CONNECTOR (SFV__R-2STE1LF)
JSA92456	RECOMMENDED CABLE (FPC) (SFV__R-1/2ST__)
JSA92457	RECOMMENDED CABLE (FFC) (SFV__R-1/2ST__)
BJM-SFV101	HANDLING PROCEDURES

mat'l. code			surface ISO 1302 <input checked="" type="checkbox"/>		tolerance ISO 406 ISO 1101		projection 		product family 58EF			
ltr	ecn no	dr	date		tolerances unless otherwise specified		title		sheet 1 of 1			
A	J04-0462	H.T	'04/12/17		angles		0.5mm SPACING FPC/FFC CONNECTOR DOCUMENT LIST		size			
B	J05-0227	H.T	'05/11/14		linear		(Cat. No. : SFV__R-1/2STE1LF)		A4			
C	J06-0372	H.T	'06/19/17				scale X		type Product Customer Drawing			
sheet index		revision sheet	C	1	dr	<i>[Signature]</i>	9/9/06			dwg no		JSA 96143
				engr	<i>[Signature]</i>	9/9/06	sheet 1 of 1					
				chr	<i>R. Shouji</i>	9/8/06	type Product Customer Drawing					
				appd	<i>[Signature]</i>	9/16/06	Rev. C					

CAT. NO. & DIMENSIONS

NO. OF CONTACTS (n)	CAT. NO.	DIMENSIONS (NOTE2)			
		A ± 0.2	B ± 0.2	C ± 0.1	D ± 0.1
4	SFV4R-1/2ST__LF	7.5	5.9	1.5	2.7
5	SFV5R-1/2ST__LF	8.0	6.4	2.0	3.2
6	SFV6R-1/2ST__LF	8.5	6.9	2.5	3.7
7	SFV7R-1/2ST__LF	9.0	7.4	3.0	4.2
8	SFV8R-1/2ST__LF	9.5	7.9	3.5	4.7
9	SFV9R-1/2ST__LF	10.0	8.4	4.0	5.2
10	SFV10R-1/2ST__LF	10.5	8.9	4.5	5.7
11	SFV11R-1/2ST__LF	11.0	9.4	5.0	6.2
12	SFV12R-1/2ST__LF	11.5	9.9	5.5	6.7
13	SFV13R-1/2ST__LF	12.0	10.4	6.0	7.2
14	SFV14R-1/2ST__LF	12.5	10.9	6.5	7.7
15	SFV15R-1/2ST__LF	13.0	11.4	7.0	8.2
16	SFV16R-1/2ST__LF	13.5	11.9	7.5	8.7
17	SFV17R-1/2ST__LF	14.0	12.4	8.0	9.2
18	SFV18R-1/2ST__LF	14.5	12.9	8.5	9.7
19	SFV19R-1/2ST__LF	15.0	13.4	9.0	10.2
20	SFV20R-1/2ST__LF	15.5	13.9	9.5	10.7
21	SFV21R-1/2ST__LF	16.0	14.4	10.0	11.2
22	SFV22R-1/2ST__LF	16.5	14.9	10.5	11.7
23	SFV23R-1/2ST__LF	17.0	15.4	11.0	12.2
24	SFV24R-1/2ST__LF	17.5	15.9	11.5	12.7
25	SFV25R-1/2ST__LF	18.0	16.4	12.0	13.2
26	SFV26R-1/2ST__LF	18.5	16.9	12.5	13.7
27	SFV27R-1/2ST__LF	19.0	17.4	13.0	14.2
28	SFV28R-1/2ST__LF	19.5	17.9	13.5	14.7
29	SFV29R-1/2ST__LF	20.0	18.4	14.0	15.2
30	SFV30R-1/2ST__LF	20.5	18.9	14.5	15.7
31	SFV31R-1/2ST__LF	21.0	19.4	15.0	16.2
32	SFV32R-1/2ST__LF	21.5	19.9	15.5	16.7
33	SFV33R-1/2ST__LF	22.0	20.4	16.0	17.2
34	SFV34R-1/2ST__LF	22.5	20.9	16.5	17.7
35	SFV35R-1/2ST__LF	23.0	21.4	17.0	18.2

CAT. NO. SFV (n) R - 1 ST __ LF

SERIES NAME

NO. OF CONTACTS

RIGHT ANGLE TYPE

FOR FPC/FFC, CONTACT DIRECTION

1. LOWER CONTACT TYPE
2. UPPER CONTACT TYPE

FOR AUTOMATIC MOUNTING (SMT)

PACKAGE STYLE

LEAD FREE

NOTES

- THIS PRODUCT IS THE CONNECTOR USED FOR FPC AND COPEES WITH AUTOMATIC MOUNTING (SMT).
- SEE PART DRAWINGS FOR DIMENSIONS A-D.

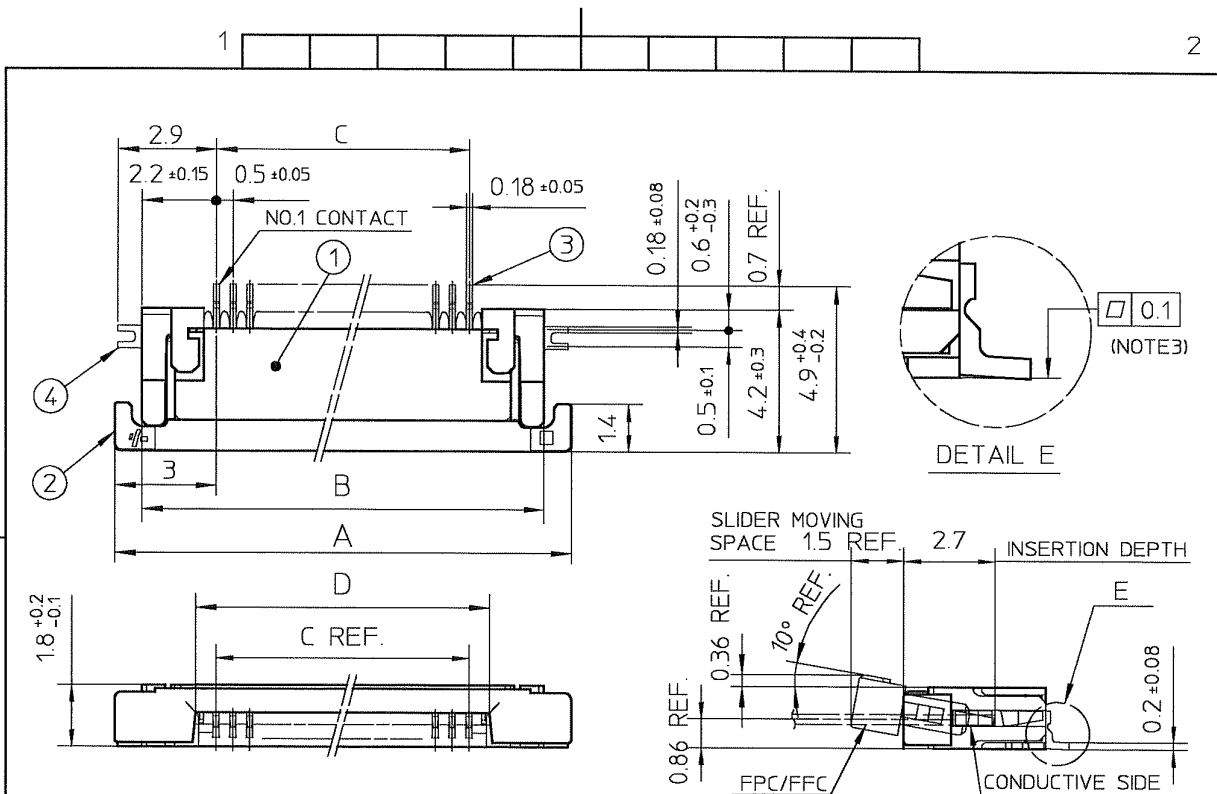


FCIconnect.com

Copyright FCI

mat'l. code				surface ISO 1302 <input checked="" type="checkbox"/> tolerance ISO 406 ISO 1101		projection		product family 58EF	
ltr	ecn no	dr	date	tolerances unless otherwise specified				title	
A	J04-0462	H.T	'04/12/17	angles	linear			CAT. NO. TABLE FOR 0.5 mm CONTACT SPACING CONNECTOR (Cat. No. : SFV__R-1/2ST__LF)	
B	J05-0227	H.T	'05/4/14			scale X		dwg no JSA 96144 sheet 1 of 1 size A4	
C	J06-0372	H.T	'06/9/17					type Product Customer Drawing	
sheet index		revision C	sheet 1					Rev. C	

SC-SFV03 JSA96145, 96146, 96147, 96148, 96149, 92456, 92457 form: A4

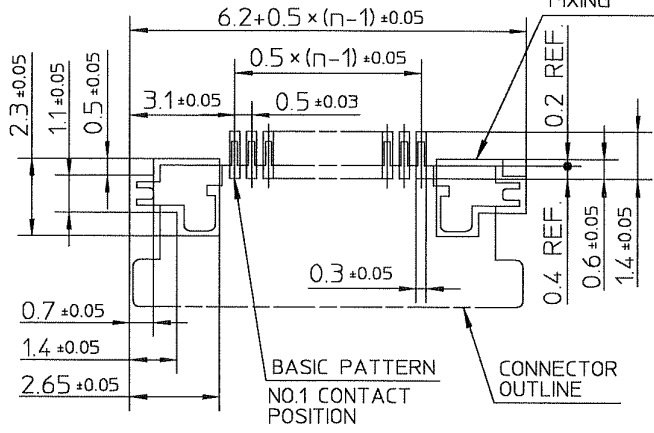


PT. NO.	PARTS NAME	MATERIAL	Q'TY	NOTE
1	HOUSING	POLYAMIDE RESIN GLASS REINFORCED (UL94V-0)	1	COLOR : BLACK
2	SLIDER	PPS RESIN GLASS REINFORCED (UL94V-0)	1	COLOR : BROWN
3	CONTACT	PHOSPHOR BRONZE	n	PLATING : MATTE PURE TIN Ni UNDER PLATED (LEAD FREE)
4	MOUNTING PLATE		2	

RECOMMENDED PC BOARD LAYOUT
(COMPONENT SIDE)

PATTERN FOR MOUNTING PLATE
FIXING

n : NO. OF CONTACTS

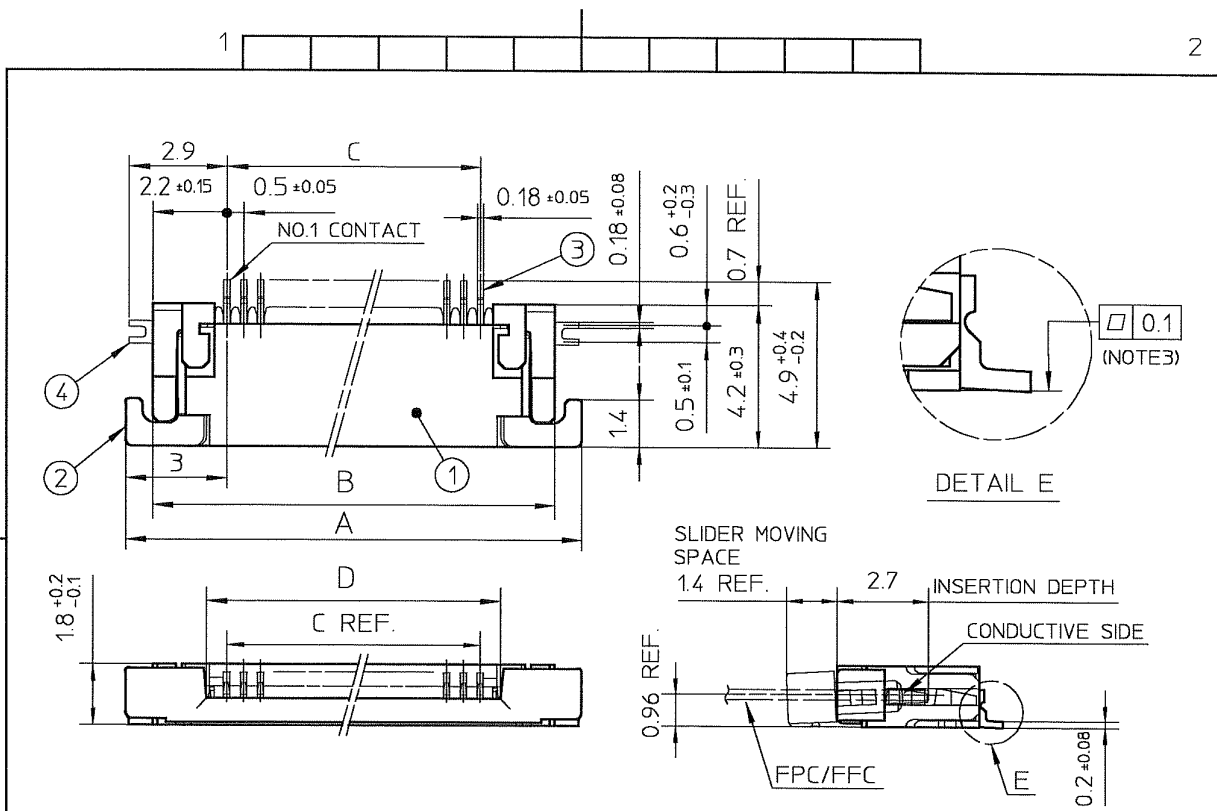


NOTES

- THIS PRODUCT IS THE CONNECTOR USED FOR FPC/FFC AND COPES WITH AUTOMATIC MOUNTING (SMT).
- THIS PRODUCT IS LOWER CONTACT TYPE CONNECTOR.
- FLATNESS OF CONTACT TERMINAL AND MOUNTING PLATE MUST BE WITHIN TOLERANCE IN E PORTION DETAILED DRAWING.
- THIS PRODUCT MEETS EUROPEAN UNION DIRECTIVES AND OTHER COUNTRY REGULATIONS AS DESCRIBED IN GS-22-008.
- THE HOUSING WILL WITHSTAND EXPOSURE TO 260°C PEAK TEMPERATURE FOR 10 SECONDS IN A REFLOW SOLDERING OVEN.

mat'l. code		surface ISO 1302		tolerance ISO 406 ISO 1101		projection		product family 58EF	
ltr	ecn no	dr	date	tolerances unless otherwise specified		title		CONNECTION USED FOR FPC/FFC WITH 0.5 mm CONTACT SPACING (Cat No. : SFV__R-1ST__LF)	
A	J04-0462	H.T	'04/12/17	angles	linear	scale		dwg no JSA 96145 sheet 1 of 1 size A4	
B	J05-0227	H.T	'05/11/14			FCI		type Product Customer Drawing	
C	J05-0710	H.T	'05/10/21						
D	J06-0064	H.T	'06/2/23						
E	J06-0372	H.T	'06/9/17						
sheet index		revision	E					Rev. E	
SC-SFV03 form: A4		JSA96144	1						

FCI FCIconnect.com Copyright FCI

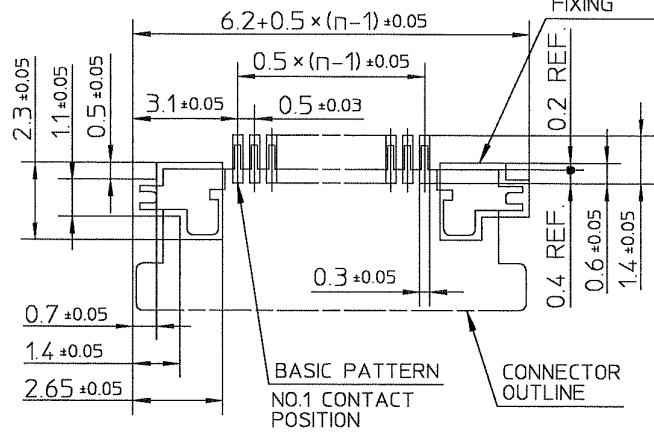


PT. NO.	PARTS NAME	MATERIAL	Q'TY	NOTE
1	HOUSING	POLYAMIDE RESIN GLASS REINFORCED (UL94V-0)	1	COLOR : BLACK
2	SLIDER	PPS RESIN GLASS REINFORCED (UL94V-0)	1	COLOR : BROWN
3	CONTACT	PHOSPHOR BRONZE	n	PLATING : MATTE PURE TIN NI UNDER PLATED (LEAD FREE)
4	MOUNTING PLATE		2	

RECOMMENDED PC BOARD LAYOUT
(COMPONENT SIDE)

PATTERN FOR MOUNTING PLATE
FIXING

n : NO. OF CONTACTS



NOTES

- THIS PRODUCT IS THE CONNECTOR USED FOR FPC/FFC AND COPE WITH AUTOMATIC MOUNTING (SMT).
- THIS PRODUCT IS UPPER CONTACT TYPE CONNECTOR.
- FLATNESS OF CONTACT TERMINAL AND MOUNTING PLATE MUST BE WITHIN TOLERANCE IN E PORTION DETAILED DRAWING.
- THIS PRODUCT MEETS EUROPEAN UNION DIRECTIVES AND OTHER COUNTRY REGULATIONS AS DESCRIBED IN GS-22-008.
- THE HOUSING WILL WITHSTAND EXPOSURE TO 260°C PEAK TEMPERATURE FOR 10 SECONDS IN A REFLOW SOLDERING OVEN.

mat'l. code				surface ISO 1302 ✓		tolerance ISO 406 ISO 1101		projection		product family 58EF	
ltr ecn no dr date				tolerances unless otherwise specified		angles linear ±0.2		title		CONNECTION USED FOR FPC/FFC WITH 0.5 mm CONTACT SPACING (Cat. No. : SFV__R-2ST__LF)	
A J04-0462 H.T '04/12/17								scale X		dwg no sheet 1 of 1 size	
B J05-0227 H.T '05/4/14								FCI		JSA 96146 A4	
C J05-0710 H.T '05/10/21										type Product Customer Drawing	
D J06-0064 H.T '06/2/23				dr 11/21/06							
E J06-0372 H.T '06/9/17				engr 11/21/06							
				chr R. Shouja 9/18/06							
				appd S. Oudani 9/11/06							
sheet index		revision E								Rev. E	
		sheet 1									

SC-SFV03 JSA96144 form: A4

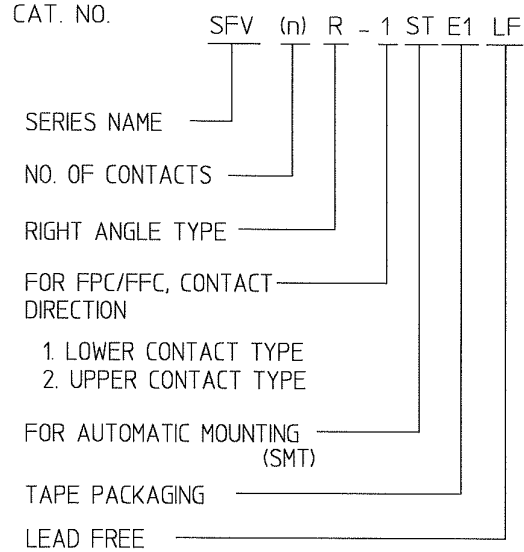


FCIconnect.com

Copyright FCI

CAT. NO. & DIMENSIONS

NO. OF CONTACTS (n)	CAT. NO.	DIMENSIONS (NOTE3)		
		F ± 5	G ± 0.3	H ± 0.1
4	SFV4R-1/2STE1LF	20.4	16	—
5	SFV5R-1/2STE1LF	20.4	16	—
6	SFV6R-1/2STE1LF	20.4	16	—
7	SFV7R-1/2STE1LF	28.4	24	—
8	SFV8R-1/2STE1LF	28.4	24	—
9	SFV9R-1/2STE1LF	28.4	24	—
10	SFV10R-1/2STE1LF	28.4	24	—
11	SFV11R-1/2STE1LF	28.4	24	—
12	SFV12R-1/2STE1LF	28.4	24	—
13	SFV13R-1/2STE1LF	28.4	24	—
14	SFV14R-1/2STE1LF	28.4	24	—
15	SFV15R-1/2STE1LF	28.4	24	—
16	SFV16R-1/2STE1LF	28.4	24	—
17	SFV17R-1/2STE1LF	28.4	24	—
18	SFV18R-1/2STE1LF	28.4	24	—
19	SFV19R-1/2STE1LF	28.4	24	—
20	SFV20R-1/2STE1LF	28.4	24	—
21	SFV21R-1/2STE1LF	28.4	24	—
22	SFV22R-1/2STE1LF	28.4	24	—
23	SFV23R-1/2STE1LF	36.4	32	28.4
24	SFV24R-1/2STE1LF	36.4	32	28.4
25	SFV25R-1/2STE1LF	36.4	32	28.4
26	SFV26R-1/2STE1LF	36.4	32	28.4
27	SFV27R-1/2STE1LF	36.4	32	28.4
28	SFV28R-1/2STE1LF	36.4	32	28.4
29	SFV29R-1/2STE1LF	36.4	32	28.4
30	SFV30R-1/2STE1LF	36.4	32	28.4
31	SFV31R-1/2STE1LF	48.4	44	40.4
32	SFV32R-1/2STE1LF	48.4	44	40.4
33	SFV33R-1/2STE1LF	48.4	44	40.4
34	SFV34R-1/2STE1LF	48.4	44	40.4
35	SFV35R-1/2STE1LF	48.4	44	40.4



NOTES

1. THIS PRODUCT IS THE CONNECTOR USED FOR FPC/FFC AND COPEs WITH AUTOMATIC MOUNTING (SMT).
2. THIS CATALOG NO. INDICATES PLASTIC TAPE PACKAGED CONNECTOR.
3. SEE PART DRAWINGS FOR DIMENSIONS F-H.

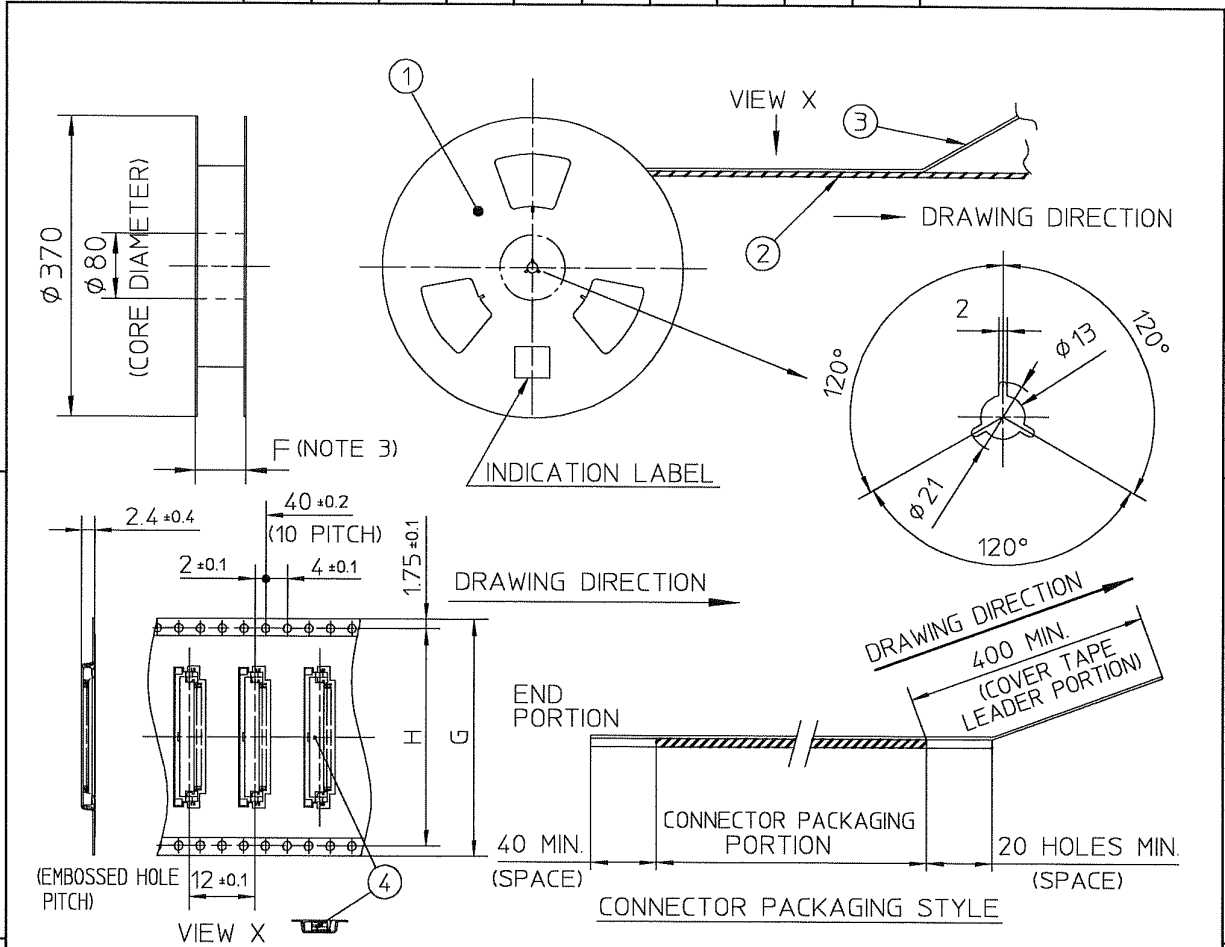


FCIconnect.com

Copyright FCI

mat'l. code				surface ISO 1302 ✓		tolerance ISO 406 ISO 1101		projection		product family 58EF	
ltr	ecn no	dr	date	tolerances unless otherwise specified						title CAT. NO. TABLE FOR PLASTIC TAPE PACKAGED 0.5 mm CONTACT SPACING CONNECTOR (Cat. No. : SFV__R-1/2STE1LF)	
A	J04-0462	H.T	'04/12/17	angles		linear					
B	J05-0227	H.T	'05/11/14					scale X		dwg no JSA 96147 sheet 1 of 1 size A4	
C	J06-0372	H.T	'06/9/17							type Product Customer Drawing	
sheet index		revision sheet	C 1								

SC-SFV03 JSA96144 form: A4



PT. NO.	PARTS NAME	CAT. NO.	MATERIAL	Q'TY	NOTE
1	REEL	—	CARDBOARD	1	COLOR : WHITE
2	PLASTIC (EMBOSS) TAPE	—	A-PET	—	COLOR : TRANSPARENCY
3	COVER	—	POLYESTER	—	COLOR : TRANSPARENCY
4	CONNECTOR	SFV__R-1ST_LF	SEE ATTACHED DWG.	3000	LOWER CONTACT TYPE

- NOTES
1. THIS IS PLASTIC TAPE PACKAGED CONNECTOR USED FOR FPC AND COPES WITH AUTOMATIC MOUNTING (SMT).
 2. SEE JIS C 0806 (PACKING OF ELECTRONIC COMPONENTS ON CONTINUOUS TAPES (SURFACE MOUNTING DEVICES)) FOR SHAPE AND DIMENSIONS OF PLASTIC (EMBOSS) TAPE AND REEL.
 3. F DIMENSION IS PORTION OF THE CORE.

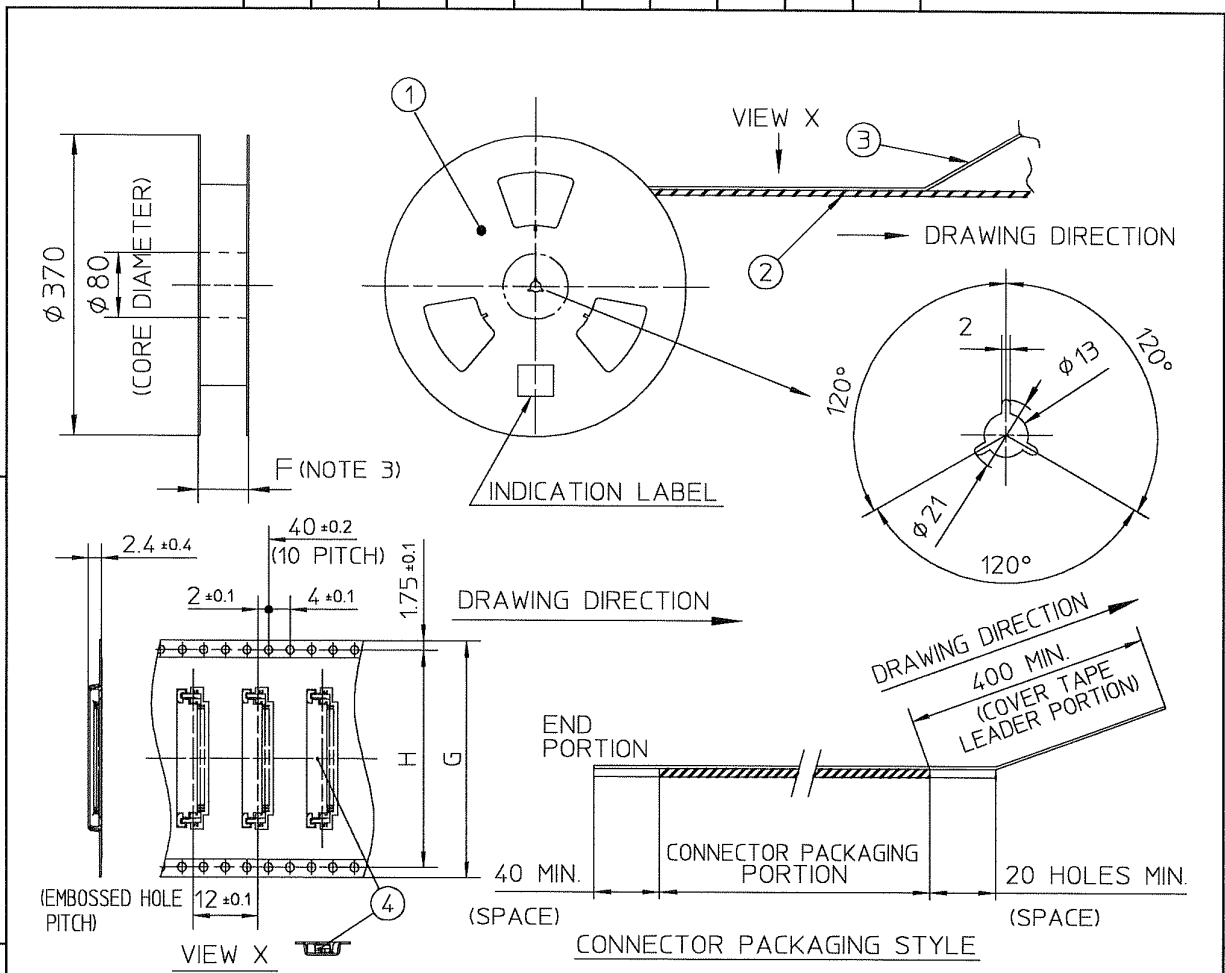
mat'l. code				surface ISO 1302 ✓		tolerance ISO 406 ISO 1101		projection		product family 58EF	
ltr	ecn no	dr	date	tolerances unless otherwise specified						title	
A	J04-0462	H.T	'04/12/17	angles	linear	±5				PLASTIC TAPE PACKAGED 0.5 mm CONTACT SPACING CONNECTOR (Cat. No. : SFV__R-1STE1LF)	
B	J05-0227	H.T	'05/4/14			±5°		scale X		dwg no JSA 96148	
C	J06-0372	H.T	'06/9/17							size A4	
				dr	9/9/06				type Product Customer Drawing		
				engr	9/7/06						
				chr	9/8/06						
				appd	9/11/06						
sheet index	revision	C									Rev. C
	sheet	1									



FCJconnect.com

Copyright FCJ





PT. NO.	PARTS NAME	CAT. NO.	MATERIAL	Q'TY	NOTE
1	REEL	_____	CARDBOARD	1	COLOR : WHITE
2	PLASTIC (EMBOSS) TAPE	_____	A-PET	—	COLOR : TRANSPARENCY
3	COVER	_____	POLYESTER	—	COLOR : TRANSPARENCY
4	CONNECTOR	SFV__R-2ST__LF	SEE ATTACHED DWG.	3000	UPPER CONTACT TYPE

NOTES

- THIS IS PLASTIC TAPE PACKAGED CONNECTOR USED FOR FPC AND COPEs WITH AUTOMATIC MOUNTING (SMT).
- SEE JIS C 0806 (PACKING OF ELECTRONIC COMPONENTS ON CONTINUOUS TAPES (SURFACE MOUNTING DEVICES)) FOR SHAPE AND DIMENSIONS OF PLASTIC (EMBOSS) TAPE AND REEL.
- F DIMENSION IS PORTION OF THE CORE.

mat'l. code				surface ISO 1302 <input checked="" type="checkbox"/>		tolerance ISO 406 ISO 1101		projection		product family 58EF		
ltr	ecn no	dr	date	tolerances unless otherwise specified				title		sheet 1 of 1		
A	J04-0462	H.T	'04/12/17	angles		±5		PLASTIC TAPE PACKAGED		size		
B	J05-0227	H.T	'05/4/14	linear				0.5 mm CONTACT SPACING CONNECTOR		A4		
C	J06-0372	H.T	'06/9/7	±5°				(Cat. No. : SFV__R-2STE1LF)		Rev.		
				dr	<i>H. Shoji</i>		9/7/06		type Product Customer Drawing		C	
				engr	<i>H. Shoji</i>		9/7/06		sheet 1 of 1		D	
				chr	<i>R. Shoji</i>		9/8/06		JSA 96149			
				appd	<i>S. (Shoji)</i>		9/11/06		FCI			
sheet index	revision	C										
	sheet	1										

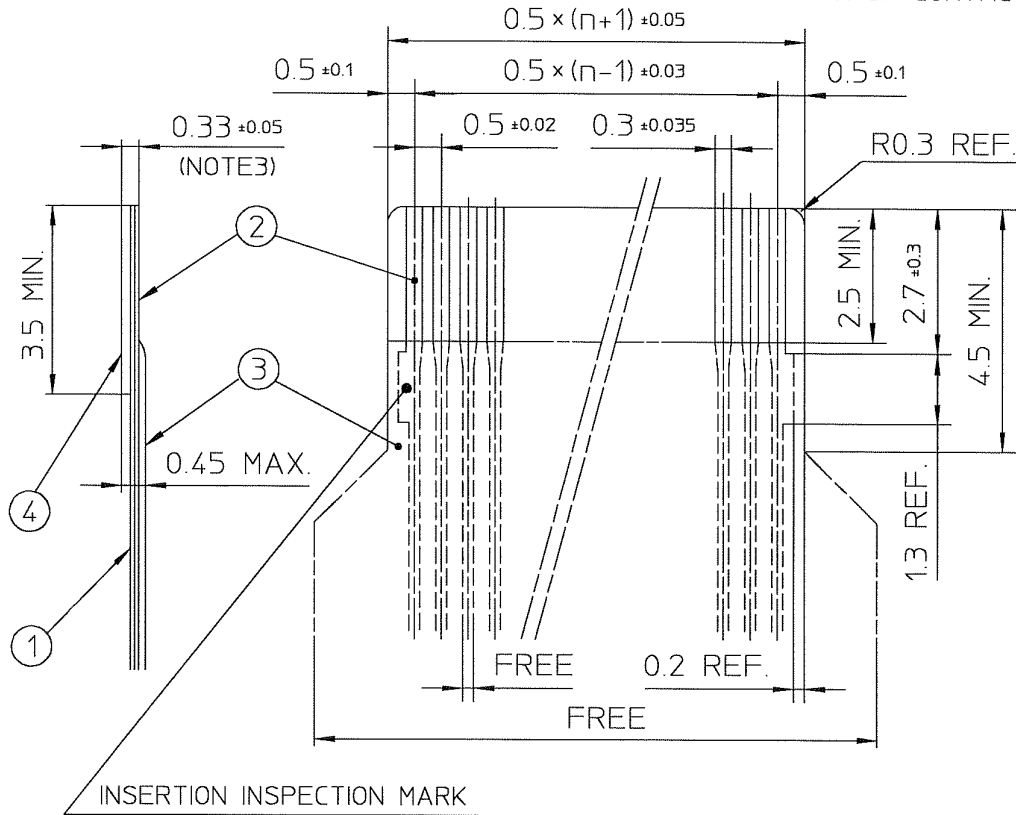


FCIconnect.com

Copyright FCI

RECOMMENDED CABLE (FPC)

n : NO. OF CONTACTS



PT. NO.	PARTS NAME	MATERIAL	THICKNESS(μm)
1	BASE FILM	POLYIMIDE OR POLYESTER OR EQUAL	25
2	CONDUCTOR	COPPER FOIL(PLATING : SOLDER 1μm MIN.)	35
3	OVERLAY	POLYIMIDE OR POLYESTER OR EQUAL	—
4	SUPPORTING TAPE	POLYESTER OR POLYIMIDE OR EQUAL	188

NOTES

1. NO BURR AT EACH PORTION.
2. NO PEELING IN COMMON USE.
3. TOTAL THICKNESS LIMIT OF EACH MATERIAL (INCLUDING ADHESIVE AGENT) IS SPECIFIED.

mat'l. code				surface ISO 1302 ✓		tolerance ISO 406 ISO 1101		projection 		product family 58EF	
ltr	ecn no	dr	date	tolerances unless otherwise specified				title RECOMMENDED CABLE (Cat. No. : SFV__R-1/2ST__)		dwg no JSA 92456 sheet 1of 1 size A4	
1	—	M.H	'94/12/8	angles		linear					
AA	J03-0196	H.T	'03/5/1								
AB	J06-0372	H.T	'06/9/7					scale X		type Product Customer Drawing	
sheet index		revision sheet	AB 1	dr engr chr appd		9/9/06 9/9/06 9/8/06 9/11/06				Rev. AB	

SC-SFV01 JSA92450 Form: A4

1

2

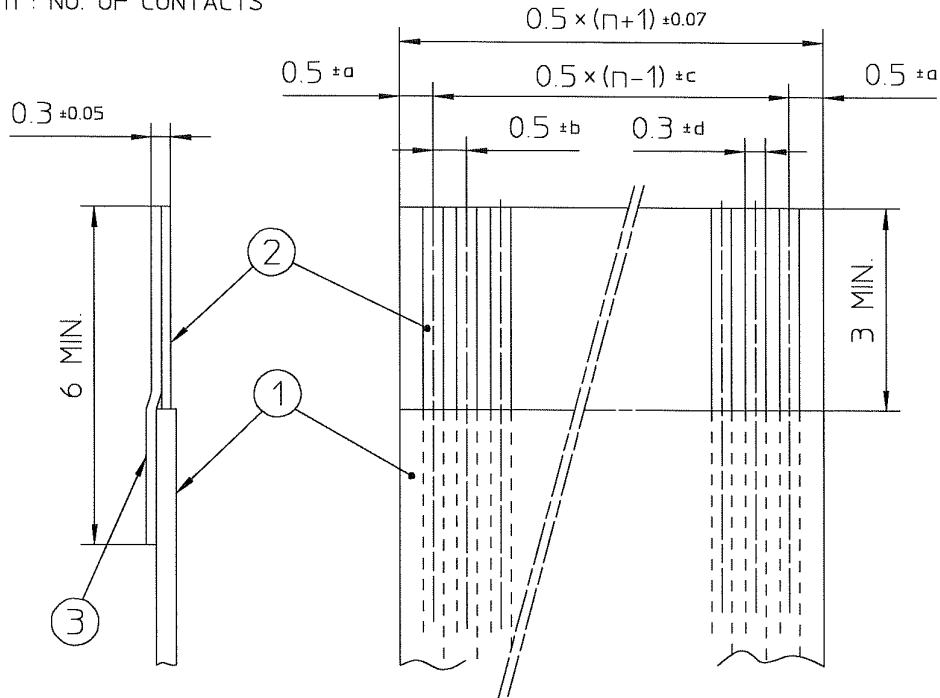


FCconnect.com

Copyright FCJ

RECOMMENDED CABLE (FFC)

n : NO. OF CONTACTS



KIND OF FFC (NOTE3)	DIMENSIONAL TOLERANCE			
	a	b	c	d
1	±0.07	±0.04	±0.05	±0.02
2	±0.1	±0.03	±0.03	±0.025

PT. NO.	PARTS NAME	MATERIAL	NOTE
1	INSULATOR	FLAME RESISTING POLYESTER OR EQUAL	_____
2	CONDUCTOR	COPPER FOIL:THICKNESS 35 OR 50 μm	PLATING : TIN OR SOLDER 1 μm MIN.
3	SUPPORTING TAPE	FLAME RESISTING POLYESTER OR EQUAL	_____

NOTES

1. NO BURR AT EACH PORTION.
2. NO PEELING IN COMMON USE.
3. EITHER KIND1 OR KIND2 OF FFC CAN ACCEPT DIMENSIONAL TOLERANCE a,b,c AND d.

mat'l. code				surface ISO 1302 <input checked="" type="checkbox"/>	tolerance ISO 406 ISO 1101	projection	product family 58EF	
ltr	ecn no	dr	date	tolerances unless otherwise specified			title	
1	—	S.I	'93/9/9	angles	linear		RECOMMENDED CABLE (Cat. No. : SFV__R-1/2ST__)	
AA	J03-0196	H.T	'03/5/1			scale X	sheet 1 of 1	
AB	J06-0372	H.T	'06/9/17	dr	<i>[Signature]</i> 11/27/06		sheet 1 of 1	
AC	J06-0499	H.T	'06/11/27	enr	<i>[Signature]</i> 11/27/06		JSA 92457	
				chr	<i>[Signature]</i> 11/27/06		A4	
				appd	<i>[Signature]</i> 11/28/06		type Product Customer Drawing	
sheet index	revision sheet	AC	1					Rev. AC

SC-SFV01 JSA92450 form: A4



FCIconnect.com

Copyright FCI