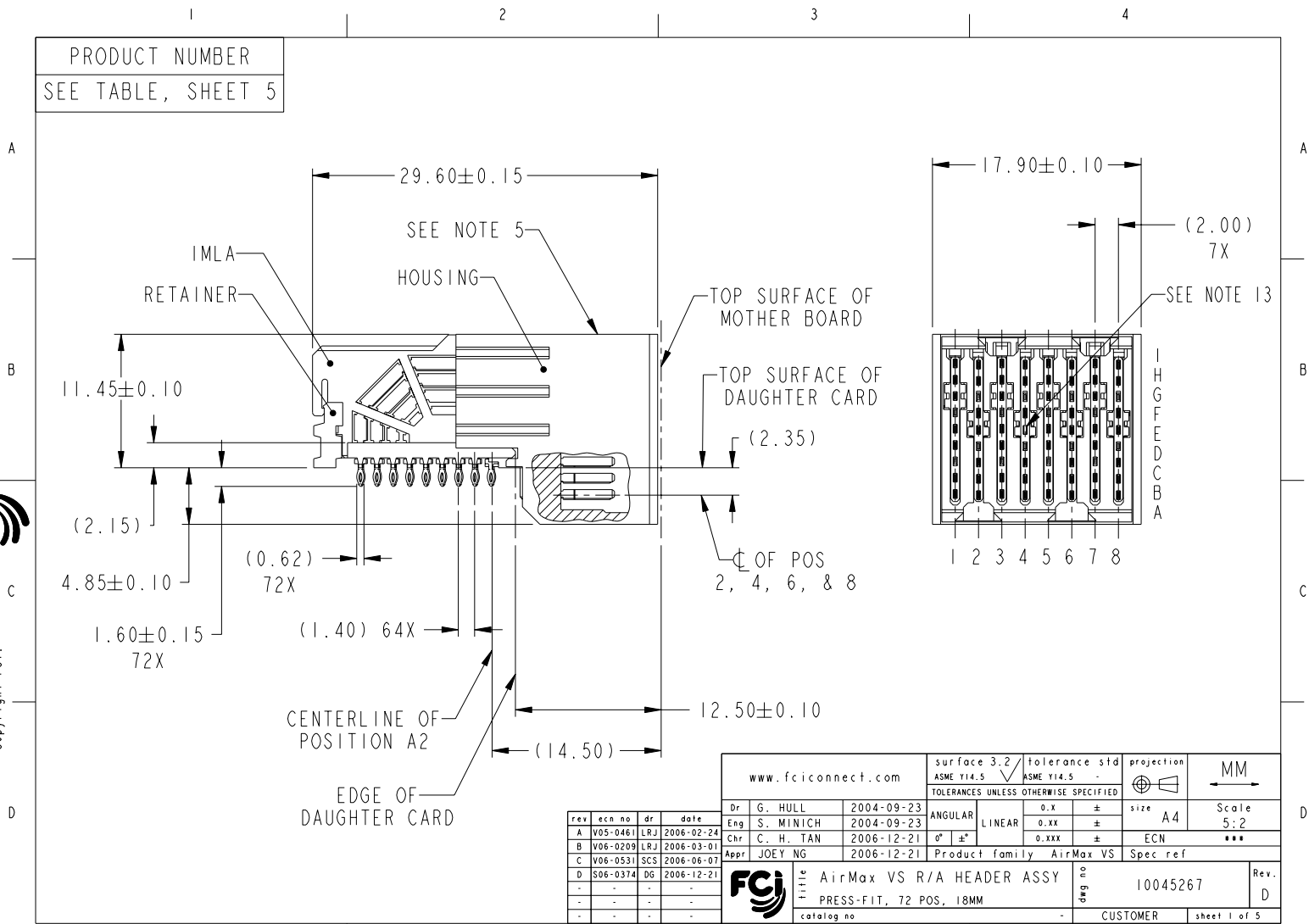


PRODUCT NUMBER  
SEE TABLE, SHEET 5



| rev | ecn no   | dr  | date       |
|-----|----------|-----|------------|
| A   | V05-0461 | LRJ | 2006-02-24 |
| B   | V06-0209 | LRJ | 2006-03-01 |
| C   | V06-0531 | SCS | 2006-06-07 |
| D   | S06-0374 | DG  | 2006-12-21 |
| -   | -        | -   | -          |
| -   | -        | -   | -          |

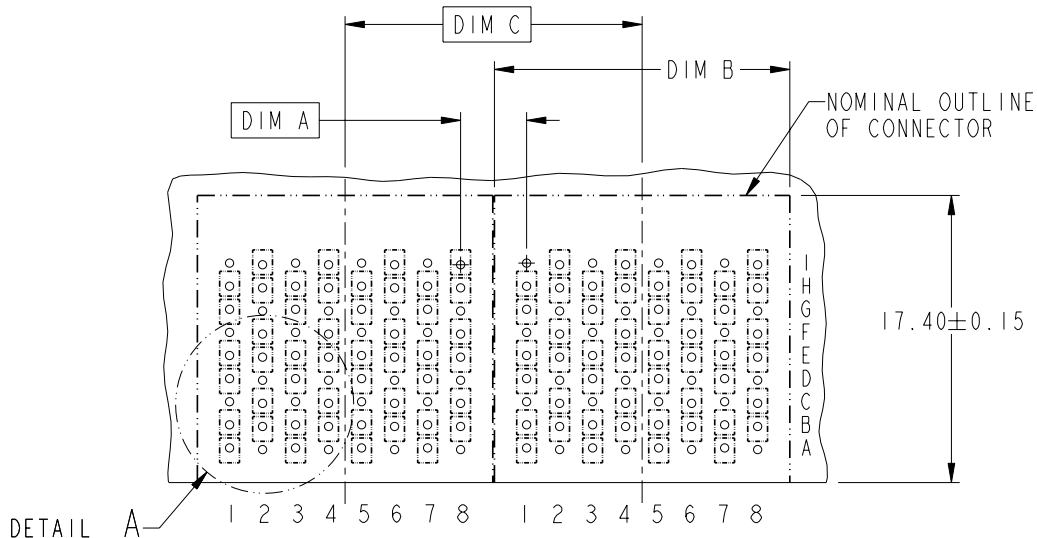
|                               |  |                                       |                             |                  |           |
|-------------------------------|--|---------------------------------------|-----------------------------|------------------|-----------|
| www.fciconnect.com            |  | surface 3.2<br>ASME Y14.5             | tolerance std<br>ASME Y14.5 | projection<br>A4 | MM        |
| Dr G. HULL 2004-09-23         |  | TOLERANCES UNLESS OTHERWISE SPECIFIED |                             | size             | Scale 5:2 |
| Eng S. MINICH 2004-09-23      |  | ANGULAR                               | 0.x ±                       | ECN              | ***       |
| Chr C. H. TAN 2006-12-21      |  | LINEAR                                | 0.xx ±                      |                  |           |
| Appr JOEY NG 2006-12-21       |  | 0° ±                                  | 0.xxx ±                     |                  |           |
| Product family AirMax VS      |  | Spec ref                              |                             |                  |           |
| FCJ AirMax VS R/A HEADER ASSY |  | part no                               | 10045267                    |                  | Rev. D    |
| catalog no                    |  | CUSTOMER                              |                             | sheet 1 of 5     |           |

Copyright FCI.



Copyright FCJ.

| DESCRIPTION   | DIM A | DIM B                  | DIM C |
|---|-------|------------------------|-------|
| 2-18MM MODULES<br>PLACED END-TO-END                   | 4.00  | 17.90 2X               | 18.00 |
| 1-16MM MODULE &<br>1-18MM MODULE<br>PLACED END-TO-END | 3.00  | 15.90 1X &<br>17.90 1X | 17.00 |



RECOMMENDED PCB LAYOUT  
FOR DIFFERENTIAL APPLICATIONS  
COMPONENT SIDE  
(TWO ADJACENT FOOTPRINTS SHOWN)  
NOTES 6 & 7

|  |             |                           |          |          |       |        |
|--|-------------|---------------------------|----------|----------|-------|--------|
|  | title       | AirMax VS R/A HEADER ASSY | drwg no  | 10045267 | Rev.  | D      |
|  | description | PRESS-FIT, 72 POS, 18MM   | customer | CUSTOMER | sheet | 2 of 5 |

REV F - 2008-04-17

PDM: Rev:D

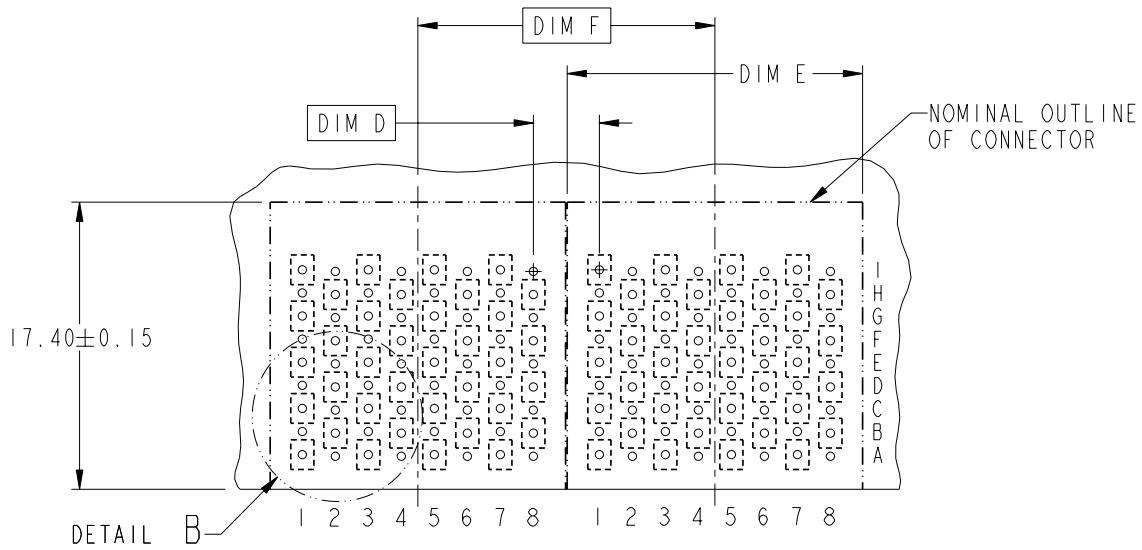
STATUS:Released

Printed: Dec 01, 2010



Copyright FCI.

| DESCRIPTION   | DIM D | DIM E                  | DIM F |
|---|-------|------------------------|-------|
| 2-18MM MODULES<br>PLACED END-TO-END                   | 4.00  | 17.90 2X               | 18.00 |
| 1-16MM MODULE &<br>1-18MM MODULE<br>PLACED END-TO-END | 3.00  | 15.90 1X &<br>17.90 1X | 17.00 |



RECOMMENDED PCB LAYOUT  
FOR SINGLE ENDED APPLICATIONS  
COMPONENT SIDE  
(TWO ADJACENT FOOTPRINTS SHOWN)  
NOTES 6 & 7



|             |                           |          |          |       |        |
|-------------|---------------------------|----------|----------|-------|--------|
| title       | AirMax VS R/A HEADER ASSY | drwg no  | 10045267 | Rev.  | D      |
| description | PRESS-FIT, 72 POS, 18MM   | customer | CUSTOMER | sheet | 3 of 5 |
| catalog no  |                           |          |          |       |        |

REV F - 2008-04-17

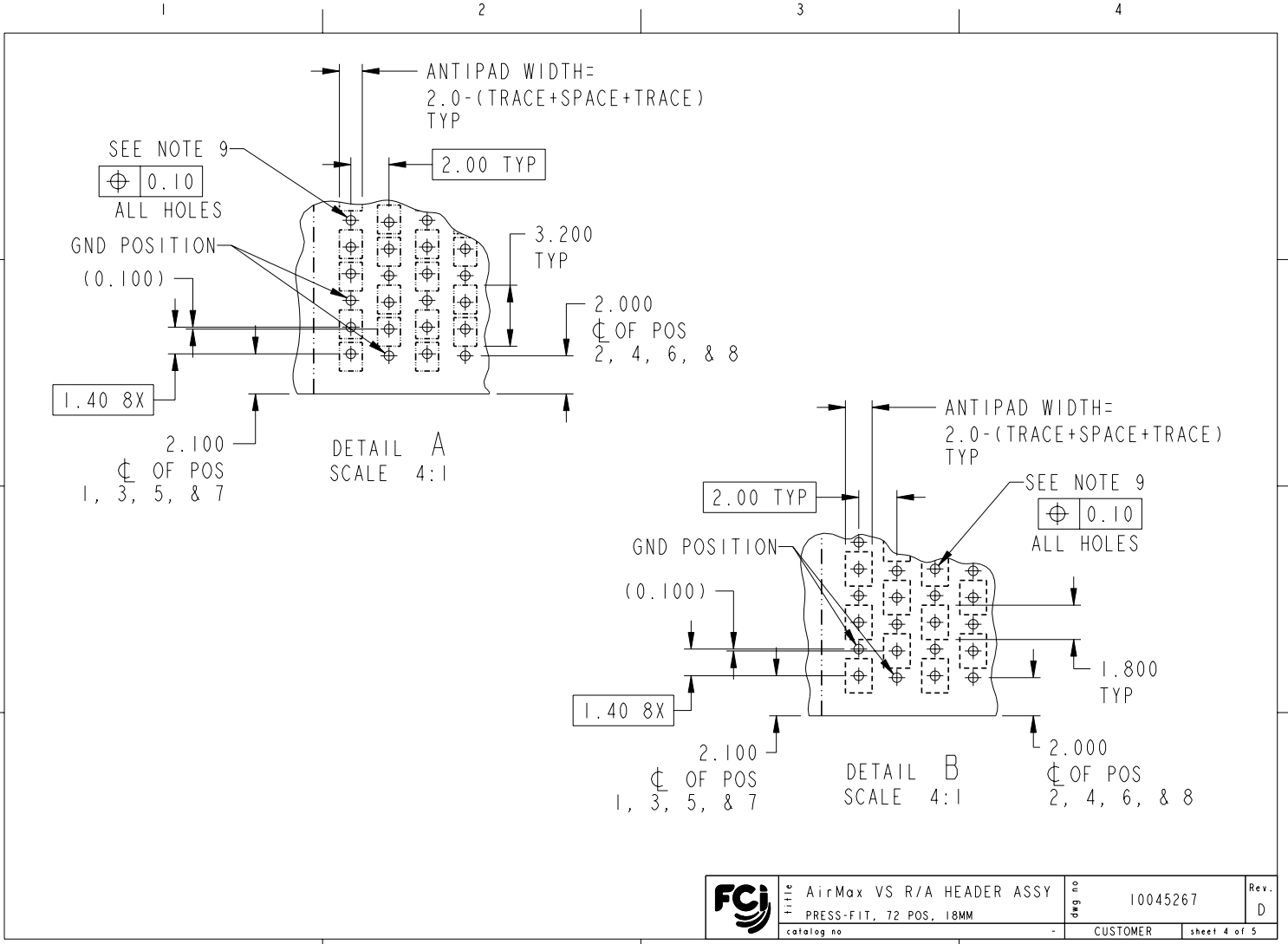
PDM: Rev:D

STATUS:Released

Printed: Dec 01, 2010



Copyright FCJ.

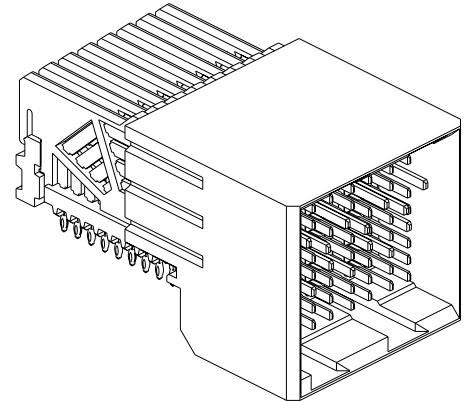


REV F - 2008-04-17

|  |            |                           |        |          |       |        |
|--|------------|---------------------------|--------|----------|-------|--------|
|  | title      | AirMax VS R/A HEADER ASSY | dwg no | 10045267 | Rev.  | D      |
|  | catalog no | PRESS-FIT, 72 POS, 18MM   | -      | CUSTOMER | sheet | 4 of 5 |

PDM: Rev:D STATUS:Released 4 Printed: Dec 01, 2010

| PART NUMBER    | PRESS-FIT TAIL PLATING TYPE | SHORT DETECT CONTACT |
|----------------|-----------------------------|----------------------|
| 10045267-101   | TIN/LEAD ALLOY OVER NICKEL  | NO                   |
| 10045267-101LF | TIN OVER NICKEL (LEAD FREE) |                      |
| 10045267-111   | TIN/LEAD ALLOY OVER NICKEL  | YES<br>(SEE NOTE 13) |
| 10045267-111LF | TIN OVER NICKEL (LEAD FREE) |                      |



NOTES:

1. CONNECTOR MATERIALS:  
HOUSING & RETAINER: HIGH TEMP THERMOPLASTIC, NATURAL, UL94V-0  
IMLA PLASTIC: HIGH TEMP THERMOPLASTIC, BLACK, UL94V-0  
CONTACT: COPPER ALLOY
2. CONTACT PLATING:  
SEPARABLE INTERFACE:  
PERFORMANCE-BASED PLATING, QUALIFIED TO MEET THE REQUIREMENTS OF FC1 PRODUCT SPECIFICATION GS-12-239 INCLUDING TELCORDIA GR-1217-CORE (NOVEMBER 1995) CENTRAL OFFICE TEST SEQUENCE  
  
PRESS-FIT TAILS: SEE TABLE
3. PRODUCT SPECIFICATION: GS-12-239
4. APPLICATION SPECIFICATION: GS-20-035
5. PRODUCT MARKING, (PART NUMBER & LOT CODE), ON THIS SURFACE
6. REFER TO CUSTOMER DRAWING 10035911 FOR INFORMATION REGARDING PCB LAYOUT OF POWER AND GUIDE MODULES RELATIVE TO SIGNAL MODULES
7. POSITIONS F OF ODD NUMBERED COLUMNS AND POSITIONS G OF EVEN NUMBERED COLUMNS CORRESPOND TO EARLY MATE HEADER PINS
8. THERE IS NO GROUND BUSSING WITHIN THE CONNECTOR SYSTEM
9. REFER TO CUSTOMER DRAWING 10045979 FOR INFORMATION ON PCB HOLE DIAMETERS AND PLATING OPTIONS.

10. LEAD FREE PRODUCT MEETS EUROPEAN UNION DIRECTIVES AND OTHER COUNTRY REGULATIONS AS DESCRIBED IN GS-22-008.
11. THE HOUSING WILL WITHSTAND EXPOSURE TO 260°C PEAK TEMPERATURE FOR 40 SECONDS IN A CONVECTION, INFRA-RED OR VAPOR PHASE REFLOW OVEN.
12. PACKAGING MEETS GS-14-920 LEAD FREE LABELING SPECIFICATION.
13. MATING PIN E4 HAS 0.5mm LESS NOMINAL WIPE THAN THE SHORTEST SIGNAL PIN.



Copyright FCJ.

|  |            |                           |         |          |       |        |
|--|------------|---------------------------|---------|----------|-------|--------|
|  | title      | AirMax VS R/A HEADER ASSY | drwg no | 10045267 | Rev.  | D      |
|  | catalog no | PRESS-FIT, 72 POS, 18MM   | -       | CUSTOMER | sheet | 5 of 5 |