

# **tyco**

*Electronics*

## **AdvancedTCA® Zone 1 (Z1) Power Connector**

8/05 2-1773441-7

### **DESCRIPTION**

Tyco Electronics AdvancedTCA Z1 Power connector is designed to meet and exceed the PICMG® 3.0 (AdvancedTCA) specification for Zone 1 connector requirements. It offer four levels of sequential mating to ensure proper system functionality during live insertion or extraction of linecards, per the PICMG Standard. It features precision formed power and signal contacts and is fully intermate-able with alternative connectors designed to the same standard.

### **APPLICATION**

The connector is designed for High-End Telecommunication equipment manufactured to the PICMG 3.0 (AdvancedTCA) Standard. It can be used in alternative applications along side a variety of high-speed backplane connectors, since the right angle housing does not hang over the pcb edge. Rugged contact design and post-plated 30 micro-inch gold plating ensures long-term reliability in demanding environments.

### **KEY FEATURES**

High Conductivity Precision Formed Contacts

- Contacts rated at 16 Amps in each of the 8 power contacts

Housing lead-in on receptacle

- Prevents stubbing of signal contacts

Selective Plating

- 30 micro-inch Gold in mating area. Tin on pcb tails - RoHS Compliant

Tyco Electronics' proven Eye-Of-Needle compliant pcb tail technology

- Ensure reliable connection to pcb, without use of hold-down screws.

Machine-aligned pcb tails

- Provide superior true-positioning of pcb tails

### **FOR MORE INFORMATION**

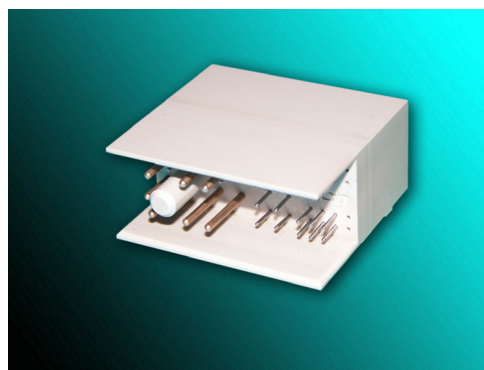
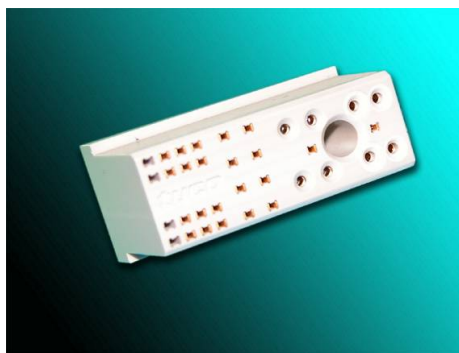
Internet: [www.tycoelectronics.com/power](http://www.tycoelectronics.com/power)

Name: Michael Blanchfield, Product Manager

Phone: 717-986-3383

Fax: 717-985-2833

E-mail: [mablanchfield@tycoelectronics.com](mailto:mablanchfield@tycoelectronics.com)



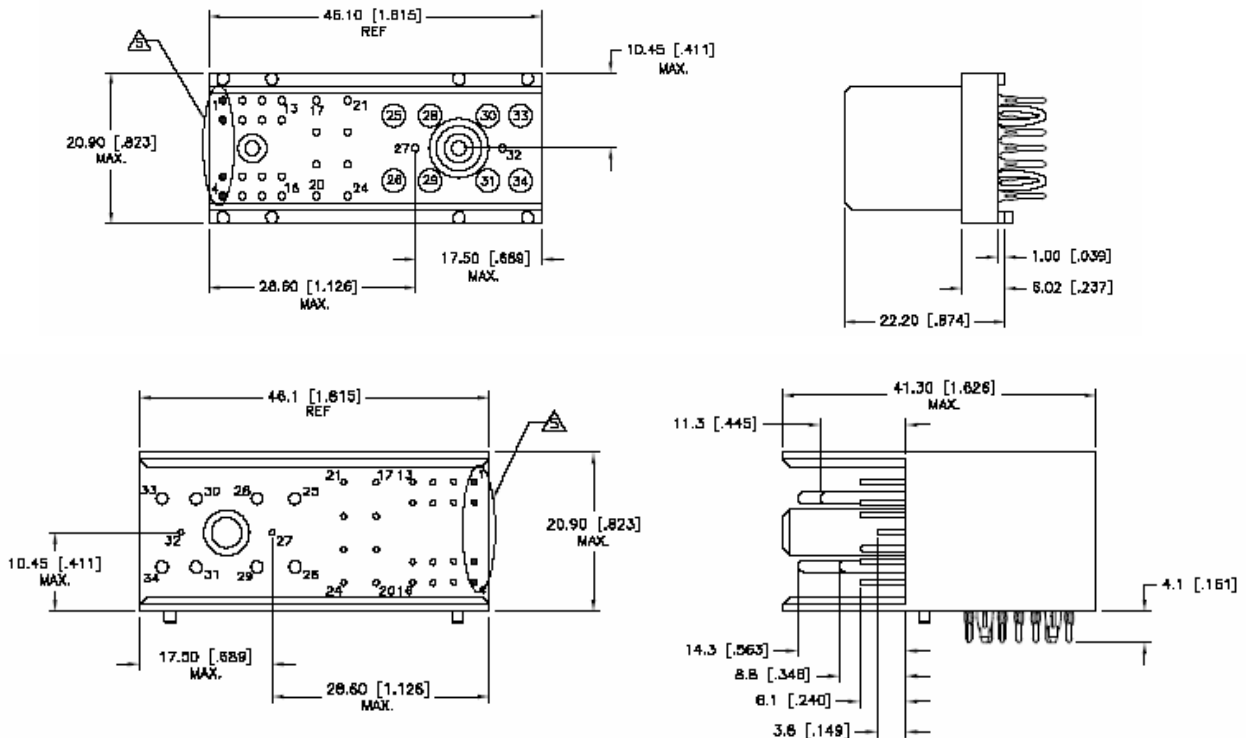
**New product**

# AdvancedTCA<sup>®</sup> Zone 1 (Z1) Power Connector

## PART NUMBER

Right Angle Plug: 1766500-1    Vertical Receptacle: 1766501-1

## PRODUCT DIMENSIONS



## TYPICAL ELECTRICAL PROPERTIES

Current Ratings – tested in accordance with CSA C22.2 No 182.3-M1987 and IEC 60512-3, Test 5a requirements:

Positions 1 – 24, 27, 32 - 1 Amp each, per the PICMG 3.0 Specification

Positions 25, 26, 28 - 31, and 34 - 16 Amps each, per the PICMG 3.0 Specification

Dielectric Withstanding Voltage

Positions 1 – 16 - 1000 Volts r.m.s.

Positions 17-24 - 2000 Volts r.m.s.

Positions 25-34 - 2000 Volts r.m.s.

## ENVIRONMENTAL PARAMETERS

Maximum Continuous Operating Temperature: 105°C

Durability rating: 250 Cycles, Per PICMG 3.0

## TECHNICAL DOCUMENTS

Tyco Electronics Product Specification: 108-2216

PICMG Specification: 3.0, Rev. 2.0

AdvancedTCA and PICMG are trademarks of PICMB-PCI Industrial Computer Manufacturers Group, Inc.

© by Tyco Electronics Corporation. All Rights Reserved. Tyco is a trademark

**tyco**  
Electronics