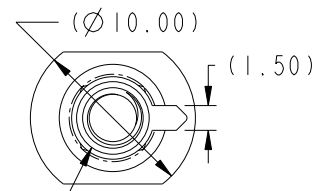
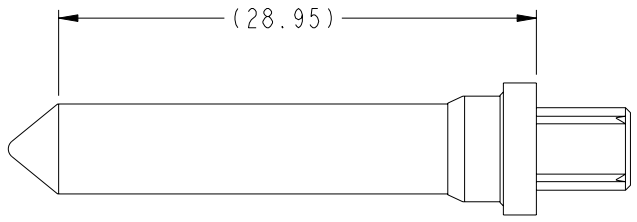
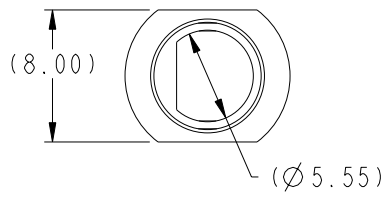
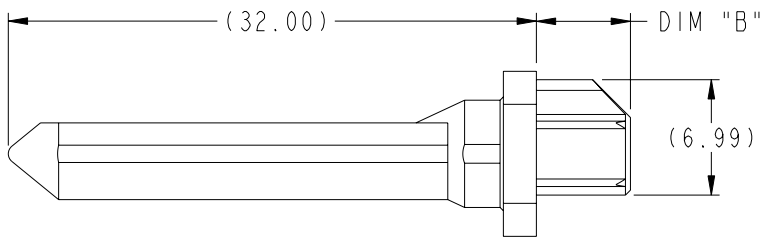




Copyright FCI.

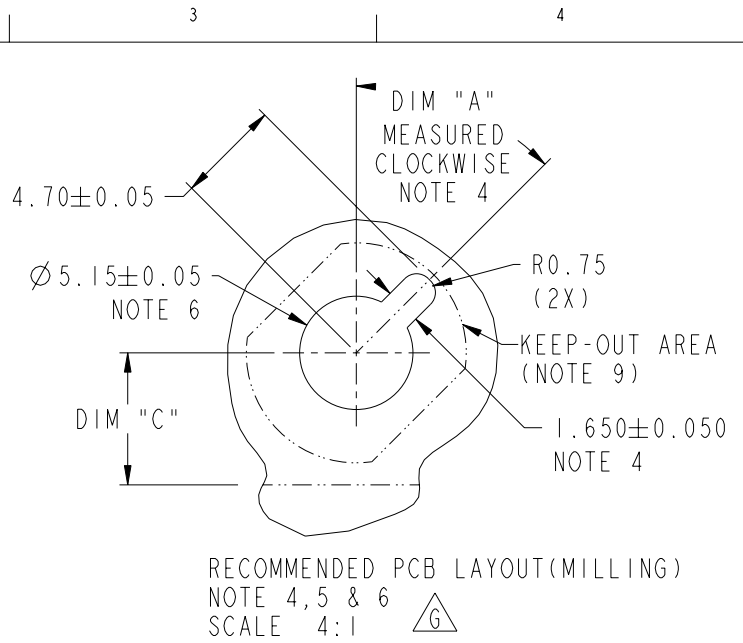
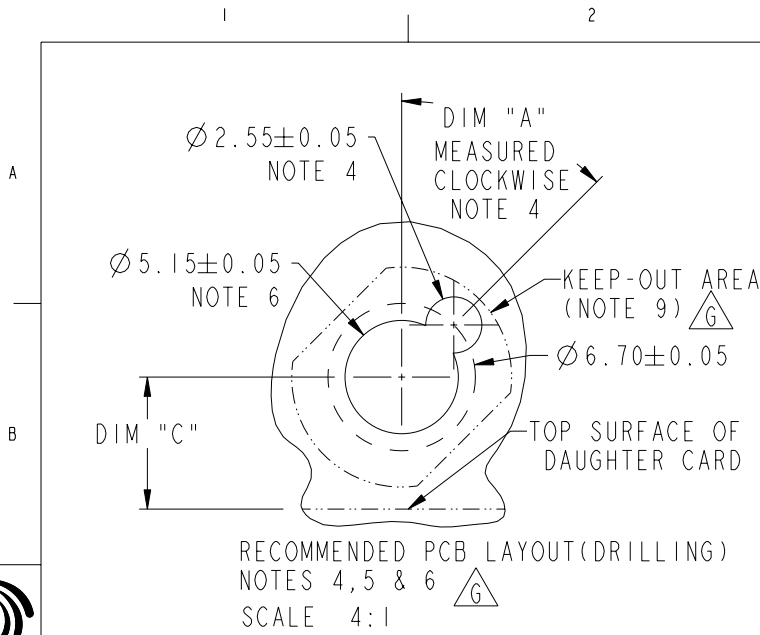
PRODUCT NUMBER
SEE TABLE, SHT 3



M3.5 X 0.6-6H
SEE TABLE DIM "D"
FOR THREAD DEPTH

www.fciconnect.com		surface3.200	tolerance std	projection	MM
		ASME Y14.5	ASME Y14.5		Scale 3:1
		TOLERANCES UNLESS OTHERWISE SPECIFIED			
Dr	A. RAISTRICK	2004-08-03	ANGULAR	0.x	±0.3
Eng	B. MARSHALL	2004-08-03	LINEAR	0.xx	±0.10
Chr	C. H. TAN	2008-05-05	0° ±2°	0.xxx	±0.05
Appr	JOEY NG	2008-05-05	Product Affinity Accessories	ECN	***
rev	ecn no	dr	date	Spec ref	-
A	V05-0103	AR	2005-01-27		
B	V05-0228	AR	2005-03-11		
C	V05-0241	AR	2005-03-15		
D	V05-0262	AR	2005-03-29		
E	S05-0237	CH	2005-08-23		
F	S06-0045	CH	2006-01-25		
G	S08-0112	CH	2008-04-14		
FCJ		10.8mm GUIDE PIN, INTERNAL THREAD		part no	10037911
catalog no		-		CUSTOMER	sheet 1 of 3

REV F - 2008-04-17

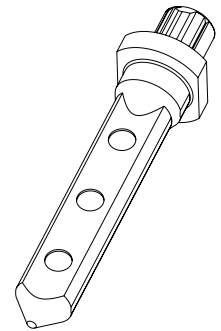





10.8 MM RECEPTACLE GUIDE MODULE NOTE 4	DIM "A"
10037912-1X1LF	0°
10037912-1X2LF	45°
10037912-1X3LF	90°
10037912-1X4LF	135°
10037912-1X5LF	180°
10037912-1X6LF	225°
10037912-1X7LF	270°
10037912-1X8LF	315°


FCJ	title	10.8mm GUIDE PIN, INTERNAL THREAD	drwg no	10037911	Rev.	G
	catalog no	-	CUSTOMER	sheet 2 of 3		

PDM: Rev:G STATUS:Released ⁴Printed: Dec 01, 2010

PRODUCT NUMBER	DIM "B"	DIM "C" 4/5 PAIR	DIM "C" 2/3 PAIR	DIM "D"
10037911-101LF	5.70	6.00	4.50	6.60
10037911-102LF	2.75	6.00	4.50	4.10
10037911-103LF	3.20	6.00	4.50	4.10
10037911-104LF	2.40	6.00	4.50	4.10



1. MATERIAL: ZINC ALLOY
2. FINISH: ZINC YELLOW CHROMATE
3. APPLICATION SPECIFICATION: GS-20-045
- ④ KEY HOLE ORIENTATION (DIM "A") WILL BE DEFINED BY THE MATING RECEPTACLE GUIDE MODULE PART NUMBER - SEE TABLE (ORIENTATION SHOWN IS FOR 10037912-1X2LF)
- ⑤ REFER TO CUSTOMER DRAWING 10035911 FOR INFORMATION REGARDING PCB LAYOUT OF POWER AND GUIDE MODULES RELATIVE TO SIGNAL MODULES
- ⑥ THRU HOLE PLATING AND ANNULAR RINGS MUST BE ADDED IN APPLICATIONS THAT USE THE ESD GROUNDING OPTION FINISHED HOLE SIZE IS THE SAME REGARDLESS OF PLATED BARREL OR NOT.
7. THIS PRODUCT MEETS EUROPEAN UNION DIRECTIVES AND OTHER COUNTRY REGULATIONS AS DESCRIBED IN GS-22-008.
8. PACKAGING MEETS GS-14-920 LEAD FREE LABELING SPECIFICATION.
- ⑨  KEEP OUT ZONE MATCH PROFILE OF SEATED GUIDE PIN, SEE SHEET 1 FOR REFERENCE DIMENSIONS OF GUIDE PIN OUTLINE.
- ⑩  A  SYMBOL WILL BE NEXT TO ANY DIMENSION, VIEW OR NOTE WHICH HAS BEEN MODIFIED WITH THE CURRENT DRAWING REVISION.

	title	10.8mm GUIDE PIN, INTERNAL THREAD	drwg no	10037911	Rev.	G
	catalog no	-	CUSTOMER	sheet	3 of 3	

REV F - 2010-04-17

PDM: Rev:G

STATUS:Released ⁴Printed: Dec 01, 2010



Copyright FCJ.