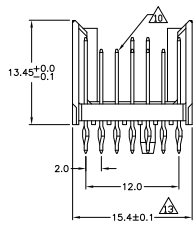
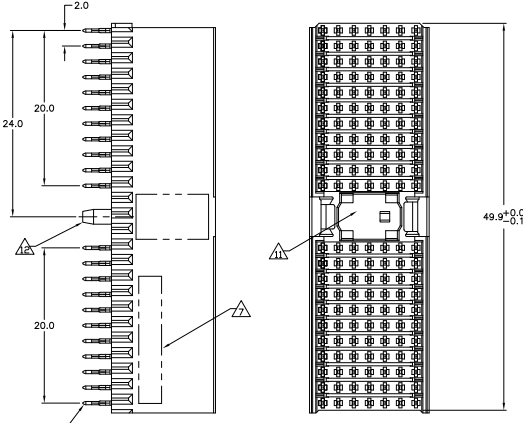


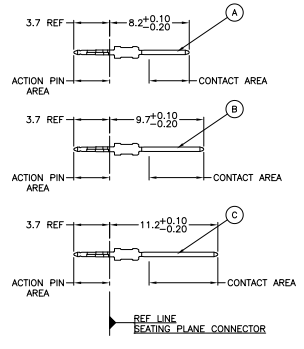
THIS DRAWING IS UNPUBLISHED
 ALL RIGHTS RESERVED

| REV | DATE | DESCRIPTION | BY | CHK | APP |
|-----|------|---------------------------|----|---------|--------|
| AD | 00 | | | | |
| B1 | | REVISED PER EDD-11-005033 | | 29M0111 | RK HMR |

**CONNECTOR ASSEMBLY
 EXEMPLARY LOADED**



CONTACT DIMENSIONS
 SCALE 5:1

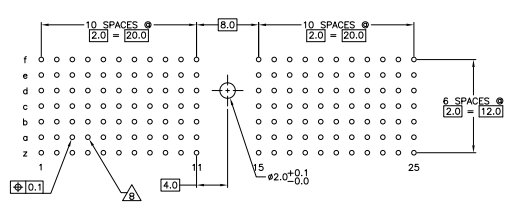


CONTACT LAYOUT

| | z | a | b | c | d | e | f |
|----------------------|---|---|---|---|---|---|---|
| 1 | C | B | B | B | B | C | |
| 2 | C | B | B | B | B | C | |
| 3 | C | B | B | B | B | C | |
| 4 | C | B | B | B | B | C | |
| 5 | C | B | B | B | B | C | |
| 6 | C | B | B | B | B | C | |
| 7 | C | B | B | B | B | C | |
| 8 | C | B | B | B | B | C | |
| 9 | C | B | B | B | B | C | |
| 10 | C | B | B | B | B | C | |
| MULTI PURPOSE CENTER | | | | | | | |
| 15 | C | B | B | B | B | C | |
| 16 | C | B | B | B | B | C | |
| 17 | C | B | A | B | C | B | C |
| 18 | C | B | B | B | B | C | |
| 19 | C | B | B | B | B | C | |
| 20 | C | B | B | B | B | C | |
| 21 | C | B | B | B | B | C | |
| 22 | C | B | B | B | B | C | |
| 23 | C | B | B | B | B | C | |
| 24 | C | B | B | B | B | C | |
| 25 | C | B | B | B | B | C | |

**RECOMMENDED PCB-HOLE LAYOUT
 COMPONENT SIDE SHOWN**

PLATED THRU HOLES PARAMETERS
 REFERENCE APPLICATION SPECIFICATION



| | |
|----------|-------------|
| OBSELETE | 1-5352332-9 |
| | 5352332-9 |
| | 5352332-4 |
| | 5352332-1 |
| FINISH | PART NUMBER |

| | | | | | | | | |
|--|----|-----------|-----------|-----------|--------------------------------------|------|-----|------|
| THIS DRAWING IS A CONTROLLED DOCUMENT. | | REVISED | ISSUED | DATE | DESCRIPTION | BY | CHK | APP |
| DESIGNED | BY | 108-19082 | 108-19082 | 114-19029 | MALE ASSEMBLY, 2-PACK 2mm HM, TYPE A | | | |
| ISSUED | BY | 114-19029 | 114-19029 | 100779 | 5352332 | | | |
| REVISED | BY | | | | | | | |
| DATE | BY | DATE | BY | DATE | BY | DATE | BY | DATE |
| | | | | | | | | |

| | |
|-----------------------------|---------------------------|
| THIS DRAWING IS UNPUBLISHED | NECESSARY FOR FABRICATION |
| © SUPPLIER | ALL RIGHTS RESERVED |

| | | | | |
|----------|------|-------------|----|-------|
| REV. NO. | DATE | DESCRIPTION | BY | APP'D |
| AD 00 | | | | |
| | | SEE SHEET 1 | | |

- △ MATERIAL:
CONTACT: PHOSPHOR BRONZE.
HOUSING: GLASS-FILLED POLYESTER.
- △ GENERAL PLATING SPECIFICATION: UNDERPLATING
(ENTIRE CONTACT): 1.27µm MIN NICKEL AND ACTION
PIN: 0.5µm MIN TIN
FOR PLATING OF MATING SURFACES SEE APPLICABLE
SPECIFICATION REFERENCE FOR EACH DASH NUMBER.
- △ CONFORMS TO ALL TESTING ACCORDING TO IEC 61076-4-101
PERFORMANCE LEVEL 2.
- △ CONFORMS TO ALL TESTING ACCORDING TO IEC 61076-4-101
PERFORMANCE LEVEL 1.
- △ CONNECTOR TESTED AND QUALIFIED AGAINST TELCORDIA GR-1217-CORE QUALITY LEVEL 3,
CENTRAL OFFICE APPLICATIONS.
- △ CONNECTOR TESTED AND QUALIFIED AGAINST TELCORDIA GR-1217-CORE QUALITY LEVEL 3,
UNCONTROLLED ENVIRONMENT APPLICATIONS.
- △ CONNECTOR MARKED WITH PART NUMBER AND DATE CODE.
ADDITIONAL CHARACTERS OR MARKINGS, AS WELL AS THE LOCATION OF THE MARKINGS,
MAY BE ADDED FOR TRACEABILITY BASED UPON MANUFACTURERS DISCRETION.
- △ PLATED-THROUGH HOLES AT 2x2mm SQUARE GRID
PATTERN DEFINED BY CONTACT LAYOUT.
- △ FOR ACTUAL PIN LOADING SEE "CONTACT LAYOUT".
- △ FOR ACTUAL PIN DIMENSIONS SEE "CONTACT DIMENSIONS".
- △ AREA RESERVED FOR KEYING PART (BASIC P/N 100525)
- △ POLARIZATION FEATURE.
- △ TO BE MEASURED AT BOTTOM OF SHROUD.
- △ CONNECTOR LUBRICATED WITH BELCORE APPROVED LUBRICANT,
TECHNICAL REFERENCE: TR-NWT-001217 ISSUE 1, SEP 1992.

| | | | | | | |
|--|--|--------------------------------------|------|-------------|----|-------|
| THIS DRAWING IS A CONTROLLED DOCUMENT. | | REV. NO. | DATE | DESCRIPTION | BY | APP'D |
| DRAWING NO. | | 108-19082 | | | | |
| REV. NO. | | AD 00 | | | | |
| DATE | | 114-19029 | | | | |
| DESCRIPTION | | MALE ASSEMBLY, 2-PACK 2mm HM, TYPE A | | | | |
| DRAWN BY | | A1 00779 | | | | |
| CHECKED BY | | G=6352332 | | | | |
| CUSTOMER DRAWING | | FORM 4.1 SHEET 2 OF 2 | | | | |