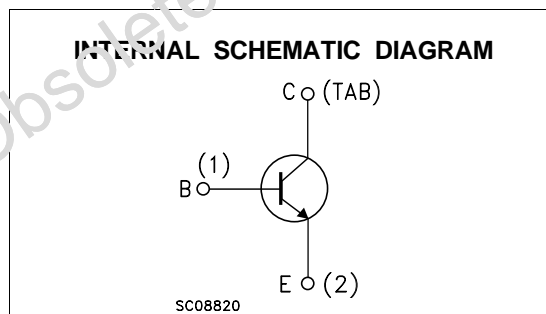
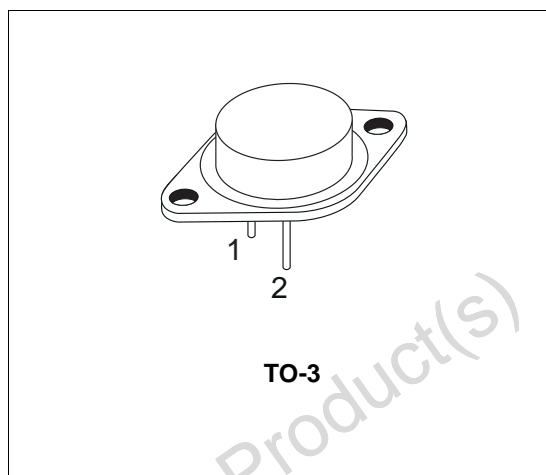


HIGH CURRENT NPN SILICON TRANSISTOR

- STMicroelectronics PREFERRED SALESTYPE
- NPN TRANSISTOR

DESCRIPTION

The BUR51 is a silicon Multiepitaxial Planar NPN transistor in modified Jedec TO-3 metal case, intended for use in switching and linear applications in military and industrial equipment.



ABSOLUTE MAXIMUM RATINGS

Symbol	Parameter	Value	Unit
V_{CB0}	Collector-Base Voltage ($I_E = 0$)	300	V
V_{CE0}	Collector-Emitter Voltage ($I_B = 0$)	200	V
V_{EB0}	Emitter-Base Voltage ($I_C = 0$)	10	V
I_C	Collector Current	60	A
I_{CM}	Collector Peak Current ($t_p = 10$ ms)	80	A
I_B	Base Current	16	A
P_{tot}	Total Dissipation at $T_c \leq 25$ °C	350	W
T_{stg}	Storage Temperature	-65 to 200	°C
T_j	Max. Operating Junction Temperature	200	°C

BUR51

THERMAL DATA

$R_{thj-case}$	Thermal Resistance Junction-case	Max	0.5	°C/W
----------------	----------------------------------	-----	-----	------

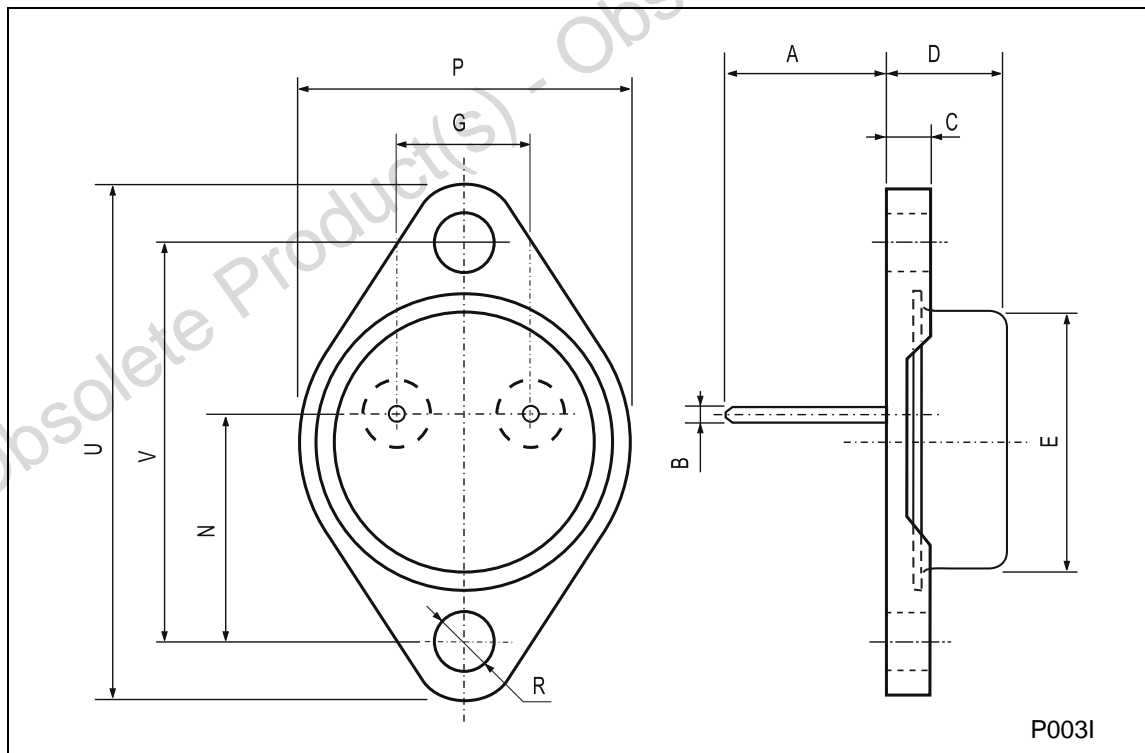
ELECTRICAL CHARACTERISTICS ($T_{case} = 25\text{ °C}$ unless otherwise specified)

Symbol	Parameter	Test Conditions	Min.	Typ.	Max.	Unit
I_{CBO}	Collector Cut-off Current ($I_E = 0$)	$V_{CB} = 300\text{ V}$ $V_{CB} = 300\text{ V}$ $T_C = 125\text{ °C}$			0.2 2	mA mA
I_{CEO}	Collector Cut-off Current ($I_B = 0$)	$V_{CE} = 200\text{ V}$			1	mA
I_{EBO}	Emitter Cut-off Current ($I_C = 0$)	$V_{EB} = 7\text{ V}$			0.2	μA
$V_{CEO(sus)*}$	Collector-Emitter Sustaining Voltage ($I_B = 0$)	$I_C = 200\text{ mA}$	200			V
V_{EBO}	Emitter-base Voltage ($I_C = 0$)	$I_E = 10\text{ mA}$	10			V
$V_{CE(sat)*}$	Collector-emitter Saturation Voltage	$I_C = 30\text{ A}$ $I_B = 2\text{ A}$ $I_C = 50\text{ A}$ $I_B = 5\text{ A}$		0.9	1 1.5	V V
$V_{BE(sat)*}$	Base-emitter Saturation Voltage	$I_C = 30\text{ A}$ $I_B = 2\text{ A}$ $I_C = 50\text{ A}$ $I_B = 5\text{ A}$		1.55	1.8 2	V V
h_{FE*}	DC Current Gain	$I_C = 5\text{ A}$ $V_{CE} = 4\text{ V}$ $I_C = 50\text{ A}$ $V_{CE} = 4\text{ V}$	20 15		100	
$I_{s/b}$	Second Breakdown Collector Current	$V_{CE} = 20\text{ V}$ $t = 1\text{ s}$	17.5			A
f_T	Transition-Frequency	$I_C = 1\text{ A}$ $V_{CE} = 5\text{ V}$ $f = 1\text{ MHz}$	10	16		MHz
t_{on}	Turn-on Time	$I_C = 50\text{ A}$ $I_{B1} = 5\text{ A}$ $V_{CC} = 100\text{ V}$		0.35	1	μs
t_s t_f	Storage Time Fall Time	$I_C = 50\text{ A}$ $I_{B1} = 5\text{ A}$ $I_{B2} = -5\text{ A}$ $V_{CC} = 100\text{ V}$		0.9 0.24	2 0.6	μs μs
	Clamped $E_{s/b}$ Collector Current	$V_{clamp} = 200\text{ V}$ $L = 500\text{ μH}$	50			A

* Pulsed: Pulse duration = 300 μs, duty cycle 1.5 %

TO-3 (I) MECHANICAL DATA

DIM.	mm			inch		
	MIN.	TYP.	MAX.	MIN.	TYP.	MAX.
A	11	11.7	13.1	0.433	0.461	0.516
B	1.45	1.5	1.6	0.057	0.059	0.063
C	2.7		2.92	0.106		0.115
D	8.9		9.4	0.350		0.370
E	19		20	0.748		0.787
G	10.7	10.9	11.1	0.421	0.429	0.437
N	16.5	16.9	17.2	0.650	0.665	0.677
P	25		26	0.984		1.024
R	3.88		4.2	0.153		0.165
U	38.5		39.3	1.516		1.547
V	30	30.14	30.3	1.181	1.187	1.193



Obsolete Product(s) - Obsolete Product(s)

Information furnished is believed to be accurate and reliable. However, STMicroelectronics assumes no responsibility for the consequences of use of such information nor for any infringement of patents or other rights of third parties which may result from its use. No license is granted by implication or otherwise under any patent or patent rights of STMicroelectronics. Specification mentioned in this publication are subject to change without notice. This publication supersedes and replaces all information previously supplied. STMicroelectronics products are not authorized for use as critical components in life support devices or systems without express written approval of STMicroelectronics.

The ST logo is a trademark of STMicroelectronics

© 2003 STMicroelectronics – Printed in Italy – All Rights Reserved
STMicroelectronics GROUP OF COMPANIES

Australia - Brazil - Canada - China - Finland - France - Germany - Hong Kong - India - Israel - Italy - Japan - Malaysia - Malta - Morocco - Singapore - Spain - Sweden - Switzerland - United Kingdom - United States.

<http://www.st.com>