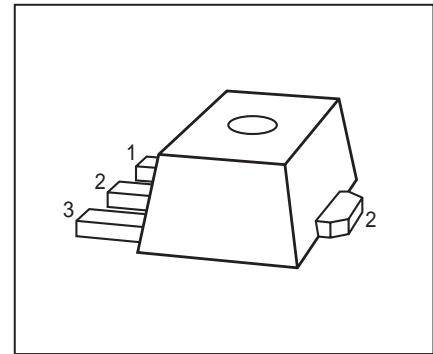


**PNP Silicon Darlington Transistors**

- For general AF applications
- High collector current
- High current gain
- Complementary types: BCV29, BCV49 (NPN)
- Pb-free (RoHS compliant) package<sup>1)</sup>
- Qualified according AEC Q101



Type	Marking	Pin Configuration			Package
BCV28	ED	1=B	2=C	3=E	SOT89
BCV48	EE	1=B	2=C	3=E	SOT89

**Maximum Ratings**

Parameter	Symbol	Value	Unit
Collector-emitter voltage	$V_{CEO}$		V
BCV28		30	
BCV48		60	
Collector-base voltage	$V_{CBO}$		
BCV28		40	
BCV48		80	
Emitter-base voltage	$V_{EBO}$	10	
Collector current	$I_C$	500	mA
Peak collector current	$I_{CM}$	800	
Base current	$I_B$	100	
Peak base current	$I_{BM}$	200	
Total power dissipation- $T_S \leq 130\text{ °C}$	$P_{tot}$	1	W
Junction temperature	$T_j$	150	°C
Storage temperature	$T_{stg}$	-65 ... 150	

<sup>1)</sup>Pb-containing package may be available upon special request

**Thermal Resistance**

<b>Parameter</b>	<b>Symbol</b>	<b>Value</b>	<b>Unit</b>
Junction - soldering point <sup>1)</sup>	$R_{thJS}$	$\leq 20$	K/W

<sup>1)</sup>For calculation of  $R_{thJA}$  please refer to Application Note Thermal Resistance

**Electrical Characteristics** at  $T_A = 25^\circ\text{C}$ , unless otherwise specified

Parameter	Symbol	Values			Unit
		min.	typ.	max.	
<b>DC Characteristics</b>					
Collector-emitter breakdown voltage $I_C = 10\text{ mA}$ , $I_B = 0$ , BCV28 $I_C = 10\text{ mA}$ , $I_B = 0$ , BCV48	$V_{(BR)CEO}$	30 60	- -	- -	V
Collector-base breakdown voltage $I_C = 100\text{ }\mu\text{A}$ , $I_E = 0$ , BCV28 $I_C = 100\text{ }\mu\text{A}$ , $I_E = 0$ , BCV48	$V_{(BR)CBO}$	40 80	- -	- -	
Emitter-base breakdown voltage $I_E = 10\text{ }\mu\text{A}$ , $I_C = 0$	$V_{(BR)EBO}$	10	-	-	
Collector-base cutoff current $V_{CB} = 30\text{ V}$ , $I_E = 0$ , BCV28 $V_{CB} = 60\text{ V}$ , $I_E = 0$ , BCV48 $V_{CB} = 30\text{ V}$ , $I_E = 0$ , $T_A \leq 150^\circ\text{C}$ , BCV28 $V_{CB} = 60\text{ V}$ , $I_E = 0$ , $T_A \leq 150^\circ\text{C}$ , BCV48	$I_{CBO}$	- - - -	- - - -	0.1 0.1 10 10	$\mu\text{A}$
Emitter-base cutoff current $V_{EB} = 4\text{ V}$ , $I_C = 0$	$I_{EBO}$	-	-	100	nA
DC current gain <sup>1)</sup> $I_C = 10\text{ }\mu\text{A}$ , $V_{CE} = 1\text{ V}$ , BCV28 $I_C = 10\text{ }\mu\text{A}$ , $V_{CE} = 1\text{ V}$ , BCV48 $I_C = 10\text{ mA}$ , $V_{CE} = 5\text{ V}$ , BCV28 $I_C = 10\text{ mA}$ , $V_{CE} = 5\text{ V}$ , BCV48 $I_C = 100\text{ mA}$ , $V_{CE} = 5\text{ V}$ , BCV28 $I_C = 100\text{ mA}$ , $V_{CE} = 5\text{ V}$ , BCV48 $I_C = 0.5\text{ A}$ , $V_{CE} = 5\text{ V}$ , BCV28 $I_C = 0.5\text{ A}$ , $V_{CE} = 5\text{ V}$ , BCV48	$h_{FE}$	4000 2000 10000 4000 20000 10000 4000 2000	- - - - - - - -	- - - - - - - -	-
Collector-emitter saturation voltage <sup>1)</sup> $I_C = 100\text{ mA}$ , $I_B = 0.1\text{ mA}$	$V_{CEsat}$	-	-	1	V
Base emitter saturation voltage <sup>1)</sup> $I_C = 100\text{ mA}$ , $I_B = 0.1\text{ mA}$	$V_{BEsat}$	-	-	1.5	

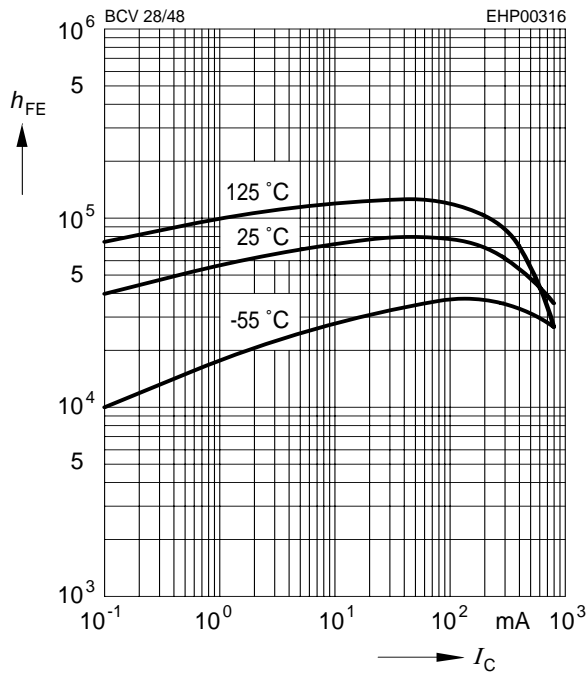
<sup>1)</sup>Pulse test:  $t < 300\mu\text{s}$ ;  $D < 2\%$

**Electrical Characteristics** at  $T_A = 25^\circ\text{C}$ , unless otherwise specified

Parameter	Symbol	Values			Unit
		min.	typ.	max.	
<b>AC Characteristics</b>					
Transition frequency $I_C = 50\text{ mA}$ , $V_{CE} = 5\text{ V}$ , $f = 100\text{ MHz}$	$f_T$	-	200	-	MHz
Collector-base capacitance $V_{CB} = 10\text{ V}$ , $f = 1\text{ MHz}$	$C_{cb}$	-	4.5	-	pF

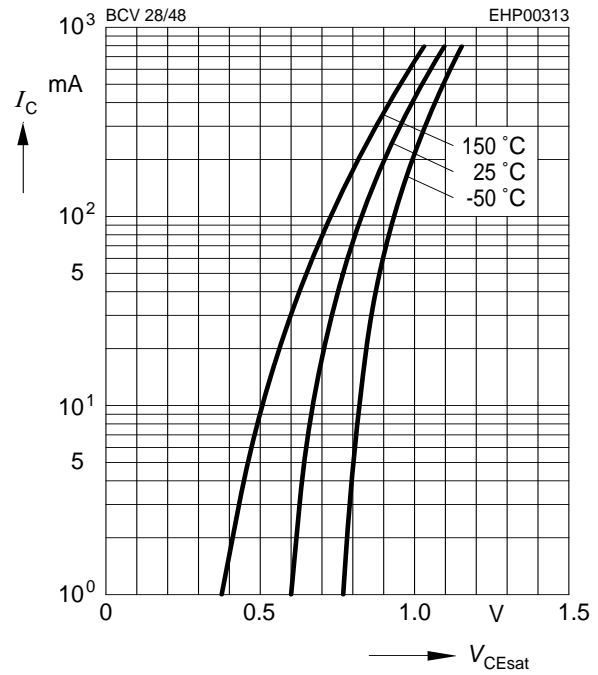
**DC current gain  $h_{FE} = f(I_C)$**

$V_{CE} = 5\text{ V}$



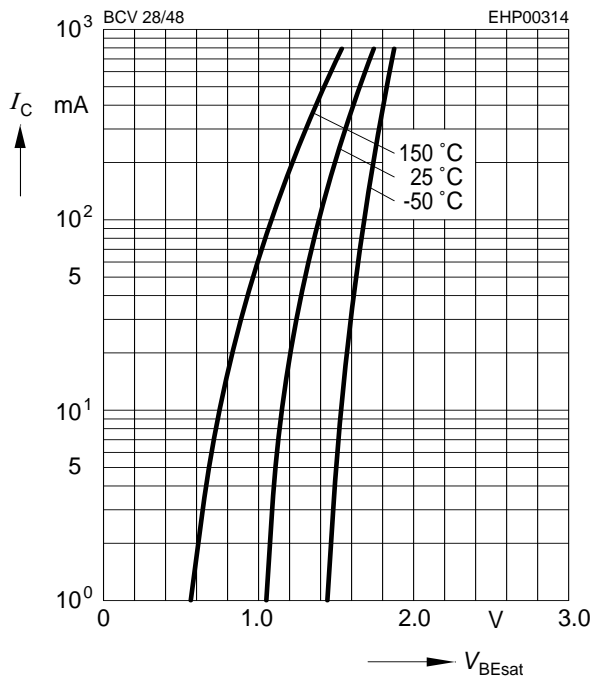
**Collector-emitter saturation voltage**

$I_C = f(V_{CEsat}), h_{FE} = 1000$



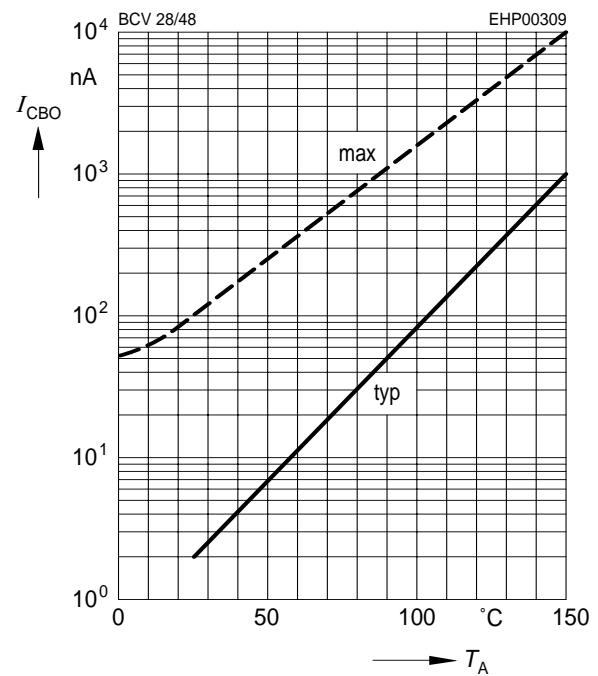
**Base-emitter saturation voltage**

$I_C = f(V_{BEsat}), h_{FE} = 1000$



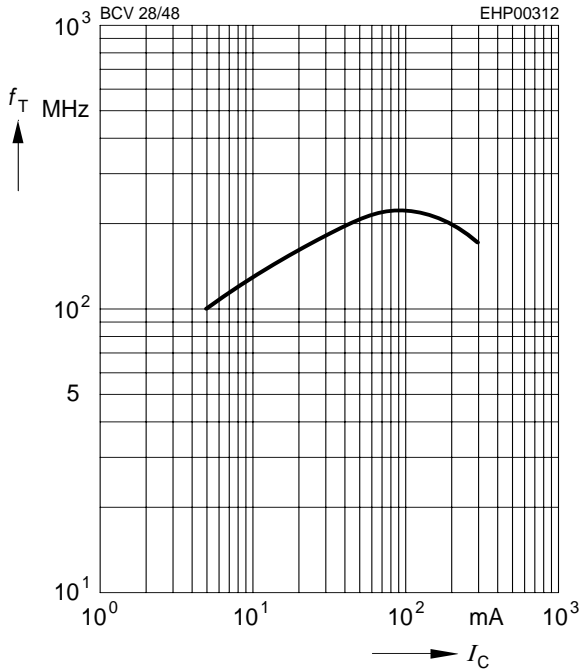
**Collector cutoff current  $I_{CBO} = f(T_A)$**

$V_{CB} = V_{CEmax}$



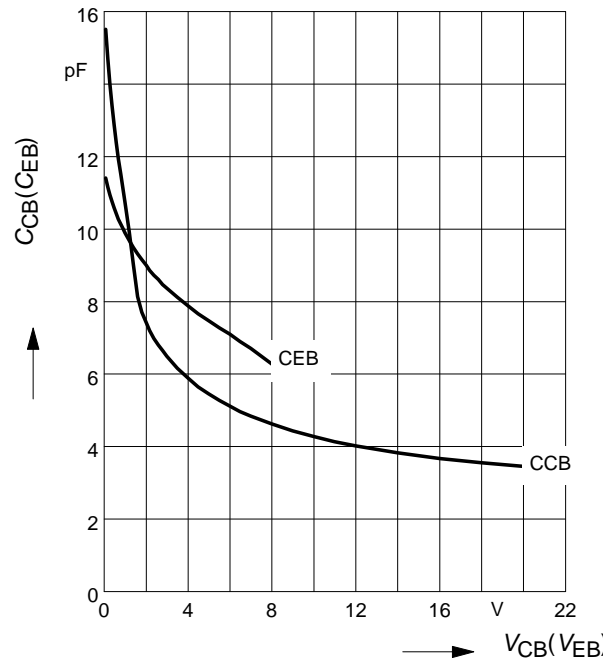
**Transition frequency  $f_T = f(I_C)$**

$V_{CE} = 5\text{ V}$

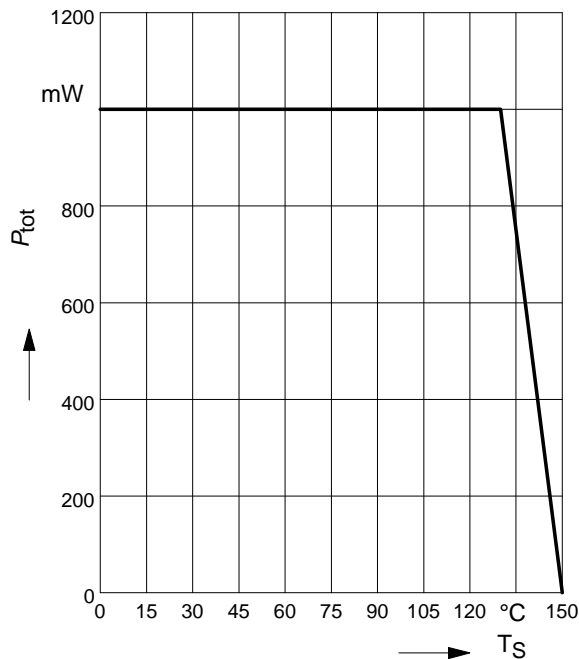


**Collector-base capacitance  $C_{cb} = f(V_{CB})$**

**Emitter-base capacitance  $C_{eb} = f(V_{EB})$**

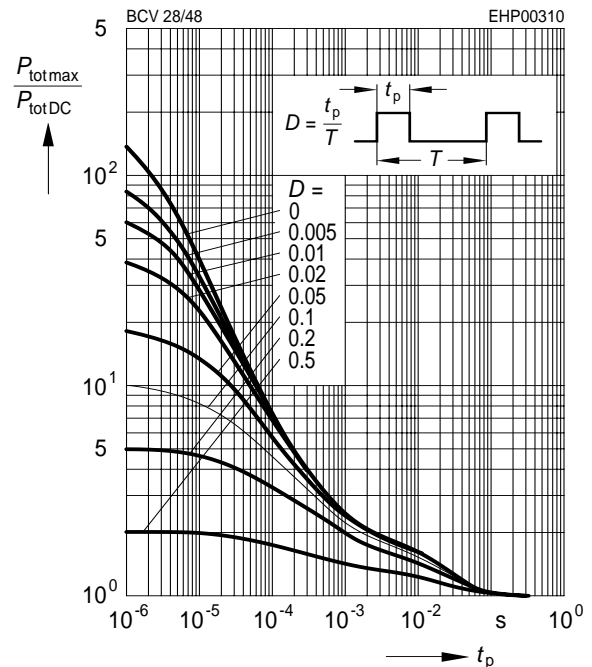


**Total power dissipation  $P_{tot} = f(T_S)$**

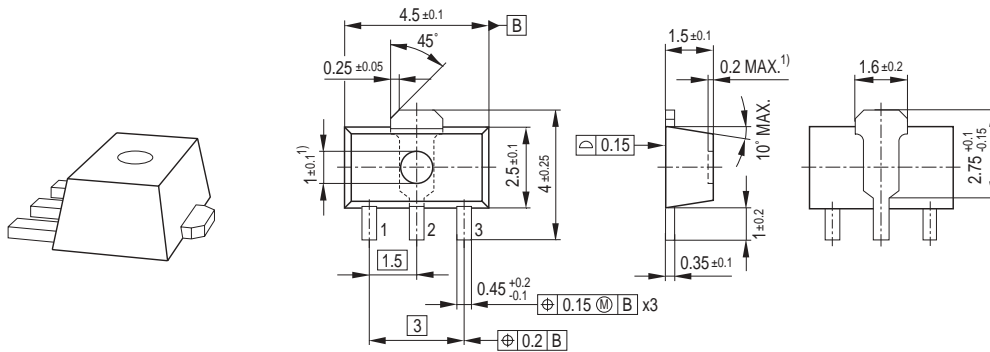


**Permissible Pulse Load**

$P_{totmax}/P_{totDC} = f(t_p)$

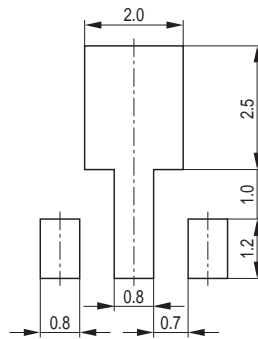


Package Outline

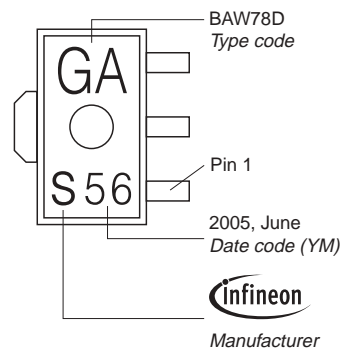


1) Ejector pin markings possible

Foot Print

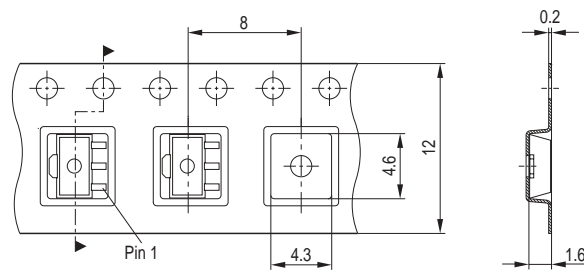


Marking Layout (Example)



Standard Packing

Reel ø180 mm = 1.000 Pieces/Reel  
 Reel ø330 mm = 4.000 Pieces/Reel



Edition 2006-02-01  
Published by  
Infineon Technologies AG  
81726 München, Germany  
© Infineon Technologies AG 2007.  
All Rights Reserved.

### **Attention please!**

The information given in this document shall in no event be regarded as a guarantee of conditions or characteristics ("Beschaffenheitsgarantie"). With respect to any examples or hints given herein, any typical values stated herein and/or any information regarding the application of the device, Infineon Technologies hereby disclaims any and all warranties and liabilities of any kind, including without limitation warranties of non-infringement of intellectual property rights of any third party.

### **Information**

For further information on technology, delivery terms and conditions and prices please contact your nearest Infineon Technologies Office ([www.infineon.com](http://www.infineon.com)).

### **Warnings**

Due to technical requirements components may contain dangerous substances. For information on the types in question please contact your nearest Infineon Technologies Office.

Infineon Technologies Components may only be used in life-support devices or systems with the express written approval of Infineon Technologies, if a failure of such components can reasonably be expected to cause the failure of that life-support device or system, or to affect the safety or effectiveness of that device or system.

Life support devices or systems are intended to be implanted in the human body, or to support and/or maintain and sustain and/or protect human life. If they fail, it is reasonable to assume that the health of the user or other persons may be endangered.