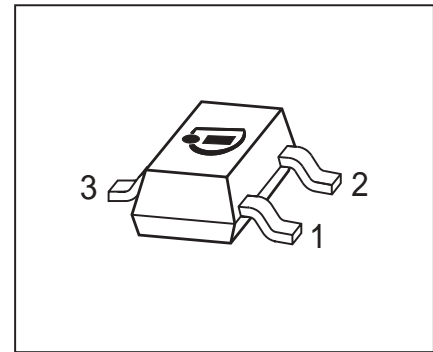


NPN Silicon AF Transistors

- For general AF applications
- High current gain
- Low collector-emitter saturation voltage
- Complementary type: BCW68 (PNP)
- Pb-free (RoHS compliant) package¹⁾
- Qualified according AEC Q101



Type	Marking	Pin Configuration			Package
BCW66F	EFs	1=B	2=E	3=C	SOT23
BCW66KF*	EFs	1=B	2=E	3=C	SOT23
BCW66G	EGs	1=B	2=E	3=C	SOT23
BCW66KG*	EGs	1=B	2=E	3=C	SOT23
BCW66H	EHs	1=B	2=E	3=C	SOT23
BCW66KH*	EHs	1=B	2=E	3=C	SOT23

* Shrinked chip version

Maximum Ratings

Parameter	Symbol	Value	Unit
Collector-emitter voltage	V_{CEO}	45	V
Collector-base voltage	V_{CBO}	75	
Emitter-base voltage	V_{EBO}	5	
Collector current	I_C	800	mA
Peak collector current	I_{CM}	1	A
Base current	I_B	100	mA
Peak base current	I_{BM}	200	
Total power dissipation- $T_S \leq 79\text{ °C}$, BCW66 $T_S \leq 115\text{ °C}$, BCW66K	P_{tot}	330 500	mW
Junction temperature	T_j	150	
Storage temperature	T_{stg}	-65 ... 150	

¹Pb-containing package may be available upon special request

Thermal Resistance

Parameter	Symbol	Value	Unit
Junction - soldering point ¹⁾	R_{thJS}		K/W
BCW66		≤ 215	
BCW66K		≤ 70	

Electrical Characteristics at $T_A = 25^\circ\text{C}$, unless otherwise specified

Parameter	Symbol	Values			Unit
		min.	typ.	max.	

DC Characteristics

Collector-emitter breakdown voltage $I_C = 10\text{ mA}, I_B = 0$	$V_{(BR)CEO}$	45	-	-	V
Collector-base breakdown voltage $I_C = 10\text{ }\mu\text{A}, I_E = 0$	$V_{(BR)CBO}$	75	-	-	
Emitter-base breakdown voltage $I_E = 10\text{ }\mu\text{A}, I_C = 0$	$V_{(BR)EBO}$	5	-	-	
Collector-base cutoff current $V_{CB} = 45\text{ V}, I_E = 0$ $V_{CB} = 45\text{ V}, I_E = 0, T_A = 150\text{ }^\circ\text{C}$	I_{CBO}	-	-	0.02 20	μA
Emitter-base cutoff current $V_{EB} = 5\text{ V}, I_C = 0$	I_{EBO}	-	-	20	nA
DC current gain ²⁾ $I_C = 100\text{ }\mu\text{A} - 10\text{ mA}, V_{CE} = 1\text{ V}, \text{hFE-grp.F}$ $I_C = 100\text{ }\mu\text{A} - 10\text{ mA}, V_{CE} = 1\text{ V}, \text{hFE-grp.G}$ $I_C = 100\text{ }\mu\text{A} - 10\text{ mA}, V_{CE} = 1\text{ V}, \text{hFE-grp.H}$ $I_C = 100\text{ mA}, V_{CE} = 1\text{ V}, \text{hFE-grp.F}$ $I_C = 100\text{ mA}, V_{CE} = 1\text{ V}, \text{hFE-grp.G}$ $I_C = 100\text{ mA}, V_{CE} = 1\text{ V}, \text{hFE-grp.H}$ $I_C = 500\text{ mA}, V_{CE} = 1\text{ V}, \text{hFE-grp.F, G, H}$	h_{FE}	75 110 180 100 160 250 40	- - - 160 250 350 -	- - - 250 400 630 -	-
Collector-emitter saturation voltage ²⁾ $I_C = 100\text{ mA}, I_B = 10\text{ mA}$ $I_C = 500\text{ mA}, I_B = 50\text{ mA}$	V_{CEsat}	- -	- -	0.3 0.45	V
Base emitter saturation voltage ²⁾ $I_C = 100\text{ mA}, I_B = 10\text{ mA}$ $I_C = 500\text{ mA}, I_B = 50\text{ mA}$	V_{BEsat}	- -	- -	1.25 1.25	

¹⁾For calculation of R_{thJA} please refer to Application Note Thermal Resistance

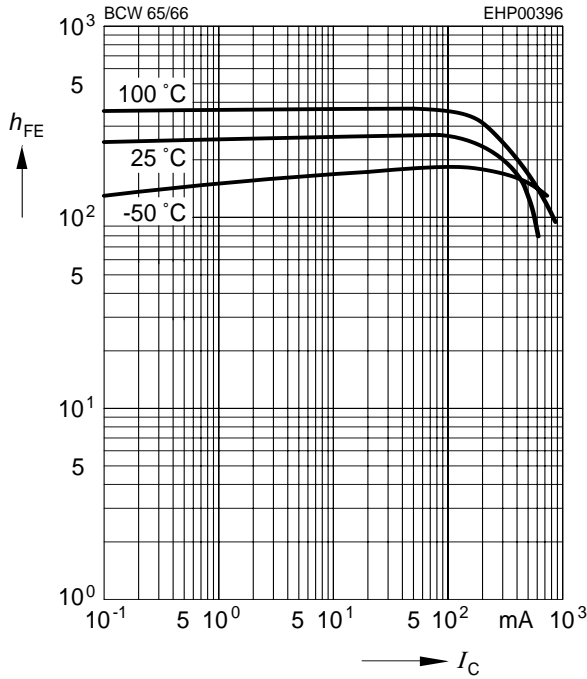
²⁾Pulse test: $t < 300\mu\text{s}; D < 2\%$

Electrical Characteristics at $T_A = 25^\circ\text{C}$, unless otherwise specified

Parameter	Symbol	Values			Unit
		min.	typ.	max.	
AC Characteristics					
Transition frequency $I_C = 50\text{ mA}$, $V_{CE} = 5\text{ V}$, $f = 20\text{ MHz}$	f_T	-	170	-	MHz
Collector-base capacitance $V_{CB} = 10\text{ V}$, $f = 1\text{ MHz}$, BCW66	C_{cb}	-	6	-	pF
$V_{CB} = 10\text{ V}$, $f = 1\text{ MHz}$, BCW66K		-	3	-	
Emitter-base capacitance $V_{EB} = 0.5\text{ V}$, $f = 1\text{ MHz}$, BCW66	C_{eb}	-	60	-	
$V_{EB} = 0.5\text{ V}$, $f = 1\text{ MHz}$, BCW66K		-	40	-	

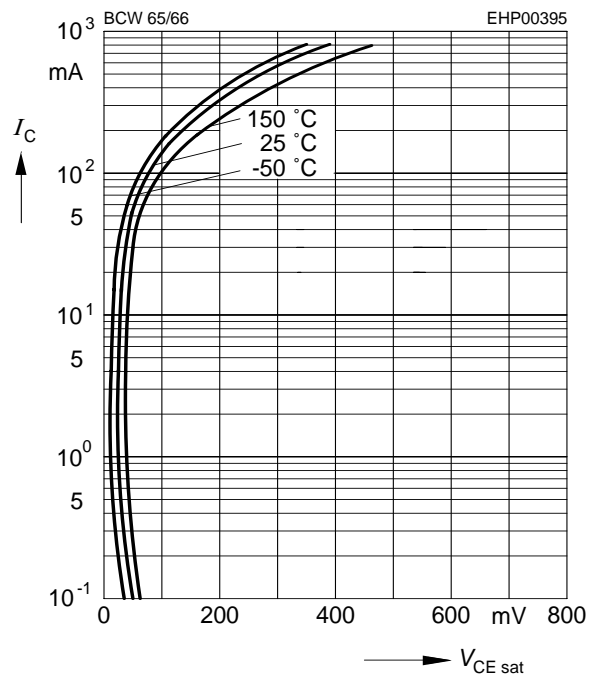
DC current gain $h_{FE} = f(I_C)$

$V_{CE} = 1\text{ V}$



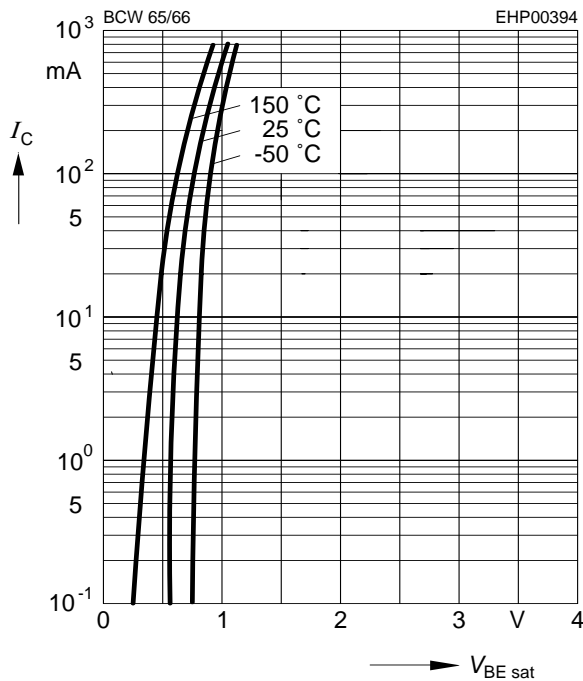
Collector-emitter saturation voltage

$I_C = f(V_{CEsat}), h_{FE} = 10$



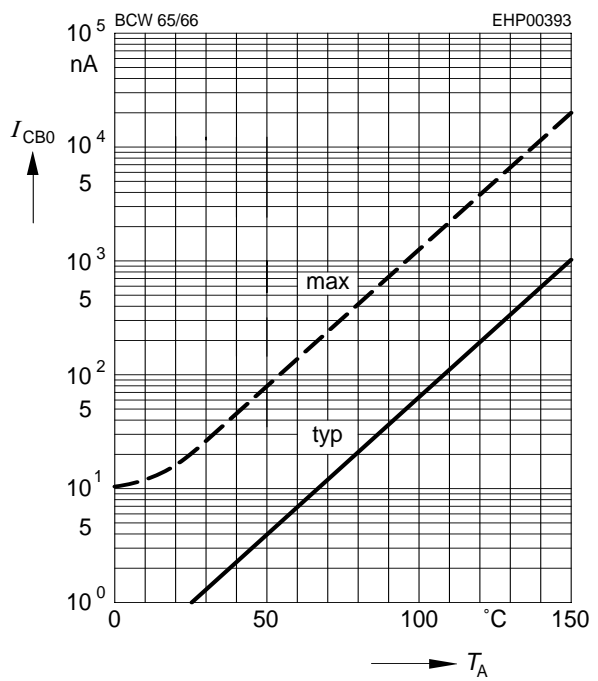
Base-emitter saturation voltage

$I_C = f(V_{BEsat}), h_{FE} = 10$



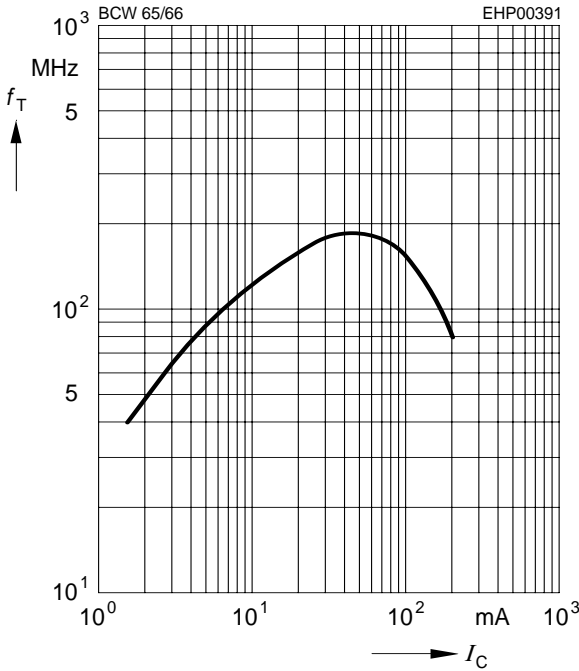
Collector cutoff current $I_{CBO} = f(T_A)$

$V_{CB} = V_{CEmax}$



Transition frequency $f_T = f(I_C)$

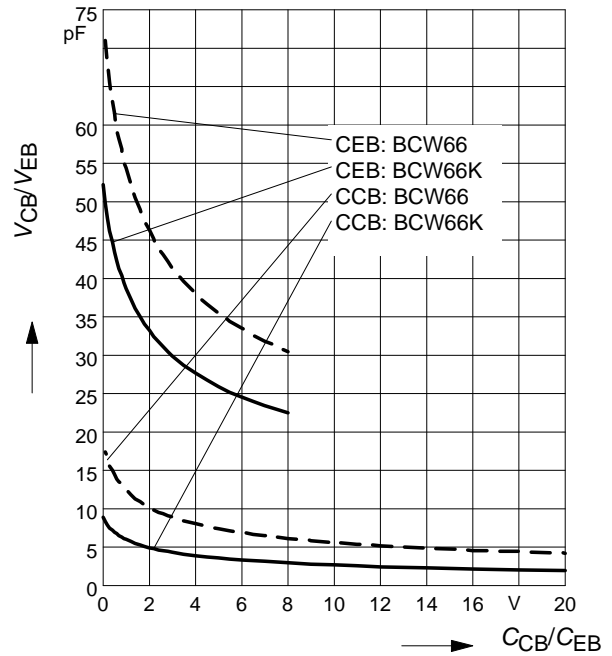
$V_{CE} = 5\text{ V}$



Collector-base capacitance $C_{cb} = f(V_{CB})$

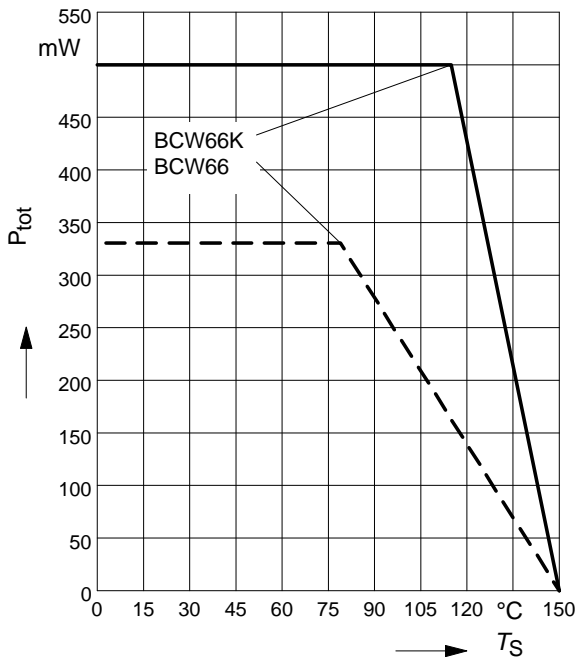
Emitter-base capacitance $C_{eb} = f(V_{EB})$

BCW66: - - - , BCW66K: —



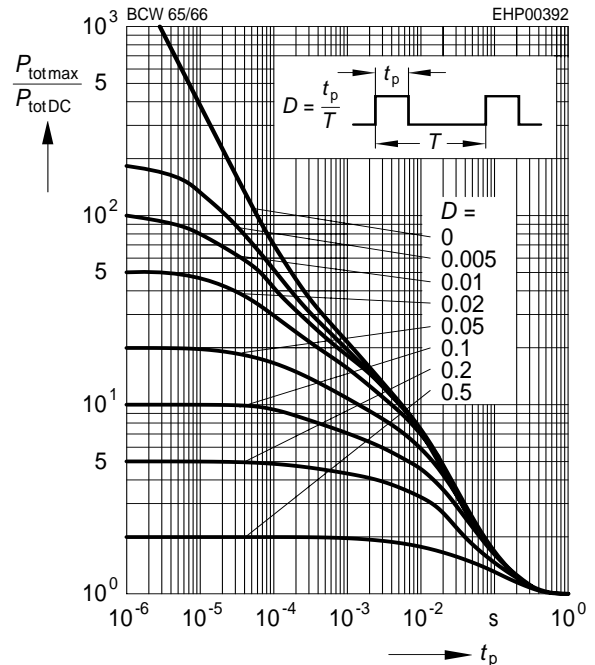
Total power dissipation $P_{tot} = f(T_S)$

BCW66: - - - , BCW66K: —

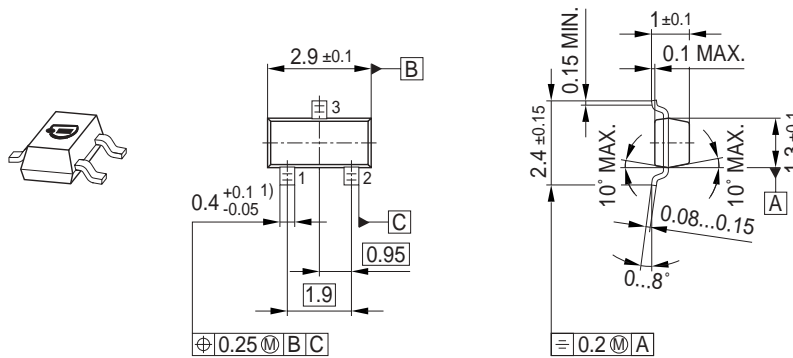


Permissible Pulse Load

$P_{totmax}/P_{totDC} = f(t_p)$

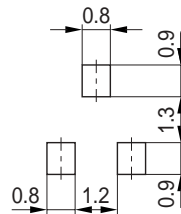


Package Outline

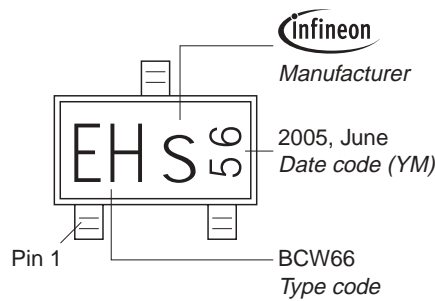


1) Lead width can be 0.6 max. in dambar area

Foot Print

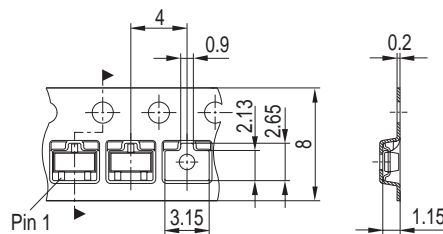


Marking Layout (Example)



Standard Packing

Reel ø180 mm = 3.000 Pieces/Reel
 Reel ø330 mm = 10.000 Pieces/Reel



Edition 2006-02-01

Published by

Infineon Technologies AG

81726 München, Germany

© Infineon Technologies AG 2007.

All Rights Reserved.

Attention please!

The information given in this dokument shall in no event be regarded as a guarantee of conditions or characteristics ("Beschaffenhheitsgarantie"). With respect to any examples or hints given herein, any typical values stated herein and/or any information regarding the application of the device, Infineon Technologies hereby disclaims any and all warranties and liabilities of any kind, including without limitation warranties of non-infringement of intellectual property rights of any third party.

Information

For further information on technology, delivery terms and conditions and prices please contact your nearest Infineon Technologies Office (www.infineon.com).

Warnings

Due to technical requirements components may contain dangerous substances. For information on the types in question please contact your nearest Infineon Technologies Office.

Infineon Technologies Components may only be used in life-support devices or systems with the express written approval of Infineon Technologies, if a failure of such components can reasonably be expected to cause the failure of that life-support device or system, or to affect the safety or effectiveness of that device or system.

Life support devices or systems are intended to be implanted in the human body, or to support and/or maintain and sustain and/or protect human life. If they fail, it is reasonable to assume that the health of the user or other persons may be endangered.