

## LM194/LM394 Supermatch Pair

### General Description

The LM194 and LM394 are junction isolated ultra well-matched monolithic NPN transistor pairs with an order of magnitude improvement in matching over conventional transistor pairs. This was accomplished by advanced linear processing and a unique new device structure.

Electrical characteristics of these devices such as drift versus initial offset voltage, noise, and the exponential relationship of base-emitter voltage to collector current closely approach those of a theoretical transistor. Extrinsic emitter and base resistances are much lower than presently available pairs, either monolithic or discrete, giving extremely low noise and theoretical operation over a wide current range. Most parameters are guaranteed over a current range of 1  $\mu\text{A}$  to 1 mA and 0V up to 40V collector-base voltage, ensuring superior performance in nearly all applications.

To guarantee long term stability of matching parameters, internal clamp diodes have been added across the emitter-base junction of each transistor. These prevent degradation due to reverse biased emitter current—the most common cause of field failures in matched devices. The parasitic isolation junction formed by the diodes also clamps the substrate region to the most negative emitter to ensure complete isolation between devices.

The LM194 and LM394 will provide a considerable improvement in performance in most applications requiring a closely

matched transistor pair. In many cases, trimming can be eliminated entirely, improving reliability and decreasing costs. Additionally, the low noise and high gain make this device attractive even where matching is not critical.

The LM194 and LM394/LM394B/LM394C are available in an isolated header 6-lead TO-5 metal can package. The LM394/LM394B/LM394C are available in an 8-pin plastic dual-in-line package. The LM194 is identical to the LM394 except for tighter electrical specifications and wider temperature range.

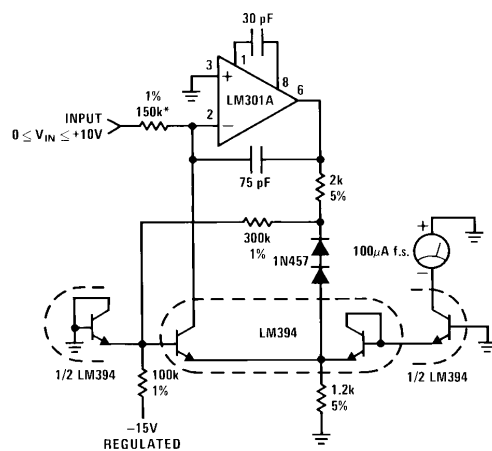
### Features

- Emitter-base voltage matched to 50  $\mu\text{V}$
- Offset voltage drift less than 0.1  $\mu\text{V}/^\circ\text{C}$
- Current gain ( $h_{FE}$ ) matched to 2%
- Common-mode rejection ratio greater than 120 dB
- Parameters guaranteed over 1  $\mu\text{A}$  to 1 mA collector current
- Extremely low noise
- Superior logging characteristics compared to conventional pairs
- Plug-in replacement for presently available devices

### Typical Applications

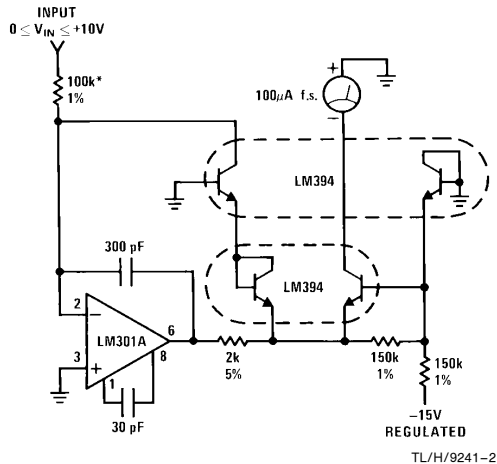
Low Cost Accurate Square Root Circuit

$$I_{OUT} = 10^{-5} \cdot \sqrt{10 V_{IN}}$$



Low Cost Accurate Squaring Circuit

$$I_{OUT} = 10^{-6} (V_{IN})^2$$



TL/H/9241-1  
\*Trim for full scale accuracy

## Absolute Maximum Ratings

If Military/Aerospace specified devices are required, please contact the National Semiconductor Sales Office/Distributors for availability and specifications. (Note 4)

Collector Current	20 mA
Collector-Emitter Voltage	$V_{MAX}$
Collector-Emitter Voltage LM394C	35V 20V
Collector-Base Voltage LM394C	35V 20V
Collector-Substrate Voltage LM394C	35V 20V
Collector-Collector Voltage LM394C	35V 20V

Base-Emitter Current	$\pm 10$ mA
Power Dissipation	500 mW
Junction Temperature	
LM194	$-55^{\circ}\text{C}$ to $+125^{\circ}\text{C}$
LM394/LM394B/LM394C	$-25^{\circ}\text{C}$ to $+85^{\circ}\text{C}$
Storage Temperature Range	$-65^{\circ}\text{C}$ to $+150^{\circ}\text{C}$

Soldering Information	
Metal Can Package (10 sec.)	260°C
Dual-In-Line Package (10 sec.)	260°C
Small Outline Package	
Vapor Phase (60 sec.)	215°C
Infrared (15 sec.)	220°C

See AN-450 "Surface Mounting and their Effects on Product Reliability" for other methods of soldering surface mount devices.

## Electrical Characteristics ( $T_J = 25^{\circ}\text{C}$ )

Parameter	Conditions	LM194			LM394			LM394B/394C			Units
		Min	Typ	Max	Min	Typ	Max	Min	Typ	Max	
Current Gain ( $h_{FE}$ )	$V_{CB} = 0\text{V}$ to $V_{MAX}$ (Note 1)										
	$I_C = 1\text{ mA}$	350	700		300	700		225	500		
	$I_C = 100\ \mu\text{A}$	350	550		250	550		200	400		
	$I_C = 10\ \mu\text{A}$	300	450		200	450		150	300		
	$I_C = 1\ \mu\text{A}$	200	300		150	300		100	200		
Current Gain Match, ( $h_{FE}$ Match) $= \frac{100 [\Delta I_B] [h_{FE(MIN)}]}{I_C}$	$V_{CB} = 0\text{V}$ to $V_{MAX}$		0.5	2		0.5	4		1.0	5	%
	$I_C = 10\ \mu\text{A}$ to $1\text{ mA}$		1.0			1.0			2.0		%
Emitter-Base Offset Voltage	$V_{CB} = 0$ $I_C = 1\ \mu\text{A}$ to $1\text{ mA}$		25	100		25	150		50	200	$\mu\text{V}$
Change in Emitter-Base Offset Voltage vs Collector-Base Voltage (CMRR)	(Note 1) $I_C = 1\ \mu\text{A}$ to $1\text{ mA}$ , $V_{CB} = 0\text{V}$ to $V_{MAX}$		10	25		10	50		10	100	$\mu\text{V}$
Change in Emitter-Base Offset Voltage vs Collector Current	$V_{CB} = 0\text{V}$ , $I_C = 1\ \mu\text{A}$ to $0.3\text{ mA}$		5	25		5	50		5	50	$\mu\text{V}$
Emitter-Base Offset Voltage Temperature Drift	$I_C = 10\ \mu\text{A}$ to $1\text{ mA}$ (Note 2) $I_{C1} = I_{C2}$ $V_{OS}$ Trimmed to 0 at $25^{\circ}\text{C}$		0.08	0.3		0.08	1.0		0.2	1.5	$\mu\text{V}/^{\circ}\text{C}$
			0.03	0.1		0.03	0.3		0.03	0.5	$\mu\text{V}/^{\circ}\text{C}$
Logging Conformity	$I_C = 3\text{ nA}$ to $300\ \mu\text{A}$ , $V_{CB} = 0$ , (Note 3)		150			150			150		$\mu\text{V}$
Collector-Base Leakage	$V_{CB} = V_{MAX}$		0.05	0.25		0.05	0.5		0.05	0.5	nA
Collector-Collector Leakage	$V_{CC} = V_{MAX}$		0.1	2.0		0.1	5.0		0.1	5.0	nA
Input Voltage Noise	$I_C = 100\ \mu\text{A}$ , $V_{CB} = 0\text{V}$ , $f = 100\text{ Hz}$ to $100\text{ kHz}$		1.8			1.8			1.8		$\text{nV}/\sqrt{\text{Hz}}$
Collector to Emitter Saturation Voltage	$I_C = 1\text{ mA}$ , $I_B = 10\ \mu\text{A}$ $I_C = 1\text{ mA}$ , $I_B = 100\ \mu\text{A}$		0.2			0.2			0.2		V
			0.1			0.1			0.1		V

**Note 1:** Collector-base voltage is swept from 0 to  $V_{MAX}$  at a collector current of  $1\ \mu\text{A}$ ,  $10\ \mu\text{A}$ ,  $100\ \mu\text{A}$ , and  $1\text{ mA}$ .

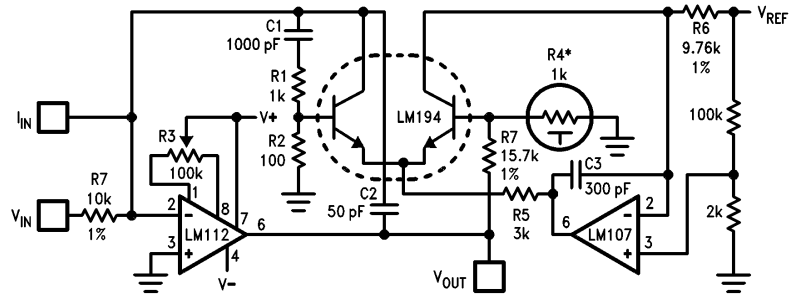
**Note 2:** Offset voltage drift with  $V_{OS} = 0$  at  $T_A = 25^{\circ}\text{C}$  is valid only when the ratio of  $I_{C1}$  to  $I_{C2}$  is adjusted to give the initial zero offset. This ratio must be held to within 0.003% over the entire temperature range. Measurements taken at  $+25^{\circ}\text{C}$  and temperature extremes.

**Note 3:** Logging conformity is measured by computing the best fit to a true exponential and expressing the error as a base-emitter voltage deviation.

**Note 4:** Refer to RETS194X drawing of military LM194H version for specifications.

## Typical Applications (Continued)

Fast, Accurate Logging Amplifier,  $V_{IN} = 10V$  to  $0.1\text{ mV}$  or  $I_{IN} = 1\text{ mA}$  to  $10\text{ nA}$

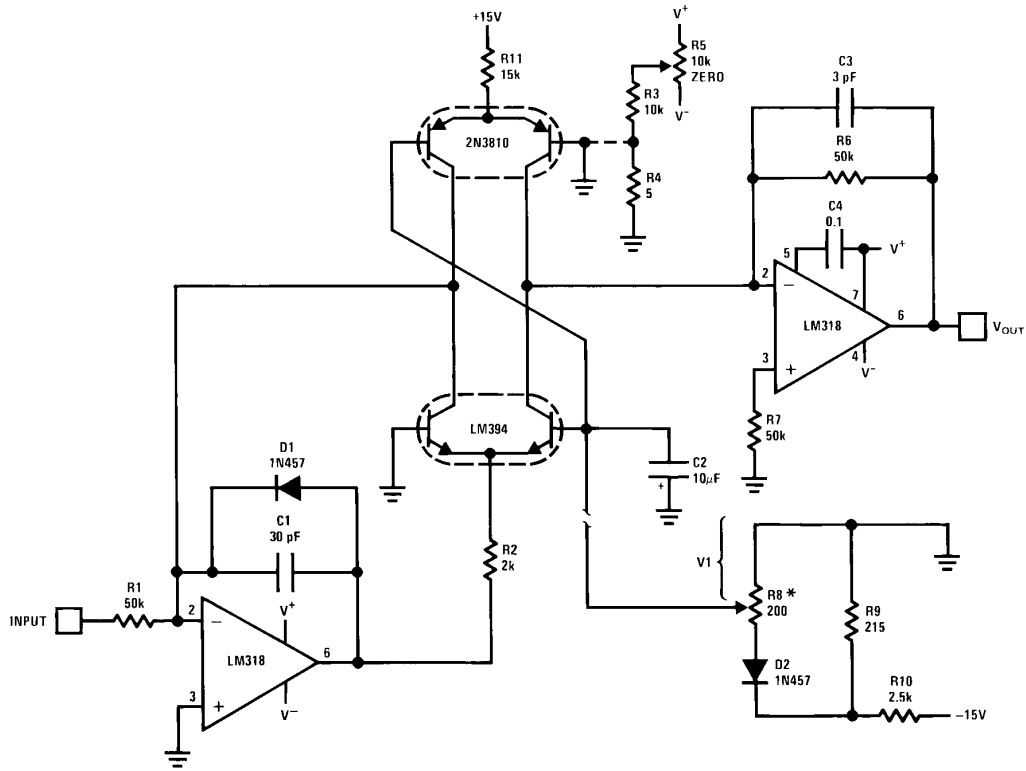


TL/H/9241-3

\*1 k $\Omega$  ( $\pm 1\%$ ) at 25°C, +3500 ppm/°C.  
Available from Vishay Ultronix,  
Grand Junction, CO, Q81 Series.

$$V_{OUT} = -\log_{10} \left( \frac{V_{IN}}{V_{REF}} \right)$$

## Voltage Controlled Variable Gain Amplifier



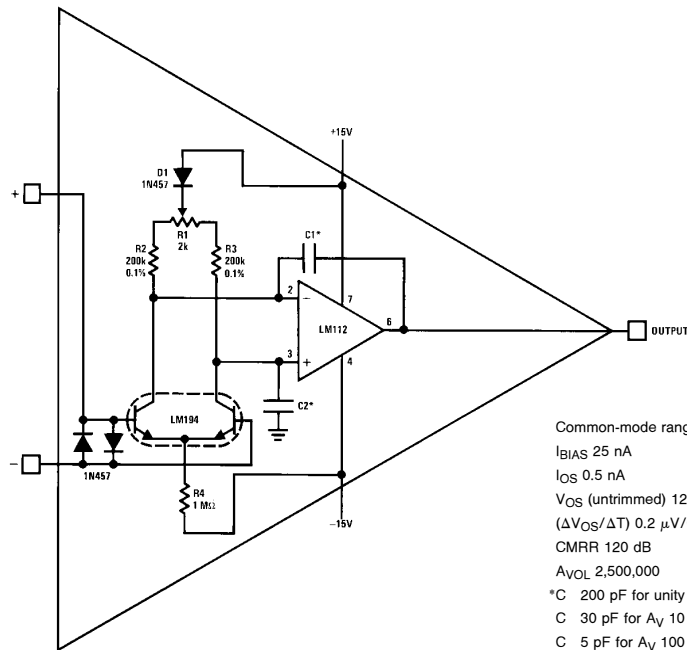
TL/H/9241-4

\*R8-R10 and D2 provide a temperature independent gain control.  
 $G = -336 V_1$  (dB)

Distortion < 0.1%  
Bandwidth > 1 MHz  
100 dB gain range

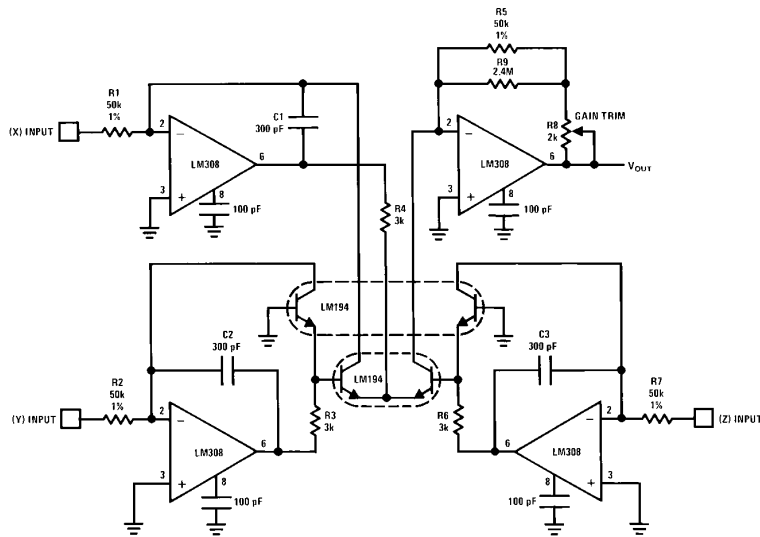
## Typical Applications (Continued)

### Precision Low Drift Operational Amplifier



Common-mode range 10V  
 $I_{BIAS}$  25 nA  
 $I_{OS}$  0.5 nA  
 $V_{OS}$  (untrimmed) 125  $\mu$ V  
 $(\Delta V_{OS}/\Delta T)$  0.2  $\mu$ V/C  
 CMRR 120 dB  
 $A_{VOL}$  2,500,000  
 $C$  200 pF for unity gain  
 $C$  30 pF for  $A_V$  10  
 $C$  5 pF for  $A_V$  100  
 $C$  0 pF for  $A_V$  1000 TL/H/9241-5

### High Accuracy One Quadrant Multiplier/Divider



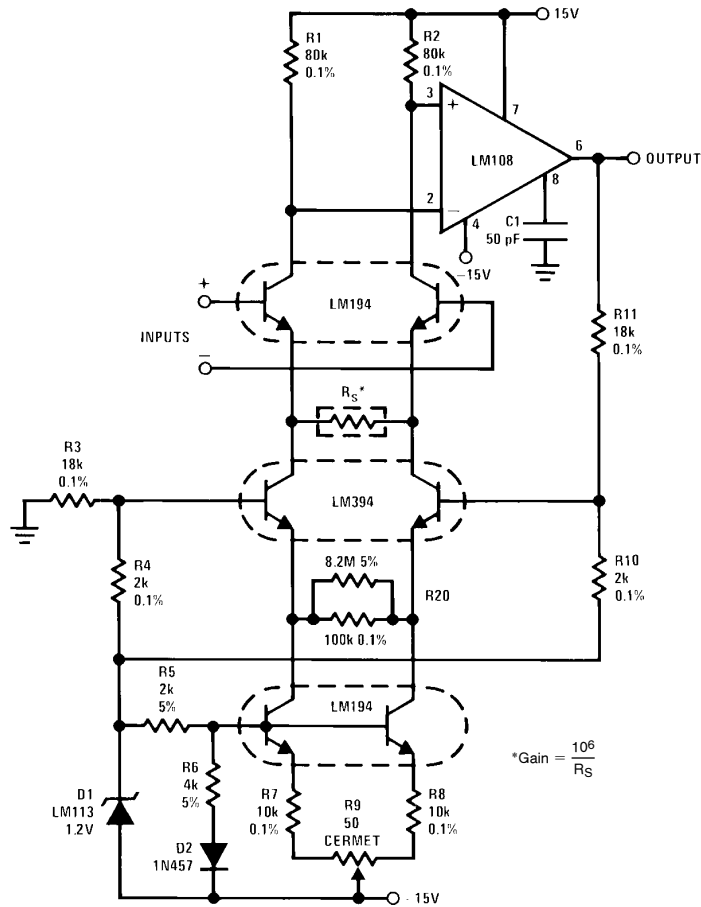
$$V_{OUT} = \frac{(X)(Y)}{(Z)}; \text{ positive inputs only.}$$

\*Typical linearity 0.1%

TL/H/9241-6

## Typical Applications (Continued)

### High Performance Instrumentation Amplifier



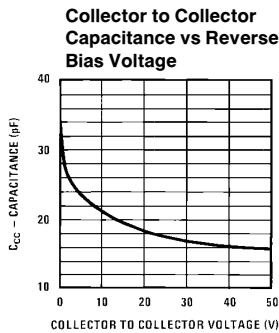
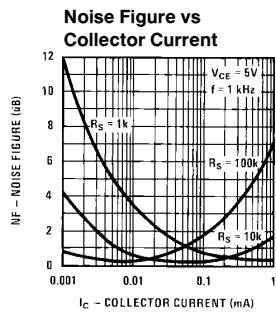
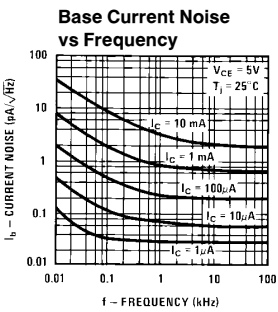
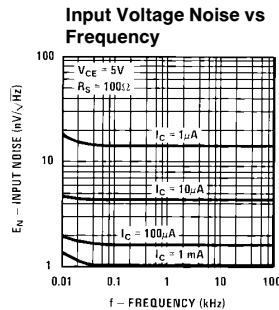
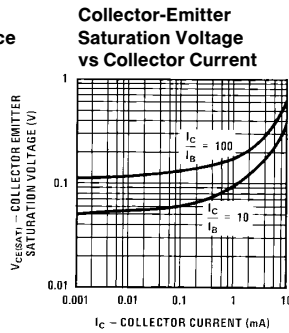
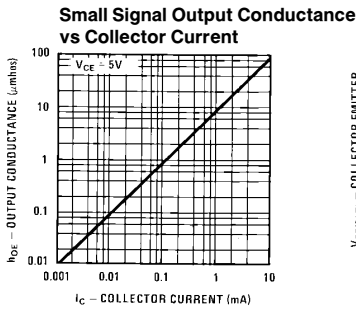
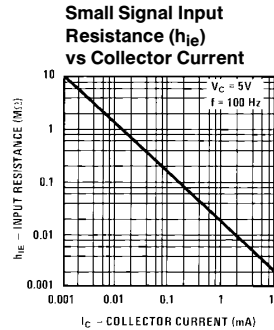
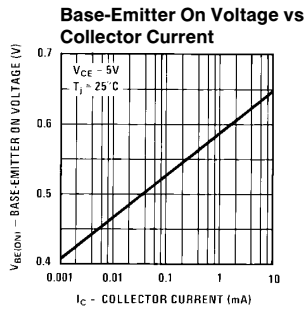
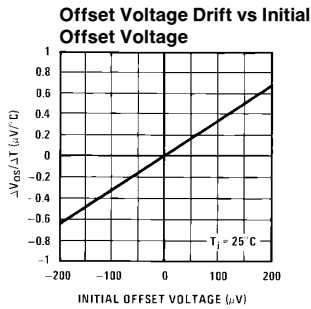
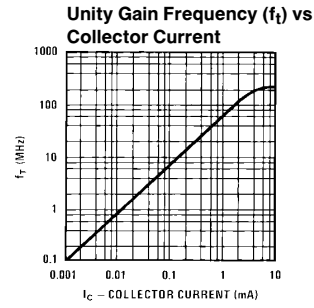
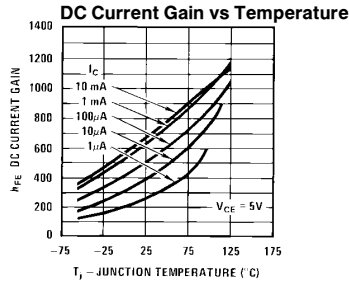
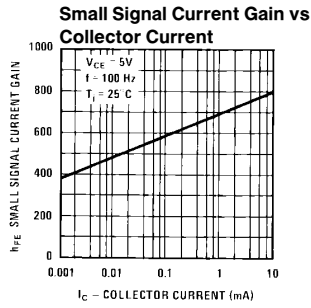
TL/H/9241-7

### Performance Characteristics

	G = 10,000	G = 1,000	G = 100	G = 10	
Linearity of Gain ( $\pm 10V$ Output)	$\leq 0.01$	$\leq 0.01$	$\leq 0.02$	$\leq 0.05$	%
Common-Mode Rejection Ratio (60 Hz)	$\geq 120$	$\geq 120$	$\geq 110$	$\geq 90$	dB
Common-Mode Rejection Ratio (1 kHz)	$\geq 110$	$\geq 110$	$\geq 90$	$\geq 70$	dB
Power Supply Rejection Ratio					
+ Supply	$> 110$	$> 110$	$> 110$	$> 110$	dB
- Supply	$> 110$	$> 110$	$> 90$	$> 70$	dB
Bandwidth ( $-3$ dB)	50	50	50	50	kHz
Slew Rate	0.3	0.3	0.3	0.3	V/ $\mu$ s
Offset Voltage Drift**	$\leq 0.25$	$\leq 0.4$	2	$\leq 10$	$\mu$ V/ $^{\circ}$ C
Common-Mode Input Resistance	$> 10^9$	$> 10^9$	$> 10^9$	$> 10^9$	$\Omega$
Differential Input Resistance	$> 3 \times 10^8$	$> 3 \times 10^8$	$> 3 \times 10^8$	$> 3 \times 10^8$	$\Omega$
Input Referred Noise (100 Hz $\leq f \leq 10$ kHz)	5	6	12	70	$\frac{nV}{\sqrt{Hz}}$
Input Bias Current	75	75	75	75	nA
Input Offset Current	1.5	1.5	1.5	1.5	nA
Common-Mode Range	$\pm 11$	$\pm 11$	$\pm 11$	$\pm 10$	V
Output Swing ( $R_L = 10$ k $\Omega$ )	$\pm 13$	$\pm 13$	$\pm 13$	$\pm 13$	V

\*\* Assumes  $\leq 5$  ppm/ $^{\circ}$ C tracking of resistors

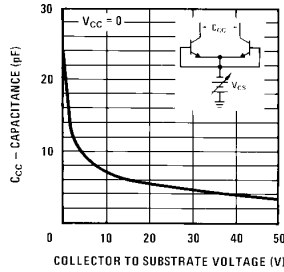
# Typical Performance Characteristics



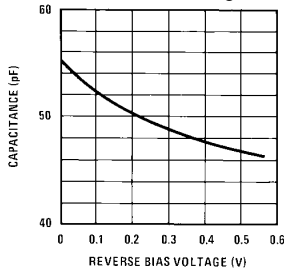
TL/H/9241-8

## Typical Performance Characteristics (Continued)

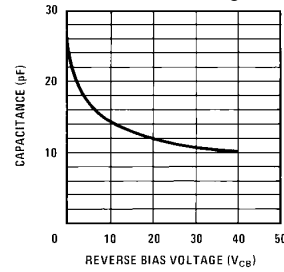
**Collector to Collector Capacitance vs Collector-Substrate Voltage**



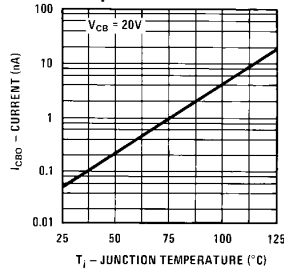
**Emitter-Base Capacitance vs Reverse Bias Voltage**



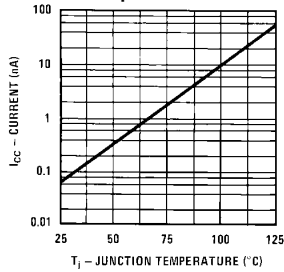
**Collector-Base Capacitance vs Reverse Bias Voltage**



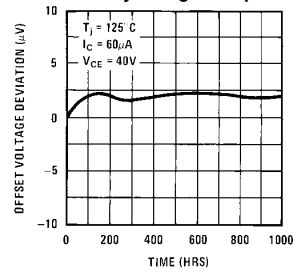
**Collector-Base Leakage vs Temperature**



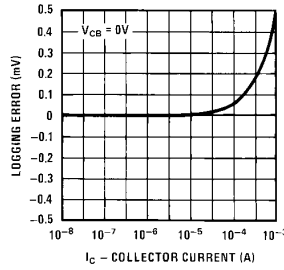
**Collector to Collector Leakage vs Temperature**



**Offset Voltage Long Term Stability at High Temperature**



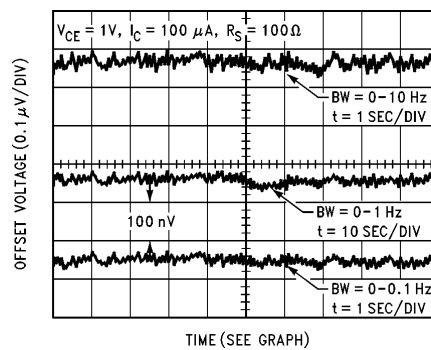
**Emitter-Base Log Conformity**



TL/H/9241-9

TL/H/9241-10

### Low Frequency Noise of Differential Pair\*

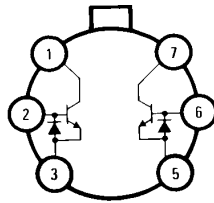


TL/H/9241-11

\*Unit must be in still air environment so that differential lead temperature is held to less than 0.0003°C.

## Connection Diagrams

**Metal Can Package**

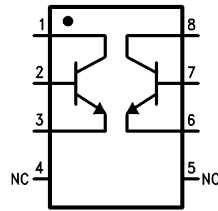


**Top View**

Order Number LM194H/883\*,  
LM394H, LM394BH or LM394CH  
See NS Package Number H06C

TL/H/9241-12

**Dual-In-Line and Small Outline Packages**



**Top View**

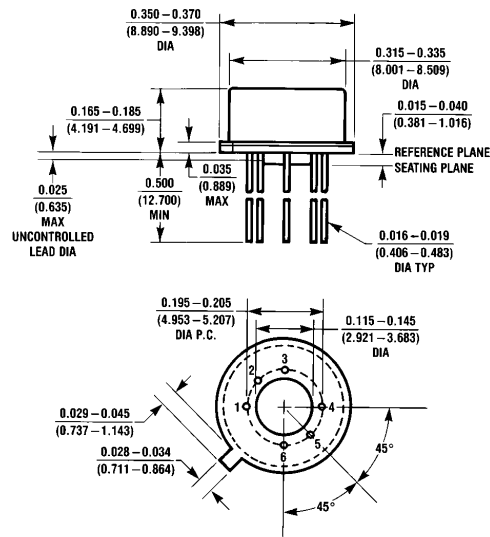
Order Number LM394N or LM394CN  
See NS Package Number N08E

TL/H/9241-13

\*Available per SMD #5962-877701



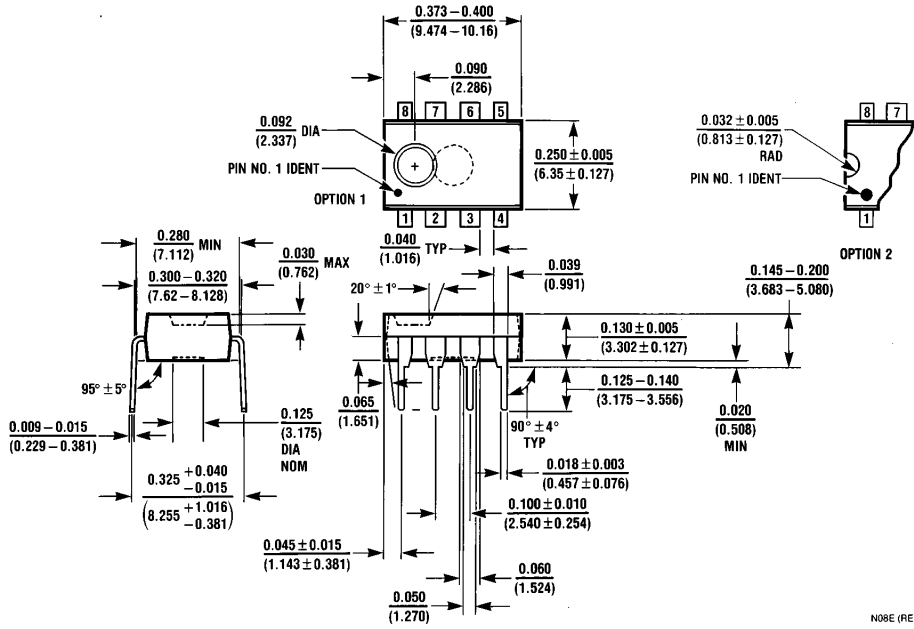
**Physical Dimensions** inches (millimeters)



H06C (REV D)

**Metal Can Package (H)**  
**Order Number LM194H/883, LM394H, LM394BH or LM394CH**  
**NS Package Number H06C**

**Physical Dimensions** inches (millimeters) (Continued)



**Molded Dual-In-Line Package (N)**  
**Order Number LM394CN or LM394N**  
**NS Package Number N08E**

N08E (REV F)

**LIFE SUPPORT POLICY**

NATIONAL'S PRODUCTS ARE NOT AUTHORIZED FOR USE AS CRITICAL COMPONENTS IN LIFE SUPPORT DEVICES OR SYSTEMS WITHOUT THE EXPRESS WRITTEN APPROVAL OF THE PRESIDENT OF NATIONAL SEMICONDUCTOR CORPORATION. As used herein:

1. Life support devices or systems are devices or systems which, (a) are intended for surgical implant into the body, or (b) support or sustain life, and whose failure to perform, when properly used in accordance with instructions for use provided in the labeling, can be reasonably expected to result in a significant injury to the user.
2. A critical component is any component of a life support device or system whose failure to perform can be reasonably expected to cause the failure of the life support device or system, or to affect its safety or effectiveness.



**National Semiconductor Corporation**  
 1111 West Bardin Road  
 Arlington, TX 76017  
 Tel: 1(800) 272-9959  
 Fax: 1(800) 737-7018

**National Semiconductor Europe**  
 Fax: (+49) 0-180-530 85 86  
 Email: cnjwge@tevm2.nsc.com  
 Deutsch Tel: (+49) 0-180-530 85 85  
 English Tel: (+49) 0-180-532 78 32  
 Français Tel: (+49) 0-180-532 93 58  
 Italiano Tel: (+49) 0-180-534 16 80

**National Semiconductor Hong Kong Ltd.**  
 19th Floor, Straight Block,  
 Ocean Centre, 5 Canton Rd.  
 Tsimshatsui, Kowloon  
 Hong Kong  
 Tel: (852) 2737-1600  
 Fax: (852) 2736-9960

**National Semiconductor Japan Ltd.**  
 Tel: 81-043-299-2309  
 Fax: 81-043-299-2408

National does not assume any responsibility for use of any circuitry described, no circuit patent licenses are implied and National reserves the right at any time without notice to change said circuitry and specifications.