



TYN606 TYN1006

STANDARD

6A SCRs

Table 1: Main Features

| Symbol | Value | Unit |
|-------------------|--------------|------|
| $I_{T(RMS)}$ | 6 | A |
| V_{DRM}/V_{RRM} | 600 and 1000 | V |
| I_{GT} | 15 | mA |

DESCRIPTION

The **TYN606** and **TYN1006** family of Silicon Controlled Rectifiers are high performance glass passivated technology.

This general purpose Family of Silicon Controlled Rectifiers is designed for power supply up to 400Hz on resistive or inductive load.

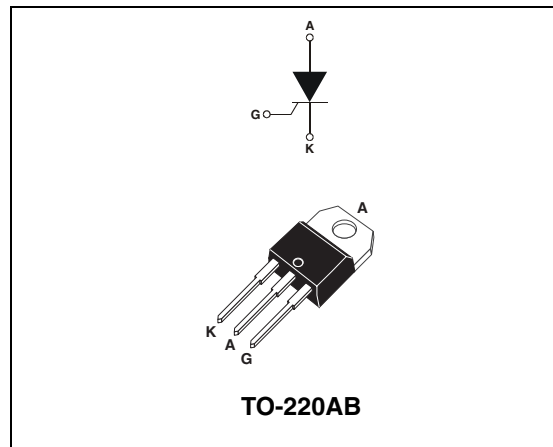


Table 2: Order Codes

| Part Numbers | Marking |
|--------------|---------|
| TYN606RG | TYN606 |
| TYN1006RG | TYN1006 |

Table 3: Absolute Ratings (limiting values)

| Symbol | Parameter | | Value | Unit |
|------------------------|---|------------------------|---------------------------|--|
| $I_{T(RMS)}$ | RMS on-state current (180° conduction angle) | | $T_c = 110^\circ\text{C}$ | 6 A |
| $I_{T(AV)}$ | Average on-state current (180° conduction angle) | | $T_c = 110^\circ\text{C}$ | 3.8 A |
| I_{TSM} | Non repetitive surge peak on-state current | $t_p = 8.3 \text{ ms}$ | $T_j = 25^\circ\text{C}$ | 73 A |
| | | $t_p = 10 \text{ ms}$ | | 70 |
| I^2t | I^2t Value for fusing | $t_p = 10 \text{ ms}$ | $T_j = 25^\circ\text{C}$ | 24.5 A^2s |
| di/dt | Critical rate of rise of on-state current $I_G = 100 \text{ mA}$, $dI_G/dt = 0.1 \text{ A}/\mu\text{s}$ | | $T_j = 125^\circ\text{C}$ | 50 $\text{A}/\mu\text{s}$ |
| I_{GM} | Peak gate current | $t_p = 20 \mu\text{s}$ | $T_j = 125^\circ\text{C}$ | 4 A |
| $P_{G(AV)}$ | Average gate power dissipation | | $T_j = 125^\circ\text{C}$ | 1 W |
| P_{GM} | Maximum gate power | $t_p = 20 \mu\text{s}$ | $T_j = 125^\circ\text{C}$ | 10 W |
| V_{DRM} V_{RRM} | Repetitive peak off-state voltage | TYN606 | $T_j = 125^\circ\text{C}$ | 600 V |
| | | TYN1006 | | 1000 |
| T_{stg} T_j | Storage junction temperature range Operating junction temperature range | | | - 40 to + 150 - 40 to + 125 $^\circ\text{C}$ |
| T_L | Maximum lead temperature for soldering during 10s at 2mm from case | | | 260 $^\circ\text{C}$ |

Tables 4: Electrical Characteristics ($T_j = 25^\circ\text{C}$, unless otherwise specified)

| Symbol | Test Conditions | | Value | Unit | | |
|------------------------|---|---------------------------|---------------------------|------|---------------|------------------------|
| I_{GT} | $V_D = 12\text{ V (D.C.)}$ $R_L = 33\ \Omega$ | | MAX. | 15 | mA | |
| V_{GT} | | | MAX. | 1.5 | V | |
| V_{GD} | $V_D = V_{DRM}$ $R_L = 3.3\ \text{k}\Omega$ | $T_j = 110^\circ\text{C}$ | MIN. | 0.2 | V | |
| t_{gt} | $V_D = V_{DRM}$ $I_G = 40\ \text{mA}$ $di_G/dt = 0.5\ \text{A}/\mu\text{s}$ | | TYP. | 2 | μs | |
| I_H | $I_T = 100\ \text{mA}$ Gate open | | MAX. | 30 | mA | |
| I_L | $I_G = 1.2 \times I_{GT}$ | | TYP. | 50 | mA | |
| dV/dt | Linear slope up to: $V_D = 67\% V_{DRM}$ Gate open | | $T_j = 110^\circ\text{C}$ | MIN. | 200 | $\text{V}/\mu\text{s}$ |
| V_{TM} | $I_{TM} = 12\ \text{A}$ $t_p = 380\ \mu\text{s}$ | | MAX. | 1.6 | V | |
| I_{DRM} I_{RRM} | $V_{DRM} = V_{RRM}$ | $T_j = 25^\circ\text{C}$ | MAX. | 10 | μA | |
| | | $T_j = 110^\circ\text{C}$ | | 2 | mA | |
| t_q | $V_D = 67\% V_{DRM}$ $I_{TM} = 12\ \text{A}$ $V_R = 25\ \text{V}$ $di_{TM}/dt = 30\ \text{A}/\mu\text{s}$ $dV_D/dt = 50\ \text{V}/\mu\text{s}$ | | $T_j = 110^\circ\text{C}$ | TYP. | 70 | μs |

Table 5: Thermal Resistance

| Symbol | Parameter | Value | Unit |
|---------------|-------------------------|-------|---------------------------|
| $R_{th(j-c)}$ | Junction to case (D.C.) | 2.5 | $^\circ\text{C}/\text{W}$ |
| $R_{th(j-a)}$ | Junction to ambient | 60 | $^\circ\text{C}/\text{W}$ |

Figure 1: Maximum average power dissipation versus average on-state current

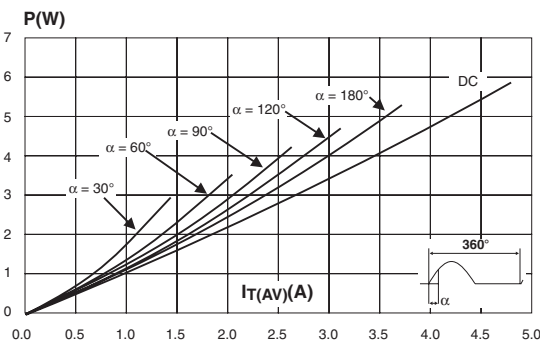


Figure 2: Correlation between maximum average power dissipation and maximum allowable temperature (T_{amb} and T_{lead})

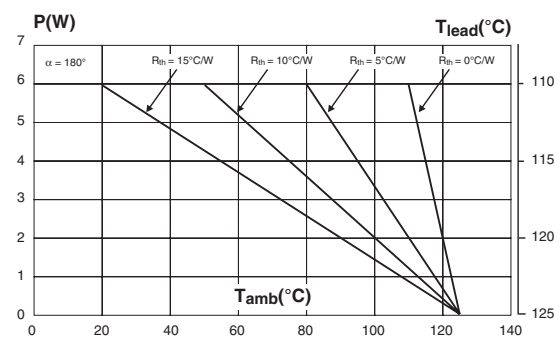


Figure 3: Average on-state current versus case temperature

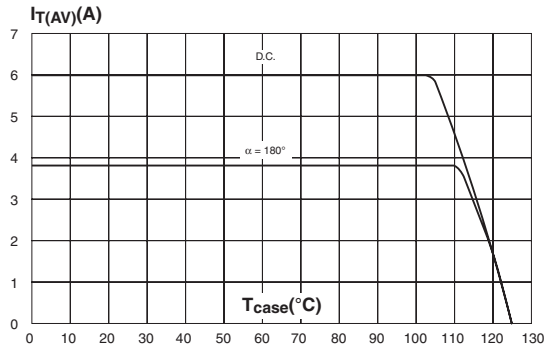


Figure 4: Relative variation of thermal impedance versus pulse duration

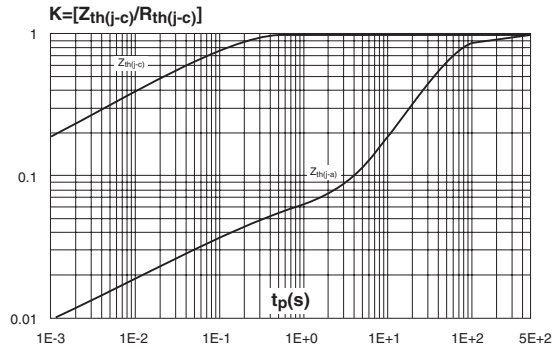


Figure 5: Relative variation of gate trigger current versus junction temperature

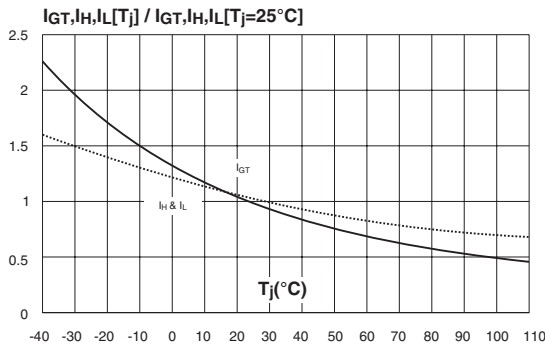


Figure 6: Surge peak on-state current versus number of cycles

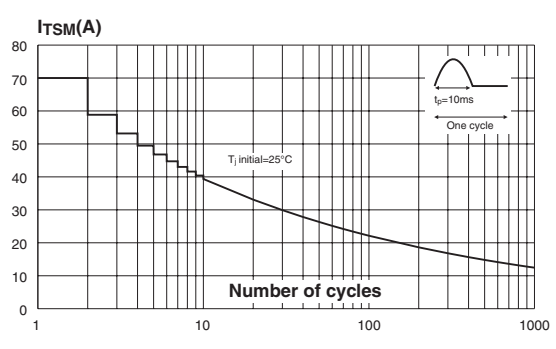


Figure 7: Non-repetitive surge peak on-state current for a sinusoidal pulse with width $t_p < 10$ ms, and corresponding values of I^2t

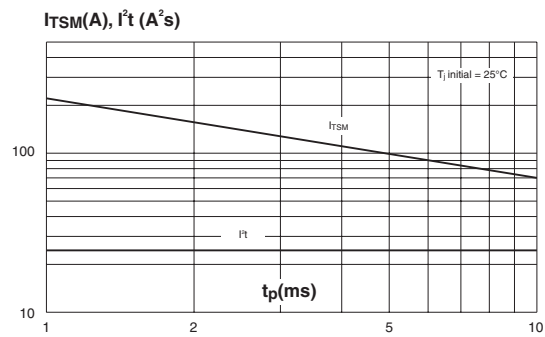


Figure 8: On-state characteristics (maximum values)

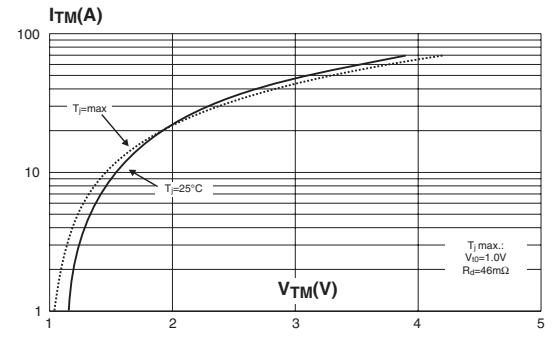


Figure 9: Ordering Information Scheme

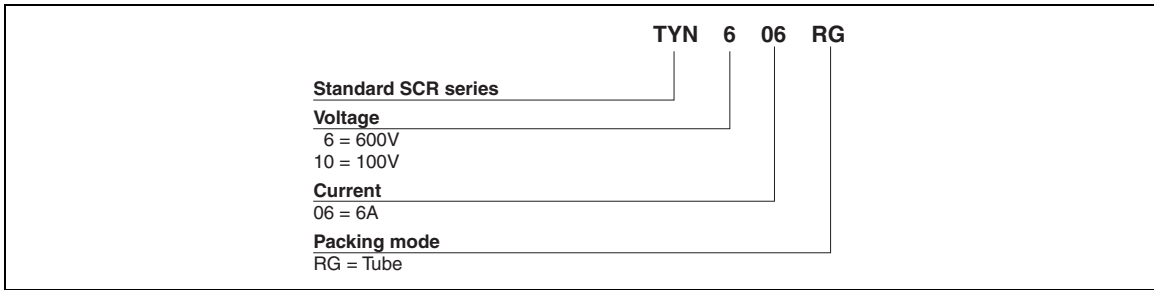
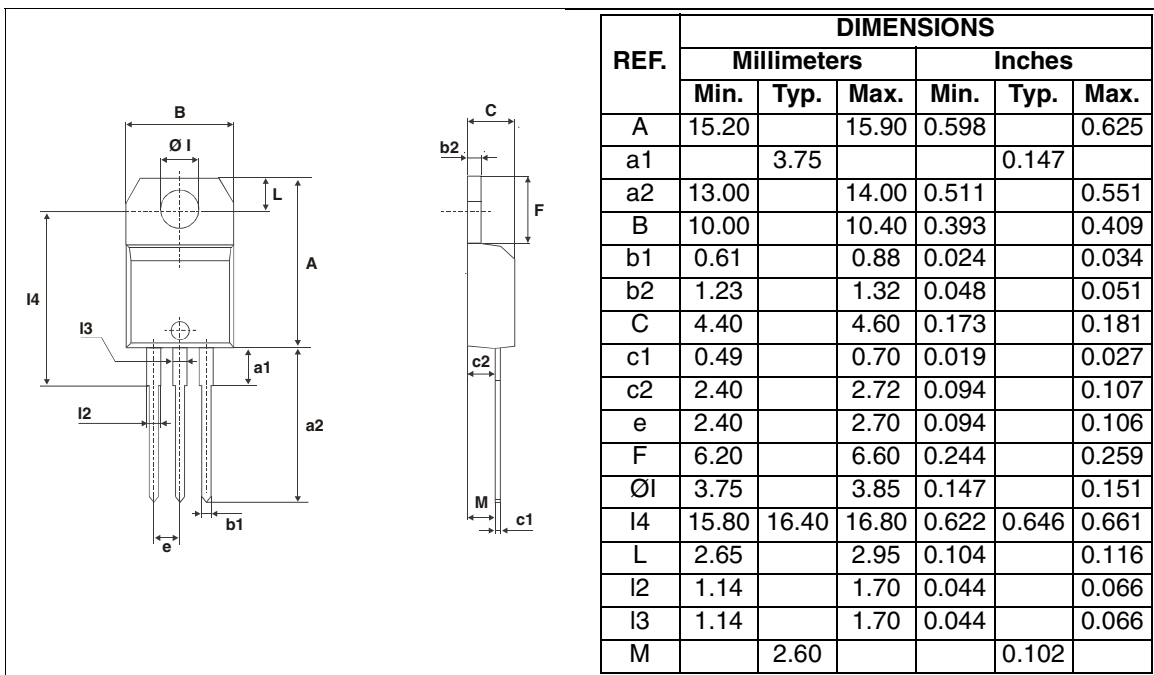


Table 6: Product Selector

| Part Numbers | Voltage (xx) | | Sensitivity | Package |
|--------------|--------------|--------|-------------|----------|
| | 600 V | 1000 V | | |
| TYN606RG | X | | 15 mA | TO-220AB |
| TYN1006RG | | X | 15 mA | TO-220AB |

Figure 10: TO-220AB Package Mechanical Data



In order to meet environmental requirements, ST offers these devices in ECOPACK® packages. These packages have a Lead-free second level interconnect . The category of second level interconnect is marked on the package and on the inner box label, in compliance with JEDEC Standard JESD97. The maximum ratings related to soldering conditions are also marked on the inner box label. ECOPACK is an ST trademark. ECOPACK specifications are available at: www.st.com.

Table 7: Ordering Information

| Ordering type | Marking | Package | Weight | Base qty | Delivery mode |
|---------------|---------|----------|--------|----------|---------------|
| TYN606RG | TYN606 | TO-220AB | 2.3 g | 50 | Tube |
| TYN1006RG | TYN1006 | | | | |

Table 8: Revision History

| Date | Revision | Description of Changes |
|-------------|----------|---|
| Sep-2001 | 1A | First issue. |
| 13-Feb-2006 | 2 | TO-220AB delivery mode changed from bulk to tube. ECOPACK statement added. |

Information furnished is believed to be accurate and reliable. However, STMicroelectronics assumes no responsibility for the consequences of use of such information nor for any infringement of patents or other rights of third parties which may result from its use. No license is granted by implication or otherwise under any patent or patent rights of STMicroelectronics. Specifications mentioned in this publication are subject to change without notice. This publication supersedes and replaces all information previously supplied. STMicroelectronics products are not authorized for use as critical components in life support devices or systems without express written approval of STMicroelectronics.

The ST logo is a registered trademark of STMicroelectronics.
All other names are the property of their respective owners

© 2006 STMicroelectronics - All rights reserved

STMicroelectronics group of companies

Australia - Belgium - Brazil - Canada - China - Czech Republic - Finland - France - Germany - Hong Kong - India - Israel - Italy - Japan -
Malaysia - Malta - Morocco - Singapore - Spain - Sweden - Switzerland - United Kingdom - United States of America
www.st.com