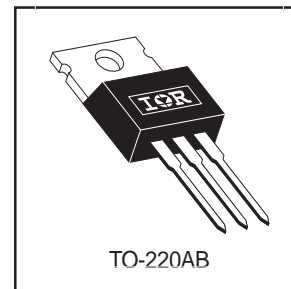
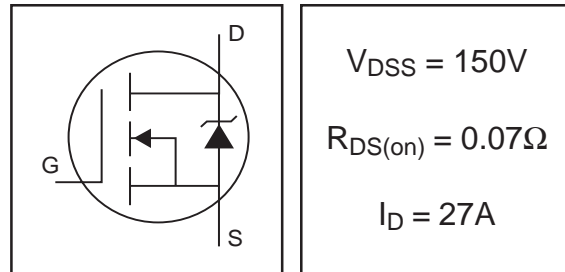


- Advanced Process Technology
- Dynamic dv/dt Rating
- 175°C Operating Temperature
- Fast Switching
- Fully Avalanche Rated

**Description**

Fifth Generation HEXFETs from International Rectifier utilize advanced processing techniques to achieve extremely low on-resistance per silicon area. This benefit, combined with the fast switching speed and ruggedized device design that HEXFET Power MOSFETs are well known for, provides the designer with an extremely efficient and reliable device for use in a wide variety of applications.

The TO-220 package is universally preferred for all commercial-industrial applications at power dissipation levels to approximately 50 watts. The low thermal resistance and low package cost of the TO-220 contribute to its wide acceptance throughout the industry.



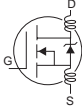
**Absolute Maximum Ratings**

|                                 | Parameter                                       | Max.               | Units |
|---------------------------------|---|--------------------|-------|
| $I_D @ T_C = 25^\circ\text{C}$  | Continuous Drain Current, $V_{GS} @ 10\text{V}$ | 27                 | A     |
| $I_D @ T_C = 100^\circ\text{C}$ | Continuous Drain Current, $V_{GS} @ 10\text{V}$ | 19                 |       |
| $I_{DM}$                        | Pulsed Drain Current ①                          | 108                |       |
| $P_D @ T_C = 25^\circ\text{C}$  | Power Dissipation                               | 136                | W     |
|                                 | Linear Derating Factor                          | 0.91               | W/°C  |
| $V_{GS}$                        | Gate-to-Source Voltage                          | $\pm 20$           | V     |
| $E_{AS}$                        | Single Pulse Avalanche Energy②                  | 350                | mJ    |
| $I_{AR}$                        | Avalanche Current③                              | 12                 | A     |
| $E_{AR}$                        | Repetitive Avalanche Energy④                    | 13.6               | mJ    |
| dv/dt                           | Peak Diode Recovery dv/dt ⑤                     | 2.5                | V/ns  |
| $T_J$                           | Operating Junction and                          | -55 to + 175       | °C    |
| $T_{STG}$                       | Storage Temperature Range                       |                    |       |
|                                 | Soldering Temperature, for 10 seconds           |                    |       |
|                                 | Mounting torque, 6-32 or M3 srew                | 10 lbf•in (1.1N•m) |       |

**Thermal Resistance**

|                 | Parameter                           | Typ. | Max. | Units |
|-----------------|-------------------------------------|------|------|-------|
| $R_{\theta JC}$ | Junction-to-Case                    | —    | 1.1  | °C/W  |
| $R_{\theta CS}$ | Case-to-Sink, Flat, Greased Surface | 0.50 | —    |       |
| $R_{\theta JA}$ | Junction-to-Ambient                 | —    | 62   |       |

## Electrical Characteristics @ T<sub>J</sub> = 25°C (unless otherwise specified)

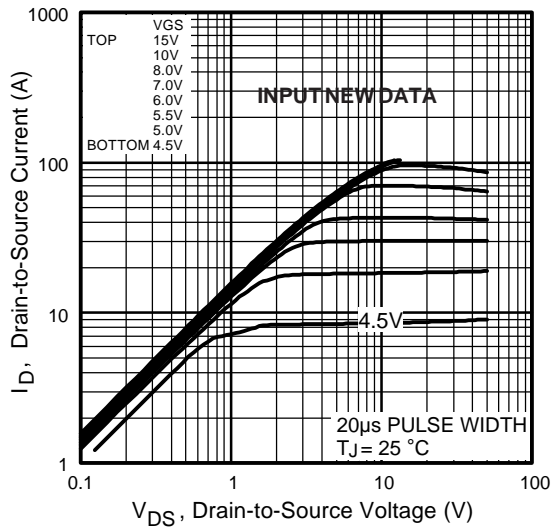
|  | Parameter                            | Min. | Typ.  | Max. | Units | Conditions   |
|--|--------------------------------------|------|-------|------|-------|--|
| V <sub>(BR)DSS</sub>                   | Drain-to-Source Breakdown Voltage    | 150  | —     | —    | V     | V <sub>GS</sub> = 0V, I <sub>D</sub> = 250μA   |
| ΔV <sub>(BR)DSS</sub> /ΔT <sub>J</sub> | Breakdown Voltage Temp. Coefficient  | —    | 0.187 | —    | V/°C  | Reference to 25°C, I <sub>D</sub> = 1mA  |
| R <sub>DS(on)</sub>                    | Static Drain-to-Source On-Resistance | —    | —     | 0.07 | Ω     | V <sub>GS</sub> = 10V, I <sub>D</sub> = 12A ④  |
| V <sub>GS(th)</sub>                    | Gate Threshold Voltage               | 2.0  | —     | 4.0  | V     | V <sub>DS</sub> = V <sub>GS</sub> , I <sub>D</sub> = 250μA                           |
| g <sub>fs</sub>                        | Forward Transconductance             | 11.4 | —     | —    | S     | V <sub>DS</sub> = 50V, I <sub>D</sub> = 12A  |
| I <sub>DSS</sub>                       | Drain-to-Source Leakage Current      | —    | —     | 25   | μA    | V <sub>DS</sub> = 150V, V <sub>GS</sub> = 0V   |
|  |                                      | —    | —     | 250  |       | V <sub>DS</sub> = 120V, V <sub>GS</sub> = 0V, T <sub>J</sub> = 125°C                 |
| I <sub>GSS</sub>                       | Gate-to-Source Forward Leakage       | —    | —     | 100  | nA    | V <sub>GS</sub> = 20V  |
|  | Gate-to-Source Reverse Leakage       | —    | —     | -100 |       | V <sub>GS</sub> = -20V   |
| Q <sub>g</sub>                         | Total Gate Charge                    | —    | —     | 95   | nC    | I <sub>D</sub> = 12A   |
| Q <sub>gs</sub>                        | Gate-to-Source Charge                | —    | —     | 11   |       | V <sub>DS</sub> = 120V   |
| Q <sub>gd</sub>                        | Gate-to-Drain ("Miller") Charge      | —    | —     | 47   |       | V <sub>GS</sub> = 10V, See Fig. 6 and 13 ④   |
| t <sub>d(on)</sub>                     | Turn-On Delay Time                   | —    | 9.6   | —    | ns    | V <sub>DD</sub> = 75V  |
| t <sub>r</sub>                         | Rise Time                            | —    | 32    | —    |       | I <sub>D</sub> = 12A   |
| t <sub>d(off)</sub>                    | Turn-Off Delay Time                  | —    | 49    | —    |       | R <sub>G</sub> = 5.1Ω  |
| t <sub>f</sub>                         | Fall Time                            | —    | 38    | —    |       | R <sub>D</sub> = 5.9Ω, See Fig. 10 ④   |
| L <sub>D</sub>                         | Internal Drain Inductance            | —    | 4.5   | —    | nH    | Between lead,<br>6mm (0.25in.)<br>from package<br>and center of die contact          |
| L <sub>S</sub>                         | Internal Source Inductance           | —    | 7.5   | —    |       |  |
| C <sub>iss</sub>                       | Input Capacitance                    | —    | 1300  | —    | pF    | V <sub>GS</sub> = 0V   |
| C <sub>oss</sub>                       | Output Capacitance                   | —    | 300   | —    |       | V <sub>DS</sub> = 25V  |
| C <sub>rss</sub>                       | Reverse Transfer Capacitance         | —    | 160   | —    |       | f = 1.0MHz, See Fig. 5   |

## Source-Drain Ratings and Characteristics

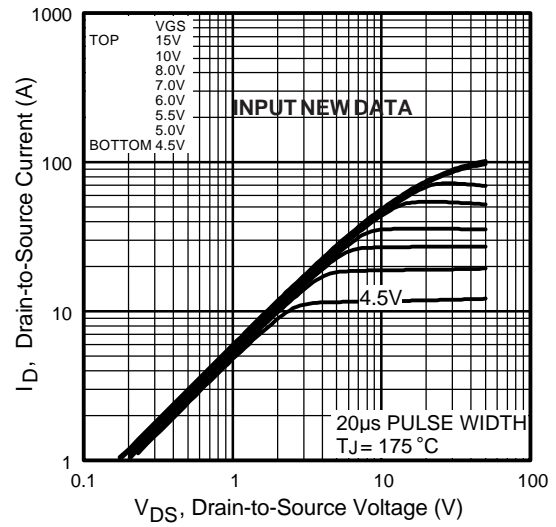
|                 | Parameter                                 | Min.   | Typ. | Max. | Units | Conditions  |
|-----------------|---|--|------|------|-------|---|
| I <sub>S</sub>  | Continuous Source Current<br>(Body Diode) | —  | —    | 27   | A     | MOSFET symbol<br>showing the<br>integral reverse<br>p-n junction diode. |
| I <sub>SM</sub> | Pulsed Source Current<br>(Body Diode) ①   | —  | —    | 108  |       |   |
| V <sub>SD</sub> | Diode Forward Voltage                     | —  | —    | 1.3  | V     | T <sub>J</sub> = 25°C, I <sub>S</sub> = 12A, V <sub>GS</sub> = 0V ④     |
| t <sub>rr</sub> | Reverse Recovery Time                     | —  | 174  | 260  | ns    | T <sub>J</sub> = 25°C, I <sub>F</sub> = 12A                             |
| Q <sub>rr</sub> | Reverse Recovery Charge                   | —  | 1.2  | 1.7  | μC    | di/dt = 100A/μs ④   |
| t <sub>on</sub> | Forward Turn-On Time                      | Intrinsic turn-on time is negligible (turn-on is dominated by L <sub>S</sub> +L <sub>D</sub> ) |      |      |       |   |

### Notes:

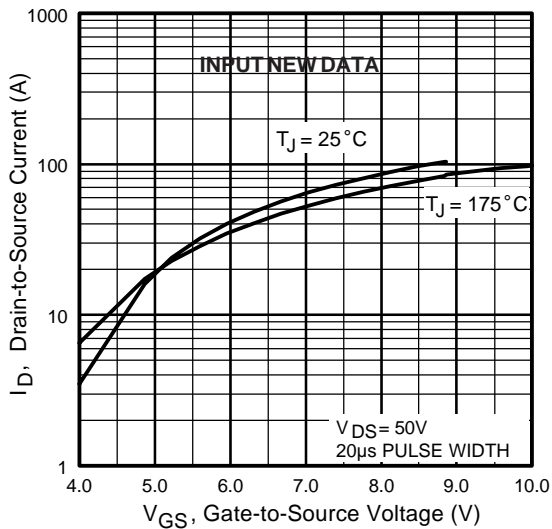
- ① Repetitive rating; pulse width limited by max. junction temperature. ( See fig. 11 )
- ② Starting T<sub>J</sub> = 25°C, L = 4.9mH  
R<sub>G</sub> = 25 Ω, I<sub>AS</sub> = 12A. (See Figure 12)
- ③ I<sub>SD</sub> ≤ 12A, di/dt ≤ 140A/μs, V<sub>DD</sub> ≤ V<sub>(BR)DSS</sub>,  
T<sub>J</sub> ≤ 175°C
- ④ Pulse width ≤ 300μs; duty cycle ≤ 2%.



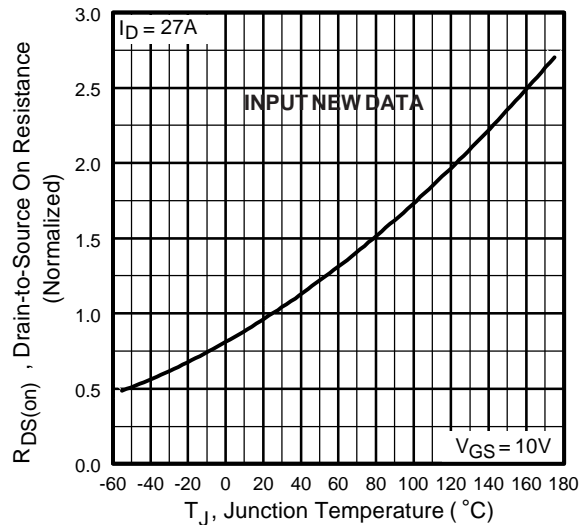
**Fig 1.** Typical Output Characteristics



**Fig 2.** Typical Output Characteristics



**Fig 3.** Typical Transfer Characteristics



**Fig 4.** Normalized On-Resistance Vs. Temperature

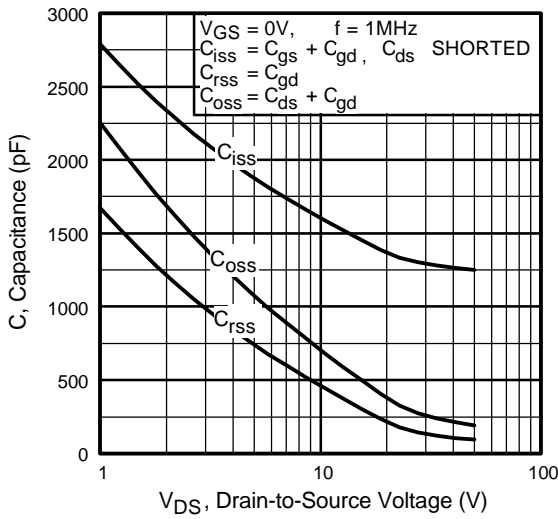


Fig 5. Typical Capacitance Vs. Drain-to-Source Voltage

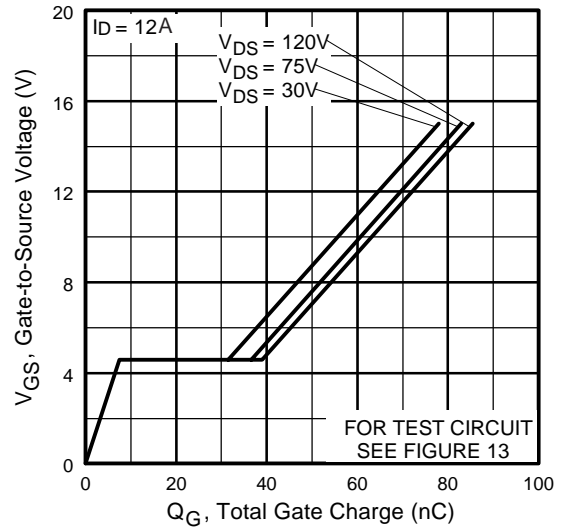


Fig 6. Typical Gate Charge Vs. Gate-to-Source Voltage

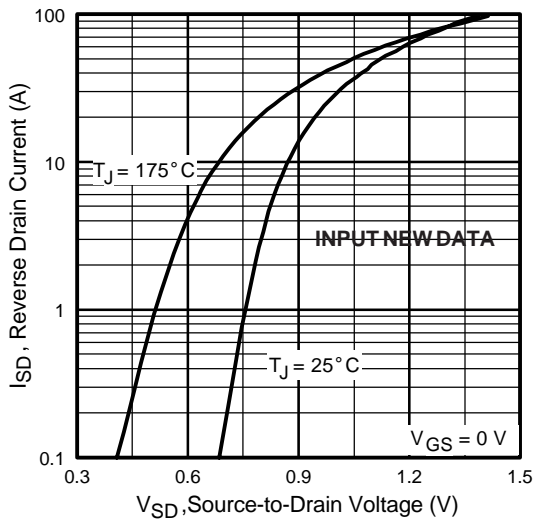


Fig 7. Typical Source-Drain Diode Forward Voltage

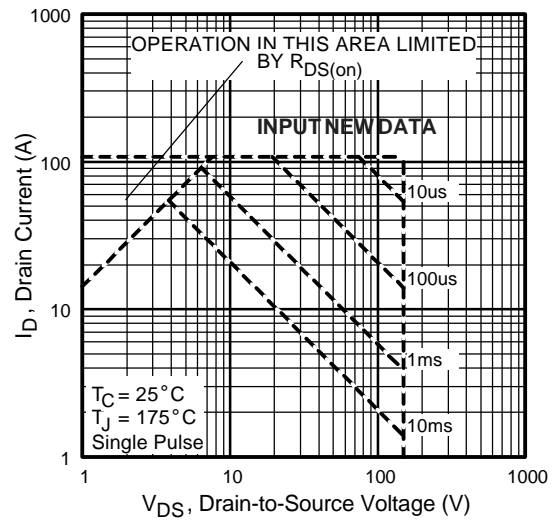
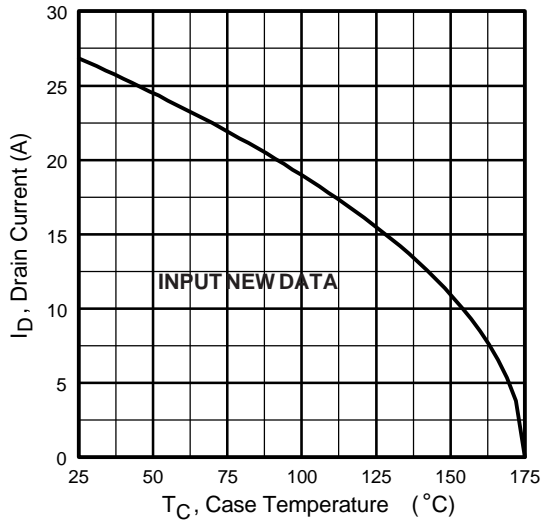
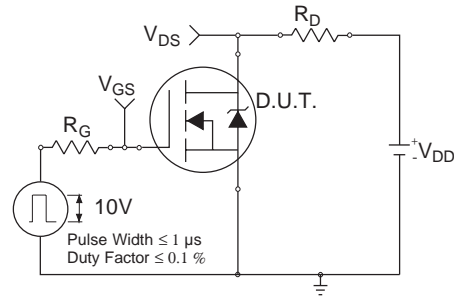


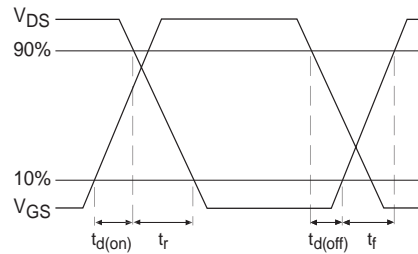
Fig 8. Maximum Safe Operating Area



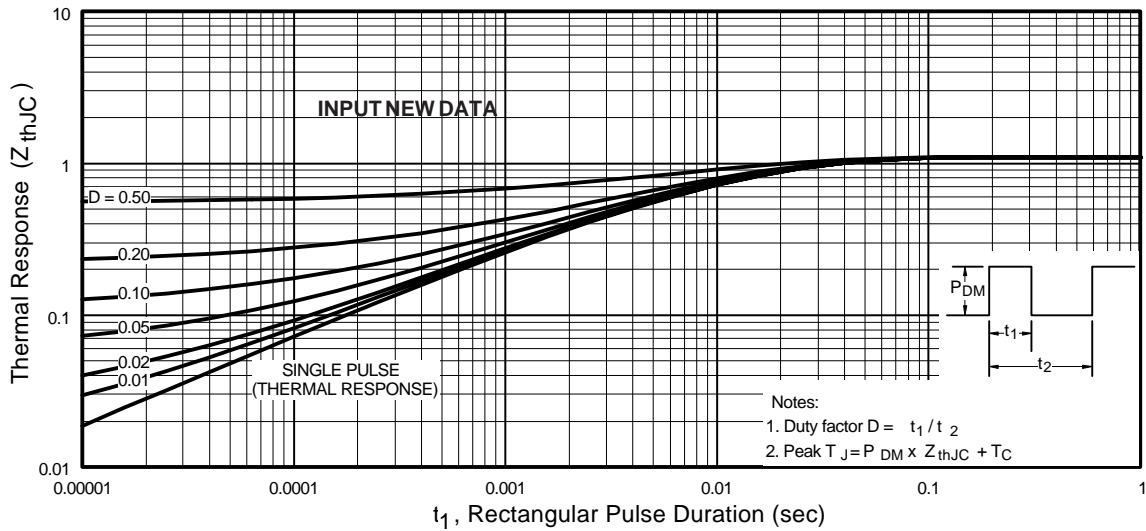
**Fig 9.** Maximum Drain Current Vs. Case Temperature



**Fig 10a.** Switching Time Test Circuit



**Fig 10b.** Switching Time Waveforms



**Fig 11.** Maximum Effective Transient Thermal Impedance, Junction-to-Case

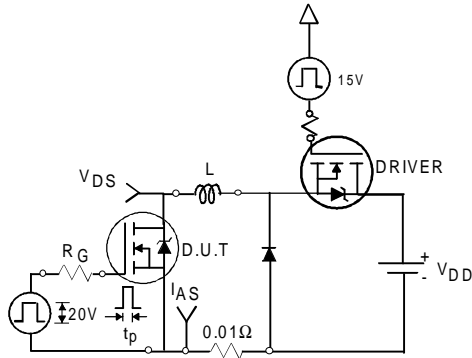


Fig 12a. Unclamped Inductive Test Circuit

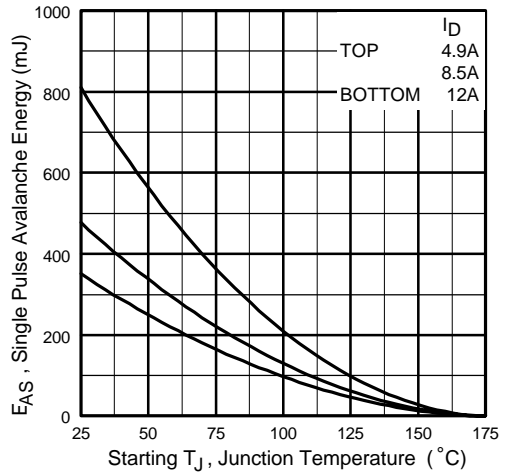


Fig 12c. Maximum Avalanche Energy Vs. Drain Current

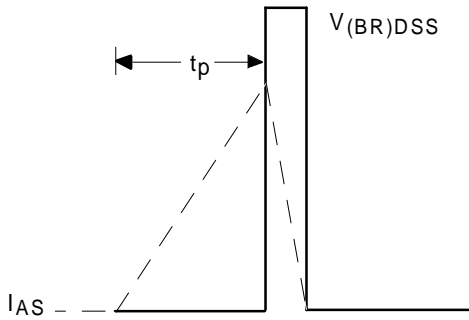


Fig 12b. Unclamped Inductive Waveforms

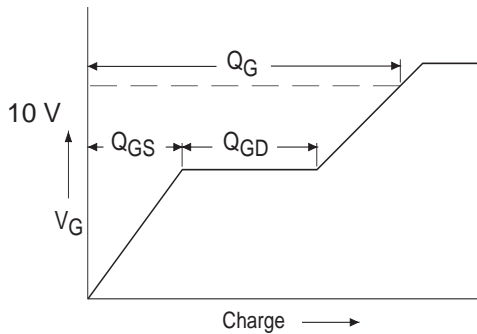


Fig 13a. Basic Gate Charge Waveform

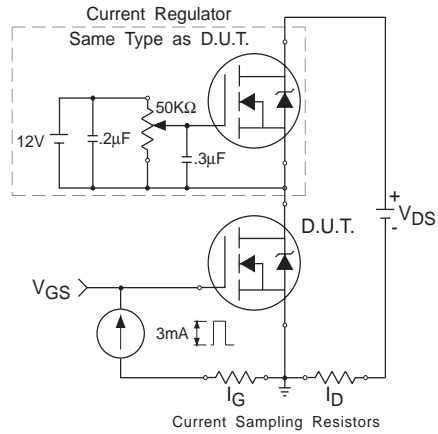
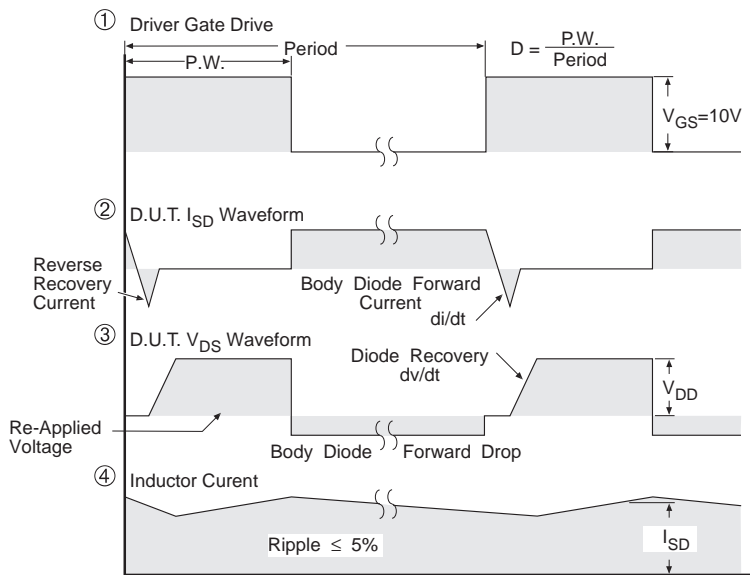
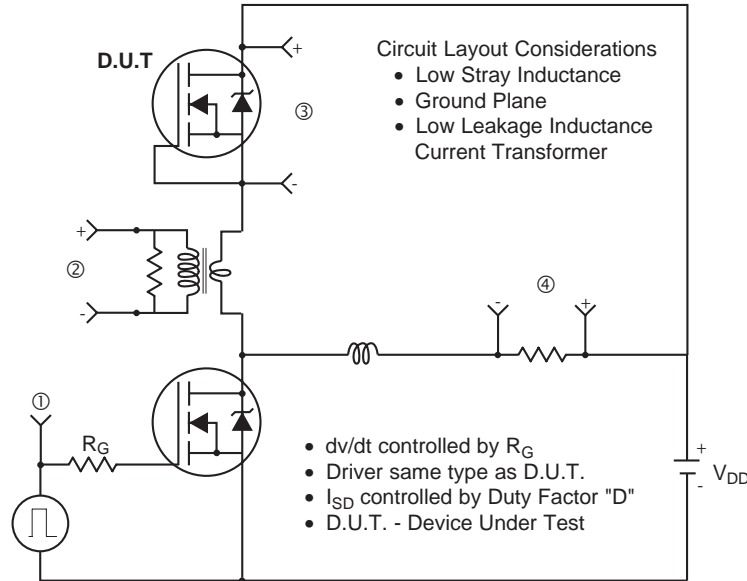


Fig 13b. Gate Charge Test Circuit

**Peak Diode Recovery dv/dt Test Circuit**



\*  $V_{GS} = 5V$  for Logic Level Devices

**Fig 14. For N-Channel HEXFETS**

# IRF3315

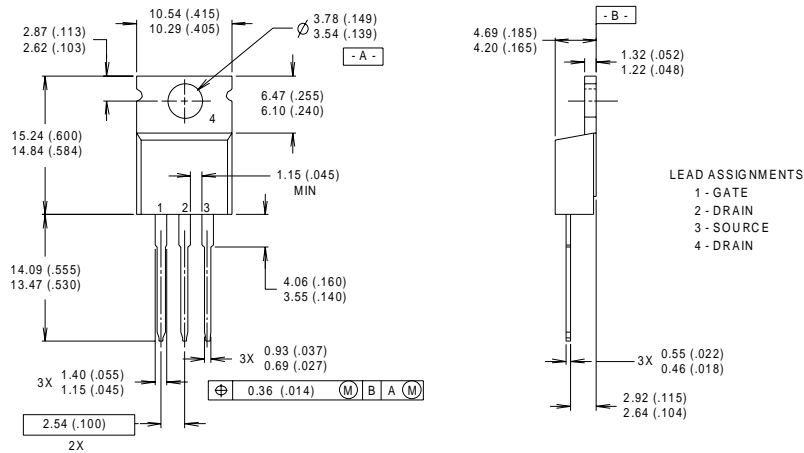
**APPROVED**

International  
**IR** Rectifier

## Package Outline

### TO-220AB Outline

Dimensions are shown in millimeters (inches)



**NOTES:**

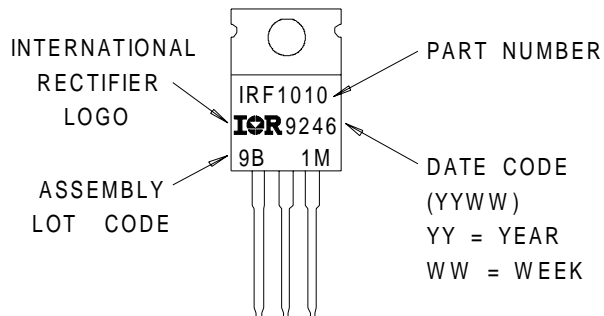
- 1 DIMENSIONING & TOLERANCING PER ANSII Y14.5M, 1982.
- 2 CONTROLLING DIMENSION : INCH

- 3 OUTLINE CONFORMS TO JEDEC OUTLINE TO-220AB.
- 4 HEATSINK & LEAD MEASUREMENTS DO NOT INCLUDE BURRS.

## Part Marking Information

### TO-220AB

EXAMPLE : THIS IS AN IRF1010  
WITH ASSEMBLY  
LOT CODE 9B1M



International  
**IR** Rectifier

**WORLD HEADQUARTERS:** 233 Kansas St., El Segundo, California 90245, Tel: (310) 322 3331  
**EUROPEAN HEADQUARTERS:** Hurst Green, Oxted, Surrey RH8 9BB, UK Tel: ++ 44 1883 732020  
**IR CANADA:** 7321 Victoria Park Ave., Suite 201, Markham, Ontario L3R 2Z8, Tel: (905) 475 1897  
**IR GERMANY:** Saalburgstrasse 157, 61350 Bad Homburg Tel: ++ 49 6172 96590  
**IR ITALY:** Via Liguria 49, 10071 Borgaro, Torino Tel: ++ 39 11 451 0111

**IR FAR EAST:** K&H Bldg., 2F, 30-4 Nishi-Ikebukuro 3-Chome, Toshima-Ku, Tokyo Japan 171 Tel: 81 3 3983 0086  
**IR SOUTHEAST ASIA:** 315 Outram Road, #10-02 Tan Boon Liat Building, Singapore 0316 Tel: 65 221 8371  
<http://www.irf.com/> Data and specifications subject to change without notice. 12/98



Note: For the most current drawings please refer to the IR website at:  
<http://www.irf.com/package/>