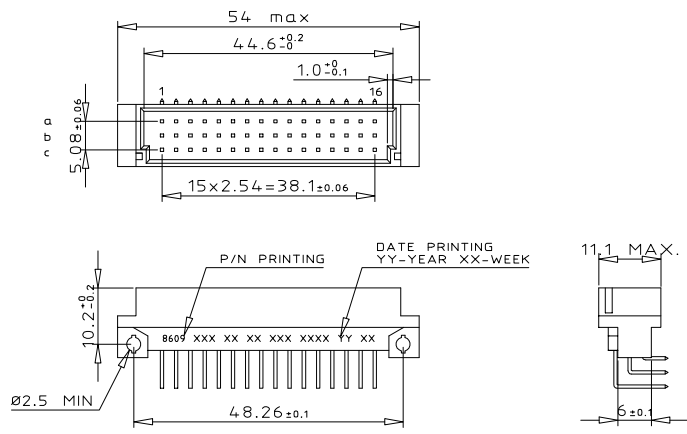
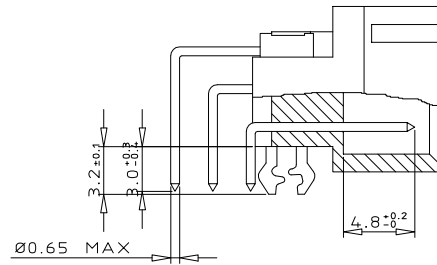


### DIMENSIONS



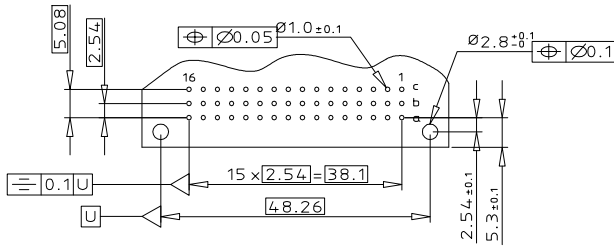
### TERMINATION



### ORDERING INFORMATION

SERIES	8609	3	4.8	7	3	13	7	4	5	ELF
ROWS FITTED WITH CONTACTS										
ROW a									16	
ROW a b c									48	
ROW a - c									32	
NO. OF CONTACTS										
TYPE OF INSULATOR										7
3 ROW MALE INSULATOR										
METHOD OF MOUNTING										
STANDARD MOUNTING - STYLE C/2										3
TERMINATION										
ANGLED SPILL										13
OPTIONS										
NO. OPTION WITH HARPOONS										7
PERFORMANCE CLASS										
DIN 41612 CLASS 3										4
DIN 41612 CLASS 2										5
DIN 41612 CLASS 1										6
AS PER MIL C 55302 / JSS 50808										8
PITCH PER ROW										
2.54 mm										8
LEAD FREE VERSION										ELF

### PCB LAYOUT



GENERAL CHARACTERISTICS & RoHS INFO

REFER DRAWING C-8609-0000A

mat'l. code	SEE DWG C-8609-0000A	surface	ISO 1302	tolerance	ISO 406 ISO 1101	projection	product family	8609
itr	ecn no dr	date	tolerances unless otherwise specified	angles	linear	mm	title	DIN STANDARD HEADER
A	104-0063	MINI	2004-09-12		0.X ±0.1	mm	title	DIN 41612 STYLE C/2
B	104-0100	MINI	2004-11-09		0.XX ±0.1	mm	title	DIN 41612 STYLE C/2
C	105-0089	MINI	2005-05-19	0*2*	0.XXX ±0.1	mm	title	DIN 41612 STYLE C/2
D	106-0061	MINI	2006-05-31	dr	MINI K V	2004-09-17	dwg no	sheet 1 of 1
E	108-0166	KR	2008-10-21	engr	RAKHEE G	2004-09-17	type	Product Customer Drawing
F	109-0217	KR	2009-10-13	chr	KESAVAN R	2010-01-13	type	Product Customer Drawing
G	110-0020	KR	2010-01-13	appd	KESAVAN R	2010-01-13	type	Product Customer Drawing
sheet index	revision	sheet	1					