

4

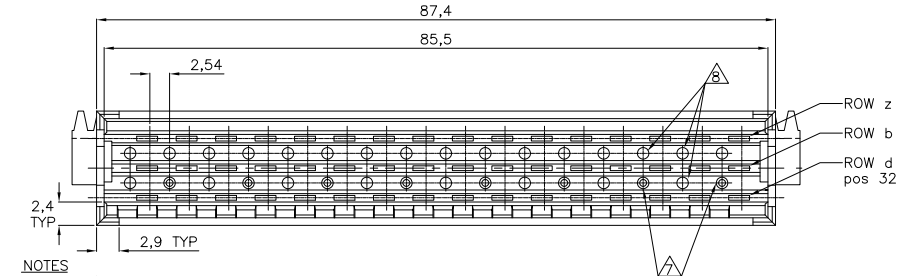
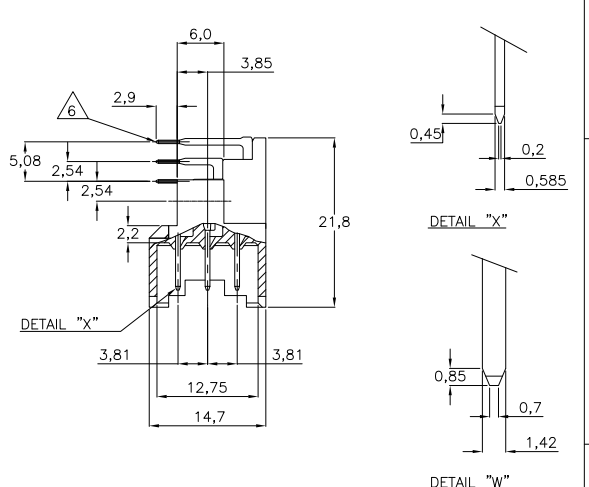
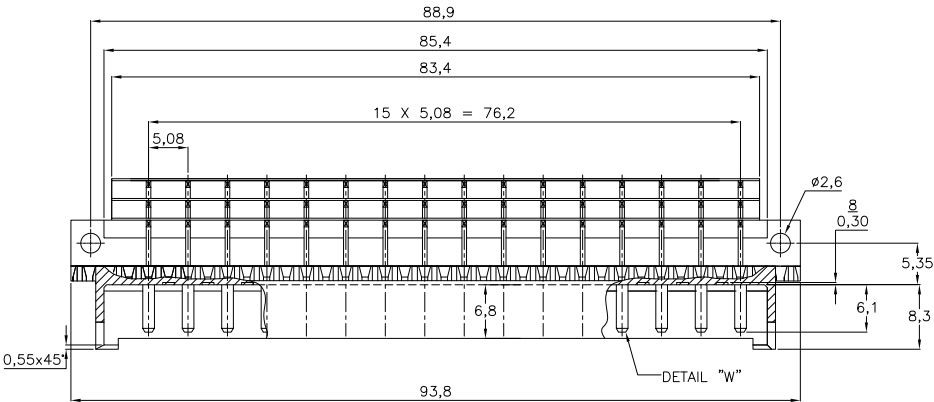
3

2

1

THIS DRAWING IS UNPUBLISHED. RELEASED FOR PUBLICATION
 © COPYRIGHT - By - ALL RIGHTS RESERVED.

LOC	DIST	REVISIONS			
P	LTR	DESCRIPTION	DATE	DWN	APVD
H	-	REVISED PER ECO-11-005294	02APR11	RK	HMR



POS. NO	2	4	6	8	10	12	14	16	18	20	22	24	26	28	30	32
F 48 ROW	x	x	x	x	x	x	x	x	x	x	x	x	x	x	x	x
	x	x	x	x	x	x	x	x	x	x	x	x	x	x	x	x

AN ASTERISK „X” DENOTES A STANDARD CONTACT.

- NOTES
- MATERIAL:
-HOUSING: THERMOPLASTIC POLYESTER, COLOR GREY.
-CONTACTS: BRASS.
 - PLATING CONTACT: 1,25 µm Au OVER 1,25 µm Ni IN CONTACT AREA.
Sn over 1,25 µm Ni ON SOLDER POST.
 - PLATING CONTACT: 0,8 µm Au OVER 1,25 µm Ni IN CONTACT AREA.
Sn over 1,25 µm Ni ON SOLDER POST.
 - PLATING CONTACT: 2,0 µm Au OVER 1,25 µm Ni IN CONTACT AREA.
Sn over 1,25 µm Ni ON SOLDER POST.
 - PLATING CONTACT: 0,4 µm Au OVER 1,25 µm Ni IN CONTACT AREA.
Sn over 1,25 µm Ni ON SOLDER POST.
 - SOLDER POSTS SUITABLE FOR P.C.B. HOLES
0,8+/-0,05 OR 1,0+/-0,1 DIA.
 - 8 HOLES SUITABLE FOR KEYING PIN PN. 215916-1.
 - KEYING HOLES TO BE DRILLED BY CUSTOMER.

2--7 OBSOLETE	SEE NOTE 5	SEE NOTE 1	2-164045-8
	SEE NOTE 4		2-164045-7
	SEE NOTE 3		2-164045-4
	SEE NOTE 2		2-164045-1
	FINISH	MATERIAL	PART NUMBER

THIS DRAWING IS A CONTROLLED DOCUMENT.

DIMENSIONS: mm	TOLERANCES UNLESS OTHERWISE SPECIFIED:	DWN R.V. LOKVEN 27AUG91	
0 PLC ±	1 PLC ±	CHK J. GIBBELS	
2 PLC ±	3 PLC ±	APVD	
4 PLC ±	ANGLES ±	PRODUCT SPEC	
MATERIAL	FINISH	NAME	48 POS. DIN 41612 F MALE 90 DEG. SOLDER CONNECTOR
		APPLICATION SPEC	RESTRICTED TO
		WEIGHT	SIZE A3 CAGE CODE 00779 DRAWING NO C-164045
		CUSTOMER DRAWING	SCALE NTS SHEET 1 of 2 REV W2

4

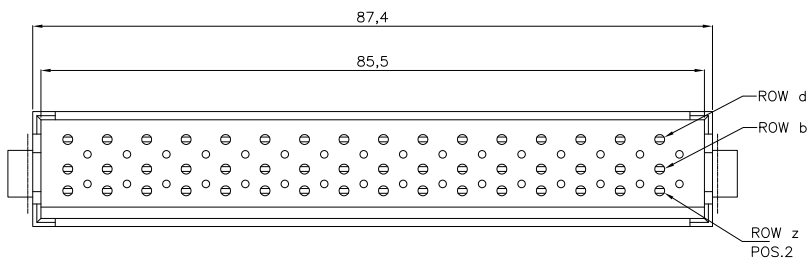
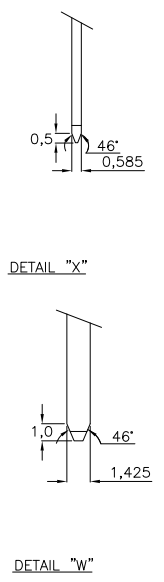
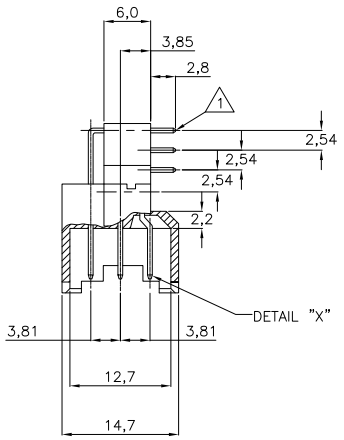
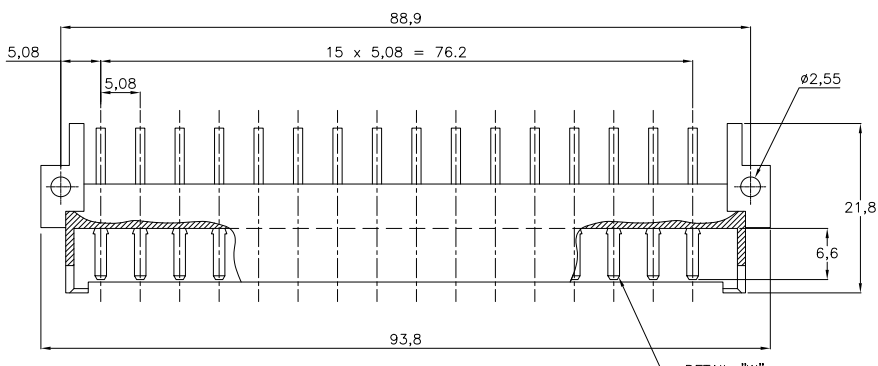
3

2

1

THIS DRAWING IS UNPUBLISHED. RELEASED FOR PUBLICATION
 © COPYRIGHT - By - ALL RIGHTS RESERVED.

LOC		DIST		REVISIONS			
P	LTR	DESCRIPTION	DATE	DWN	APVD		
-	-	SEE SHEET 1	-	-	-	-	-



- 9 PLATING CONTACT: 1,25 μm Au OVER 1,25 μm Ni IN CONTACT AREA.
Sn over 1,25 μm Ni ON SOLDER POST.
- 10 PLATING CONTACT: 0,8 μm Au OVER 1,25 μm Ni IN CONTACT AREA.
Sn over 1,25 μm Ni ON SOLDER POST.

SUPERSEDED BY 2-164045-4	SEE NOTE	10	SEE NOTE	1	9-164045-4
SUPERSEDED BY 2-164045-1	SEE NOTE	9	SEE NOTE	1	9-164045-1
FINISH			MATERIAL		PART NUMBER

POS. NO	2	4	6	8	10	12	14	16	18	20	22	24	26	28	30	32
F 48 ROW	X	X	X	X	X	X	X	X	X	X	X	X	X	X	X	X
d	X	X	X	X	X	X	X	X	X	X	X	X	X	X	X	X
b	X	X	X	X	X	X	X	X	X	X	X	X	X	X	X	X
z	X	X	X	X	X	X	X	X	X	X	X	X	X	X	X	X

AN ASTERISK „X” DENOTES A STANDARD CONTACT.

THIS DRAWING IS A CONTROLLED DOCUMENT. DWN: J.GIBBELS 04AUG97
 CHK: J.GIBBELS
 APVD: J.GIBBELS

STE TE Connectivity

48 POS. DIN 41612 F MALE
90 DEG. SOLDER CONNECTOR

SIZE: A3 CAGE CODE: 00779 DRAWING NO: 164045 RESTRICTED TO: -
 WEIGHT: -
 MATERIAL: - FINISH: -
 CUSTOMER DRAWING SCALE: NTS SHEET: 2 OF 2 REV: W2