

VS-15-SET-EMV

Order No.: 1689132


The illustration shows the version VS-09-SET-EMV



<http://eshop.phoenixcontact.de/phoenix/treeViewClick.do?UID=1689132>

D-SUB connector set, shell size 2, IP67 protection, with shrouds

Commercial data

| | |
|--------------------------|--|
| GTIN (EAN) |  4 017918 877996 |
| sales group | D500 |
| Pack | 1 pcs. |
| Customs tariff | 85366990 |
| Catalog page information | Page 443 (PC-2011) |

Product notes

WEEE/RoHS-compliant since:
05/10/2006



<http://www.download.phoenixcontact.com>
Please note that the data given here has been taken from the online catalog. For comprehensive information and data, please refer to the user documentation. The General Terms and Conditions of Use apply to Internet downloads.

Technical data

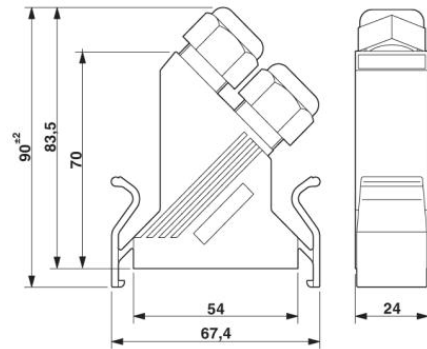
General characteristics

| | |
|------------------------------------|--------|
| Design | 15 |
| Degree of protection | IP67 |
| Inflammability class acc. to UL 94 | V0 |
| Cable exit | Angled |
| Housing material | PA |

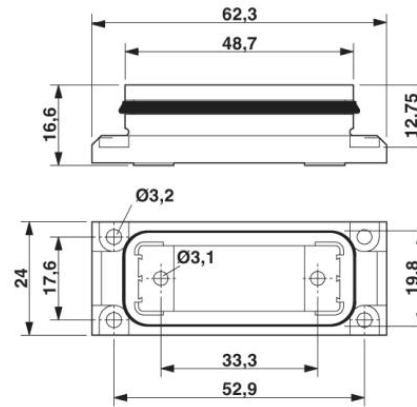
| | |
|---------------------------------|--|
| Seal material | Flat gasket: NBR; profile gasket: EPDM |
| Ambient temperature (operation) | -40 °C ... 80 °C |

Diagrams/Drawings

Dimensioned drawing



D-SUB sleeve housings



D-SUB panel mounting frame

Address

PHOENIX CONTACT Inc., USA
586 Fulling Mill Road
Middletown, PA 17057, USA
Phone (800) 888-7388
Fax (717) 944-1625
<http://www.phoenixcon.com>



© 2011 Phoenix Contact
Technical modifications reserved;