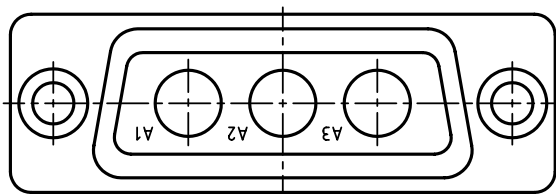
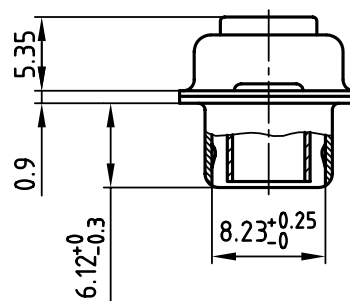
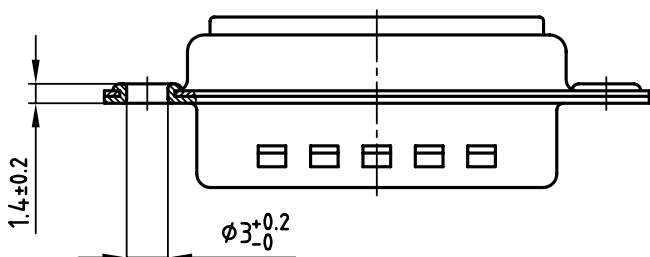
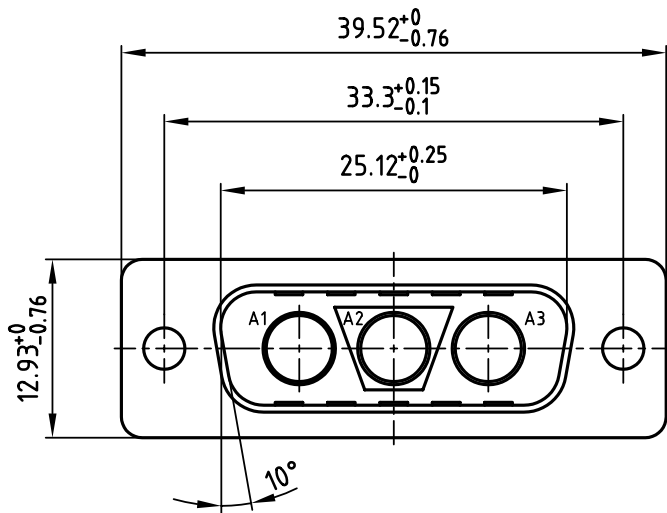


used for: D-SUB COMBINATION



Directive 2002/95/EC  
"RoHS"  
Compliant

**NOTES:**

1. METALSHELLS: STEEL: TIN PLATED
2. INSULATOR: PBT GF UL 94 V-0; GREEN

THIS DRAWING MAY NOT BE COPIED OR REPRODUCED IN ANY WAY, AND MAY NOT BE PASSED ON TO A THIRD PARTY WITHOUT WRITTEN PERMISSION. OWNERSHIP AND COPYRIGHT OF CONEC GmbH DO NOT ALTER CAD DRAWING BY HAND

tolerance			
1999	date	name	
drawn	29.03.	Barcinski	
appd.	29.03.	Mickenbecker	
norm			
d-old			
rev.	description	date	name

scale:	2:1		
material:	SEE NOTES		
title:	<b>D-SUB COMBINATION MALE</b> 3W3CP WITHOUT CONTACTS		
dwg no:	CAD/ REL.14	DIN-A	
	13K1108A	4	
		sh: 1/1	
product no:	303W3CPXX99A10X		