

FCI CONFIDENTIAL



This document is the property of and embodies CONFIDENTIAL and PROPRIETARY information of FCI. No part of the information shown on this document may be used in any way or disclosed to others without the written consent of FCI. Copyright FCI.

| PLATING ACTIVE ZONE  |  |   | CHARACTERISTICS  |             |                         |                           |                           |             |
|--|--|---|------------------|-------------|-------------------------|---------------------------|---------------------------|-------------|
| 500 mating/unmating<br>Ni: 2 µm 0/+2 µm<br>Au: 1.27 µm min | 500 mating/unmating<br>Cu flash<br>Ni P : 2 µm 0/+2 µm<br>Au: 0.2 µm min<br>(equivalent 0.8 µm Au) | 200 mating/unmating<br>Cu flash<br>Ni P : 2 µm 0/+2 µm<br>Au: 0.15 µm min<br>(equivalent 0.4 µm Au) | CURRENT<br>max A | AWG<br>WIRE | mm <sup>2</sup><br>AREA | ØA <sup>+0</sup><br>-0.05 | ØB <sup>+0</sup><br>-0.05 | Clip colour |
| 8638PPC4007LF  | 8638PPC4006LF  | 8638PPC4005LF   | 40               | 8-10        | 5-8                     | 4.70                      | 5.50                      | BLUE        |
| 8638PPC3007LF  | 8638PPC3006LF  | 8638PPC3005LF   | 30               | 9           | 6                       | 3.75                      | 4.75                      | WHITE       |
| 8638PPC2007LF  | 8638PPC2006LF  | 8638PPC2005LF   | 20               | 12-14       | 2-3                     | 2.80                      | 3.70                      | RED         |
| 8638PPC1007LF  | 8638PPC1006LF  | 8638PPC1005LF   | 10               | 16-18       | 0.9-1.3                 | 1.80                      | 2.55                      | BLACK       |

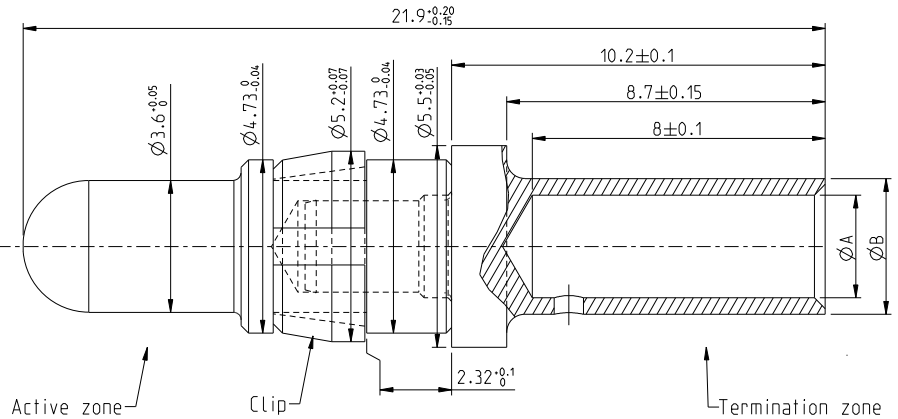
**NOTE: RoHS INFORMATIONS**  
 - The "LF" products meet European union Directives and regulations as described in GS-22-008  
 - Termination plating spec: Sn pure matte  
 - Packaging spec: see GS-14-920

**Materials and finish:**  
 Active zone: CuZn40 Pb3. Plating see table  
 Termination zone (crimping sleeve): CuZn40Pb3  
 Plating 2 µm 0/+2 µm Cu - 3 µm 0/+3 µm Tin pure matte  
 Clip : Thermoset plastic

**Technical characteristics**  
 Peak voltage: 750 Veff.  
 Operating voltage: 500 Veff.  
 Temperature range -55 °C +125 °C  
 Packaged per 100  
 Current capability : see table

**Mechanical characteristics :**  
 Crimping test: according to MILC39029  
 Mechanical endurance: 200 or 500 matings/unmatings (see table).  
 Contact insertion force in insulator:  
 60N maxi in a hole of 4.80 mm

**Examination of product:**  
 Remove all burrs and sharp edges 0.08 maxi  
 No scratch allowed



|           |                |           |            |            |                        |            |                |
|-----------|----------------|-----------|------------|------------|------------------------|------------|----------------|
| Mark with | Material       | SEE TABLE | Spec ref   | surface -  | tolerance              | projection | mm             |
|           | Mat code       |           | ISO 1302   | 405        | 1101                   | size       | Scale          |
|           | Heatreat       |           |            |            |                        | A3         | 10:1           |
|           | Plating/Finish | SEE TABLE |            |            |                        |            |                |
| rev       | ecr no         | dr        | date       | Dr         | JARRY                  | 2002/02/28 | Product family |
| N         | F10-0076       | LSA       | 2010/07/22 | Eng        | PESSON                 | 2002/02/28 | D-sub          |
|           |                |           |            | Chr        | LEGARE                 | 2002/02/28 | Model Name     |
|           |                |           |            | Appr       | LEGARE                 | 2002/02/28 | Model Revision |
| H         | LS06-0097      | LGO       | 2006/07/27 |            |                        |            | 1              |
| J         | LS06-0029      | MPE       | 2008/01/28 |            |                        |            | REL Level      |
| K         | F09-0054       | LSA       | 2009/06/10 |            |                        |            | CONCEPT        |
| L         | F10-0031       | GPE       | 2010/04/12 |            |                        |            |                |
| M         | F10-0065       | LSA       | 2010-06-25 |            |                        |            |                |
|           |                |           |            | FCI        | Title                  |            | Rev.           |
|           |                |           |            |            | MALE CONTACT           |            | C01-8638-0325  |
|           |                |           |            |            | FOR CRIMPED CONNECTION |            | N              |
|           |                |           |            | Pro/E file | catalog no             |            | Customer       |
|           |                |           |            |            |                        |            | sheet 1 of 1   |