

FCI CONFIDENTIAL



This document is the property of and embodies CONFIDENTIAL and PROPRIETARY information of FCI. No part of the information shown on this document may be used in any way or disclosed to others without the written consent of FCI. Copyright (c) 2014

PLATING ACTIVE ZONE			CHARACTERISTICS					
500 mating/unmating Ni: 2µm 0 Au: 1.27µm min +2µm	500 mating/unmating Cu : flash Ni P : 2µm 0 Au: 0.2µm min (equivalent 0.8µm Au) +2µm	200 mating/unmating Cu : flash Ni P : 2µm 0 Au: 0.15µm min (equivalent 0.4µm Au) +2µm	CURRENT max A	AWG WIRE	mm ² AREA	ØA ^{+0.1} 0	ØB±0.1	Clip colour
8638PSC 4007LF	8638PSC 4006LF	8638PSC 4005LF	40	8-10	5-8	4.70	5.50	BLUE
8638PSC 3007LF	8638PSC 3006LF	8638PSC 3005LF	30	9	6	3.75	4.75	WHITE
8638PSC 2007LF	8638PSC 2006LF	8638PSC 2005LF	20	12-14	2-3	2.80	3.70	RED
8638PSC 1007LF	8638PSC 1006LF	8638PSC 1005LF	10	16-18	0.9-1.3	1.80	2.55	BLACK

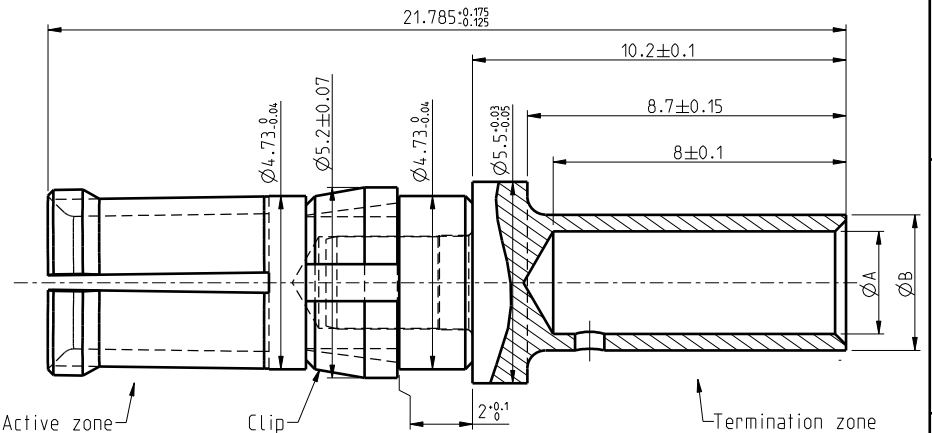
NOTE: RoHS INFORMATIONS
 - The "LF" products meet European union Directives and regulations as described in GS-22-008
 - Termination plating spec: Sn pure matte
 - Packaging spec: see GS-14-920

Materials and finish
 Active zone: CuZn40 Pb3. Plating: See table
 Termination zone (crimping sleeve): CuZn40Pb3
 Plating 2µm²µm Cu 3µm³µm Tin pure matte
 Clip : Thermoset plastic

Technical characteristics
 Peak voltage: 750 Veff.
 Operating voltage: 500 Veff.
 Temperature range -55 °C +125 °C
 Packaged per 100
 Current capability : see table

Mechanical characteristics :
 Crimping test: according to MILC39029
 Mechanical endurance: 200 or 500 matings/unmatings (see table).
 Contact insertion force in insulator:
 60N maxi in a hole of 4.80 mm

Examination of product:
 Remove all burrs and sharp edges 0.08 maxi
 No scratch allowed



Material	SEE NOTES	Spec ref	surface -	tolerance	projection	mm
Mat code	-	ISO 1302	ISO 405	ISO 1101	mm	
Heatreat	-					
Plating/Finish	SEE TABLE + NOTES					
Dr	JARRY	1994/10/14	Product family	-	size	A3
Eng	PESSON	1994/10/14	Model Name	8638PSC200XLF	ECN	F10-0031
Chr	LEGARE	1994/10/14	Model Revision	1	REL Level	
Appr	LEGARE	1994/10/14				
Title			FEMALE POWER CONTACT		DWG no	C01-8638-0326
FOR CRIMPED CONNECTION					Rev.	L
Prov/E	file	catalog no		Customer	sheet 1 of 1	