

4

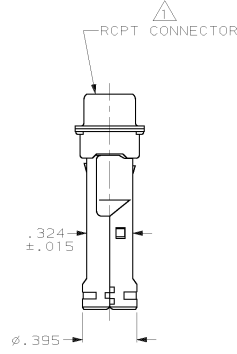
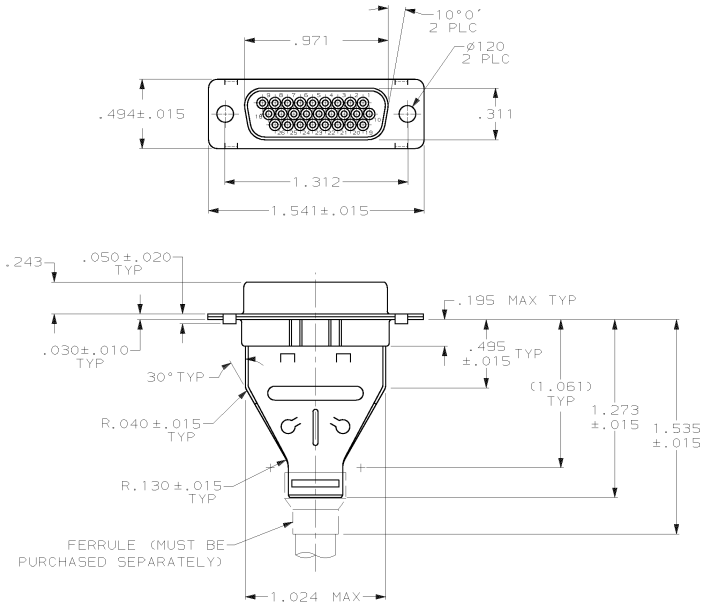
3

2

1

THIS DRAWING IS UNCLASSIFIED
 (C) COPYRIGHT 19 BY AMP INCORPORATED. ALL RIGHTS RESERVED.

REV	DATE	DESCRIPTION	BY	APP'D
0	02 JAN 04	RELEASED PER EC 0513-0209-03	LB	SB



- ⚠ RCPT ACCEPTS 22 DF SOCKET CONTACTS (CONTACTS MUST BE ORDERED SEPARATELY).
- 2. ALL PARTS SHIPPED UNASSEMBLED, EACH PART INDIVIDUALLY BULK PACKED.
- ⚠ FLAME RETARDANT 94V-0 RATED, GLASS FILLED NYLON, BLACK.
- ⚠ .000200 MIN. TIN PLATE OVER .000100 MIN. COPPER UNDERPLATE.

1658687-1
 PART NUMBER

THIS DRAWING IS A CONTROLLED DOCUMENT		DATE: 02JAN04	AMP Incorporated Harrisburg, PA 17105-3608	
DESIGNER: L. BAUM	DATE: 02JAN04	NAME: M. WALMSLEY	KIT, RCPT, SHIELDING HARDWARE, SIZE 2, 26 POSN, HDP-22, AMPLIMITE™	
DRAWN: S. BOLASH	DATE: 02JAN04	PRODUCT SPEC: 108-1268	SCALE: A2	REV: 0
CHECKED: M. WALMSLEY	DATE: 02JAN04	APPLICATION SPEC: 114-10001	CAGE CODE: 00779	RESTRICTED TO: -
MATERIAL: HOUSING: SHIELDS & SHIELDS: CARBON STEEL	FINISH: SHIELDS & SHIELDS:	HEIGHT: -	SCALE: 2:1	SHEET: 1 OF 1
CUSTOMER DRAWINGS		SCALE: 2:1 SHEET: 1 OF 1 REV: 0		