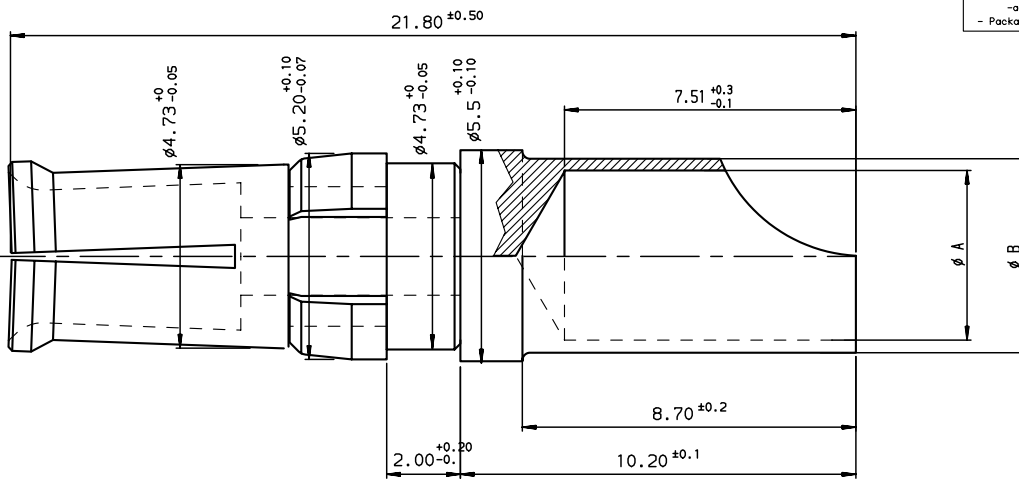


		Core range					
TIN LEAD PART NUMBER	LEAD FREE PART NUMBER	CURRENT max A	AWG	WIRE AREA mm ²	ØA ^{+0.10} ₋₀	ØB ^{+0.10}	COLOUR CLIP
8638PSS4005	8638PSS4005LF	40	8	Section 8.98 mm ² Ø Ame 3.90 mm	4.40	5.50	blue
8638PSS2005	8638PSS2005LF	20	12	Section 3.18 mm ² Ø Ame 2.40 mm	2.80	3.65	red
8638PSS1005	8638PSS1005LF	10	16	Section 1.34 mm ² Ø Ame 1.50 mm	1.70	2.60	black

NOTE, RoHS INFORMATIONS

- The "LF" products meet European union Directives and other country regulations as described in 65-22-008.
- Termination plating spec: Cu 2 +0 +2 µm, Sn 3 +0 +3µm (pure matte)
- active area: CuZn40 Pb3 1µNi+gold
- Packaging spec: see 65-14-920



Materials and finish for TIN LEAD

contact: CuZn40 Pb3 1µNi+gold
 Solder buckets: CuZn36Pb3 2µNi+2µSnPb mini
 Clip : plastic
Technical characteristics
 Peak voltage: 750Veff.
 Operating voltage: 500Veff.
 Temperature range: -55°C ÷ 125°C
 Packaging per 100
 Current capability see table

Mechanical characteristics:

Mechanical endurance : > 200 matings/unmatings .
 Contact insertion force in insulator:
 60N maxi in a hole of 4.80mm

Examination of product:

Remove all burrs and sharp edges 0.08 maxi
 No scratch on all pieces

European Views

www.fciconnect.com		surface ISO 1302	tolerance std ISO 406 ISO 1101	projection mm
TOLERANCES UNLESS OTHERWISE SPECIFIED				
Dr JARRY	1994/12/13	ANGULAR	0.X	±0.1
Eng PESSON	1994/12/13	LINEAR	0.XX	±0.1
Chr LEGARE	1994/12/13	0.XX' ±2'	0.XXX	±0.1
Appr LEGARE	1994/12/13	Product family		D-SUB
Title		size		Scale
FEMALE CONTACT FOR		A3		10
SOLDER CONNECTION		ECN		LS08-0029
catalog no		D-SUB		Spec ref -
FCJ		Part no		Rev.
-		C01-8638-0335-1		H
-		CUSTOMER		sheet 1 of 1

rev	ecn no	dr	date
D	-	JAR	2002/03/13
E	LS05-005	MPE	2005/04/05
F	LS06-0097	LGO	2006/07/27
G	LS07-0059	MPE	2006/02/27
H	LS08-0029	MPE	2008/01/28
-	-	-	-
-	-	-	-

REV F - 2006-04-17