



## NC5FP-1

Smallest available traditional style metal panel mount connector with large solder cups for ease hard wiring.

5 pole female receptacle, solder contacts, black metal housing, silver contacts

### Features & Benefits

- Smallest available hard wiring receptacles with large solder cups
- Short female receptacle
- Compatible with switchcraft D\*M, D\*F; Cannon XLB2\*31, XLB2\*32

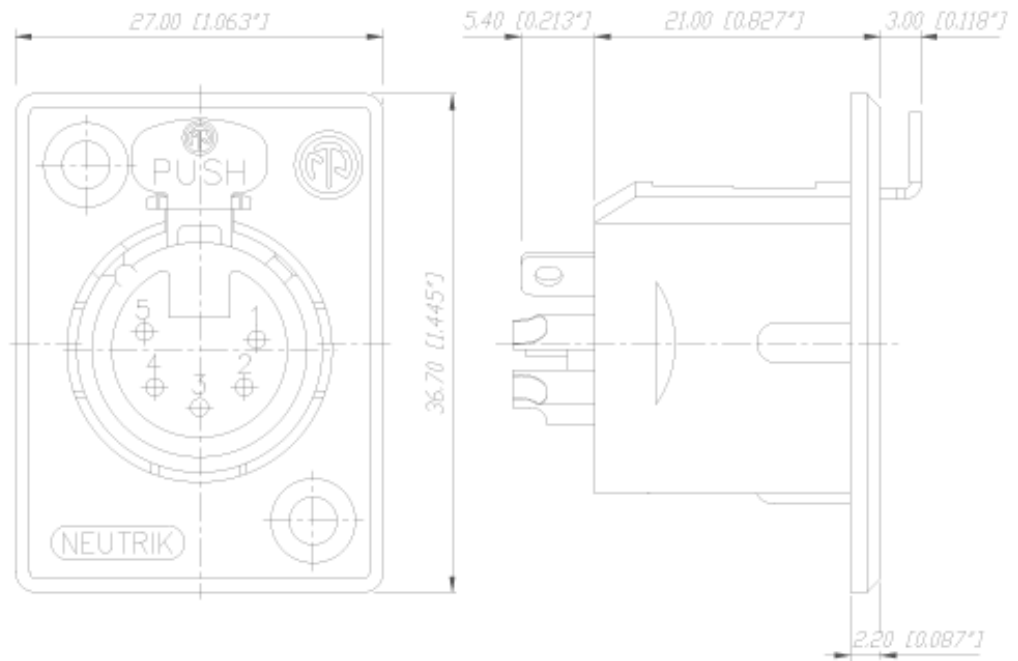




Audio

## P Series

### NC5FP-1



There are no technical infos for this product.

#### Product

|                |        |
|----------------|--------|
| Connector Type | XLR    |
| Gender         | female |

#### Electrical

|                              |   |
|------------------------------|---|
| Capacitance between contacts | $\leq 7$ pF                             |
| Contact resistance           | $\leq 5$ m $\Omega$                     |
| Dielectric strength          | 1,5 kVdc                                |
| Insulation resistance        | $> 2$ G $\Omega$ (initial)              |
| Insulation resistance        | $> 1$ G $\Omega$ (after damp heat test) |
| Rated current per contact    | 7,5 A                                   |
| Rated voltage                | 50 V                                    |

#### Mechanical

|                 |             |
|-----------------|-------------|
| Insertion force | $\leq 20$ N |
|-----------------|-------------|

|                    |                          |
|--------------------|--------------------------|
| Withdrawal force   | ≤ 20 N                   |
| Lifetime           | > 1000 mating cycles     |
| Wire size          | max. 1.0 mm <sup>2</sup> |
| Wire size          | max. 18 AWG              |
| Wiring             | Solder contacts          |
| Locking device     | latch lock               |
| Mounting direction | front                    |
| Chassis shape      | P                        |

### Material

|                 |                            |
|-----------------|----------------------------|
| Contact plating | 2 μm Ag over 2 μm Ni       |
| Contacts        | Brass (CuZn39Pb3)          |
| Insert          | Polyamide (PA 6.6 30 % GR) |
| Locking element | Steel Ck67                 |
| Shell           | Zinc diecast (ZnAl4Cu1)    |
| Shell plating   | Nickel                     |

### Environmental

|                     |                           |
|---------------------|---------------------------|
| Flammability        | UL 94 HB                  |
| Standard compliance | IEC 61076-2-103           |
| Solderability       | Complies with IEC 68-2-20 |
| Temperature range   | -30 °C to +80 °C          |

### Optical

### Mobile Cables