



## DLX Series

### NC3FD-LX-B



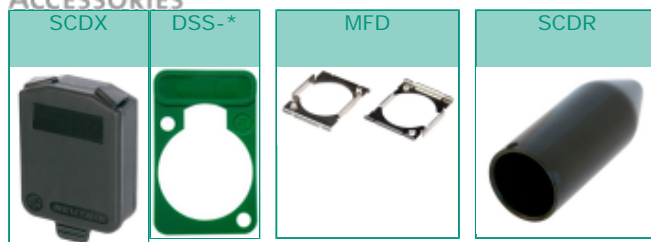
3 pole female receptacle, solder cups, black metal housing, gold contacts

The DLX series features a compact all metal housing with an ingenious duplex ground contact, which offers excellent RF protection and shielding. It is the ideal match for mating with Neutrik's EMC XLR cable connector.

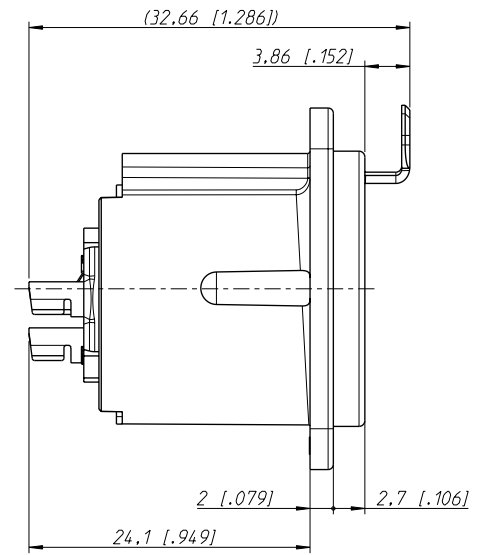
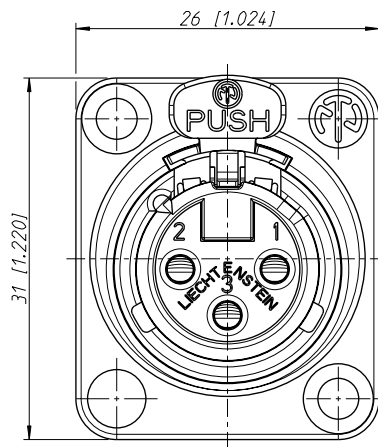
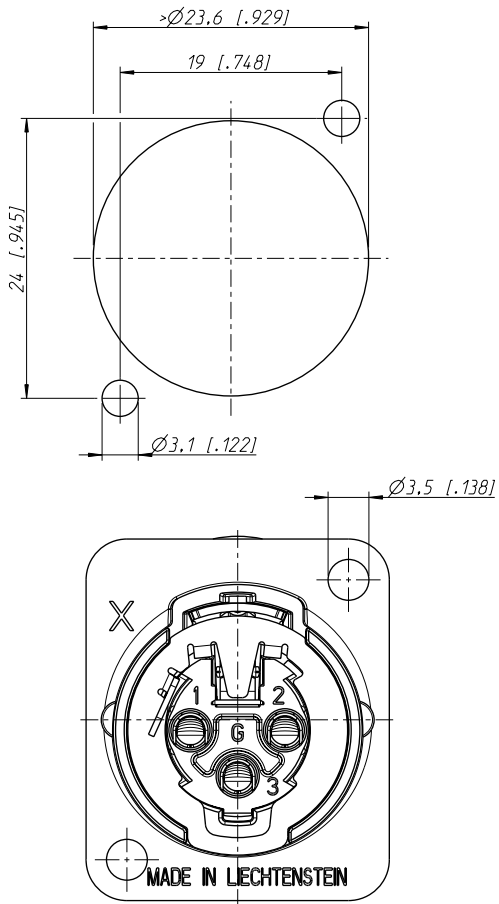
#### Features & Benefits

- All metal housing offers best overall RF protection and electromagnetic shielding
- New duplex ground contact for excellent contact integrity between chassis and cable connector
- Unique cage type female contact on 3 pole version increases conductivity and reduces wear on the mated male contact
- Female contact incorporates a solder barrier to prevent solder running into the contact mating area
- Larger solder contacts for easier termination
- Optional connection to easily join pin1 to chassis ground
- D-style housing provides installation compatibility with industry standard D mounting dimensions

#### ACCESSORIES



Frontplattenausschnitt (Rückseite)  
panel cut out (rear side)

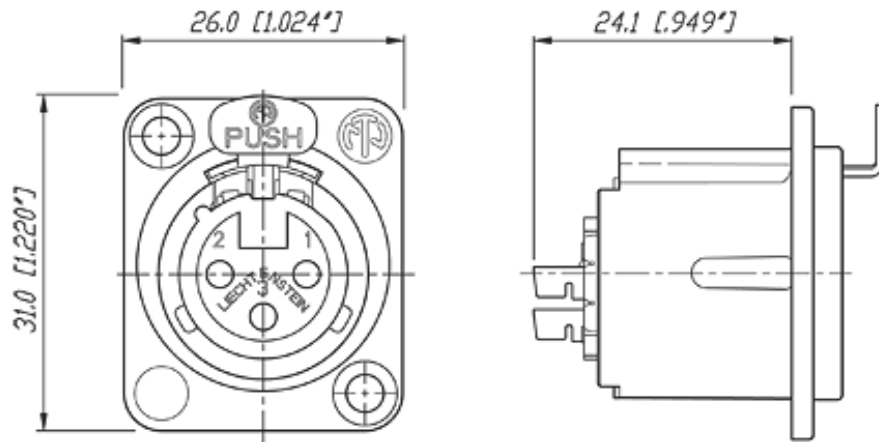


Allgemeintoleranzen ISO 2768-m	Werkstoff	Massstab:	Datum	Name
Zeichnung urheberrechtlich geschützt! (DIN 34) (C)	KEIN_MAT	3:1 (A3)	19.06.06	Ender
			Gezeichnet	-
			Freigegeben	-
			Geändert	-
Benennung			Aend.-Nr.	Aend.-Index
	NC3FD-LX		-	-
	NC3FD-LX		Ersatz fuer:	Blatt 1 von 1 Bl.
NEUTROK AG FL-9494 SCHAAN			Zeichn. Nr.	ST-NC3FD-LX



## DLX Series

### NC3FD-LX-B



There are no technical infos for this product.

#### Product

Connector Type	XLR
Gender	female

#### Electrical

Capacitance between contacts	$\leq 4$ pF
Contact resistance	$\leq 5$ m $\Omega$
Dielectric strength	1,5 kVdc
Insulation resistance	$> 2$ G $\Omega$ (initial)
Insulation resistance	$> 1$ G $\Omega$ (after damp heat test)
Rated current per contact	16 A
Rated voltage	50 V

#### Mechanical

Insertion force	$\leq 20$ N
Withdrawal force	$\leq 20$ N
Lifetime	$> 1000$ mating cycles
Wire size	max. 2.5 mm <sup>2</sup>
Wire size	max. 14 AWG
Wiring	Solder contacts

Locking device	latch lock
Mounting direction	front & rear
Chassis shape	D
<b>Material</b>	
Contact plating	0.2 µm Au hard alloy over 2 µm Ni
Contacts	Bronze (CuSn6)
Insert	Polyamide (PA 6.6 30 % GR)
Locking element	Steel Ck67
Shell	Zinc diecast (ZnAl4Cu1)
Shell plating	Black chromium
<b>Environmental</b>	
Flammability	UL 94 HB
Standard compliance	IEC 61076-2-103
Solderability	Complies with IEC 68-2-20
Temperature range	-30 °C to +80 °C
<b>Optical</b>	
<b>Mobile Cables</b>	