



P Series

NC4FP-1



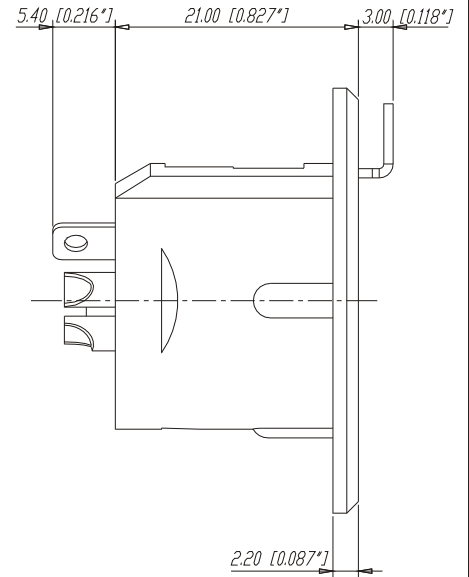
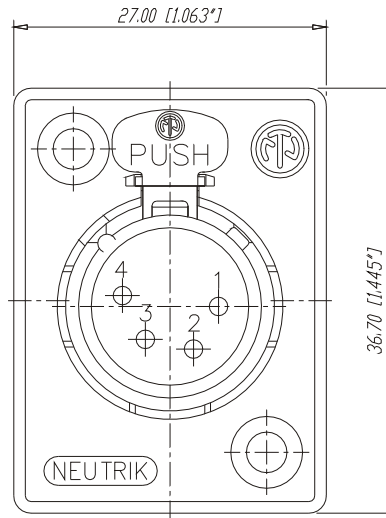
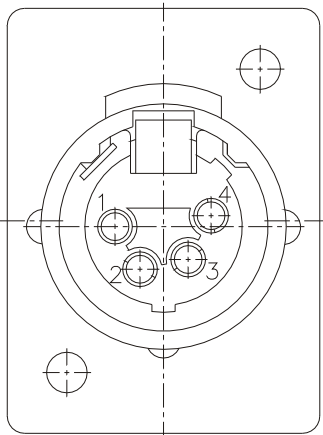
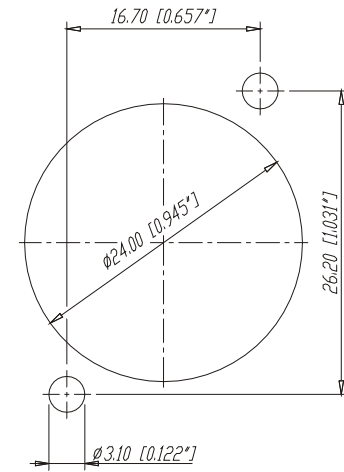
Smallest available traditional style metal panel mount connector with large solder cups for ease hard wiring.

4 pole female receptacle, solder contacts, Nickel housing, silver contacts

Features & Benefits

- Smallest available hard wiring receptacles with large solder cups
- Short female receptacle
- Compatible with switchcraft D*M, D*F; Cannon XLB2*31, XLB2*32

Frontplattenausschnitt (Rückseite)
Panel cut out (rear side)



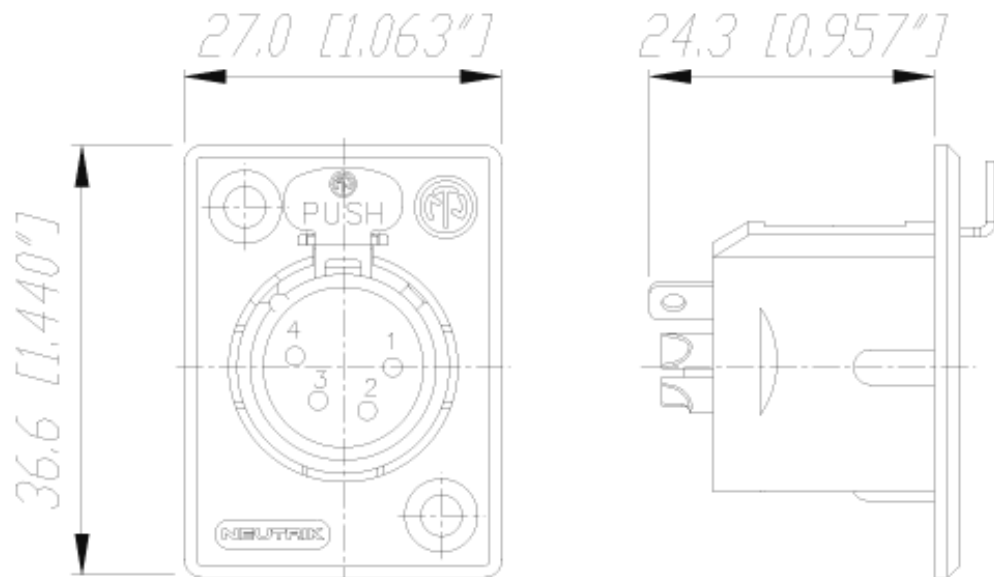
				*Lieferant darf ohne Rücksprache nicht geändert werden	Werkstoff:	Maßstab: 3:1	Gezeichnet 06.07.89	Name Mandlnek
				Zeichnung urheberrechtlich geschützt (DIN 34) (C)			Geprüft	
							Gesehen	
					Benennung: (FP-1) NC4FP-1		Ersetzt durch:	Blatt
							Ersetzt fuer:	von Blatt
A	Aktuelle Zeichnung	24.03.98	Alinjak				Zeichn. Nr.	3102 St 11 07
Ind	Aenderung	Datum	Name	NEUTRIK AG FL-9494 SCHAAN				



Audio

P Series

NC4FP-1



There are no technical infos for this product.

Product

Connector Type	XLR
Gender	female

Electrical

Capacitance between contacts	≤ 7 pF
Contact resistance	≤ 5 m Ω
Dielectric strength	1,5 kVdc
Insulation resistance	> 2 G Ω (initial)
Insulation resistance	> 1 G Ω (after damp heat test)
Rated current per contact	10 A
Rated voltage	50 V

Mechanical

Insertion force	≤ 20 N
Withdrawal force	≤ 20 N

Lifetime	> 1000 mating cycles
Wire size	max. 1.5 mm ²
Wire size	max. 16 AWG
Wiring	Solder contacts
Locking device	latch lock
Mounting direction	front
Chassis shape	P

Material

Contact plating	2 µm Ag over 2 µm Ni
Contacts	Brass (CuZn39Pb3)
Insert	Polyamide (PA 6.6 30 % GR)
Locking element	Steel Ck67
Shell	Zinc diecast (ZnAl4Cu1)
Shell plating	Nickel

Environmental

Flammability	UL 94 HB
Standard compliance	IEC 61076-2-103
Solderability	Complies with IEC 68-2-20
Temperature range	-30 °C to +80 °C

Optical

Mobile Cables