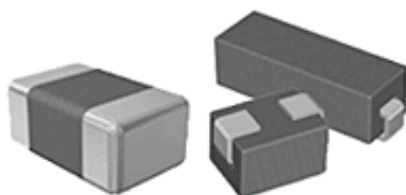


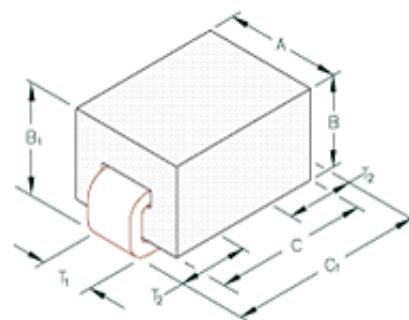
Item # 28F0121-1SR-10 Chip Beads - Power Filtering

Chip Beads - Power Filtering

Steward offers the highest current chip beads in the industry going up to 10 amps in a compact surface mount chip bead. These beads provide excellent retention under bias by minimizing the frequency shift and drop in relative impedance.



[larger image](#)



[larger image](#)

Specifications

Figure Number	1
Typical Z Ohms at 25 MHz	60
Nominal Z Ohms at 100 MHz	96
Typical Z Ohms at 500 MHz	115
Typical Z Ohms at 1 GHz	114
Typical Peak Impedance	117 ohms
Peak Impedance Frequency	833 MHz
Max. DCR	0.001 ohms
Rated Current (Continuous)	10000
Dimension A	3.05 mm 0.120 in
Dimension B	2.54 mm 0.100 in
Dimension B1	0.120 in 3.05 mm
Dimension C	8.51 mm 0.335 in

Dimension C1	0.375 in 9.53 mm
Dimension T1	0.050 in 1.27 mm
Dimension T2	0.060 in 1.52 mm
Material	Broad Band Material
Product Type Code	Assembled Part
Part Size Code	0121
Board Mounting Style	Surface Mount
Packaging	Tape & Reel Standard SMT Package
Additional Description	Lead Free Standard Catalog Part

[Print](#) [Back](#)
