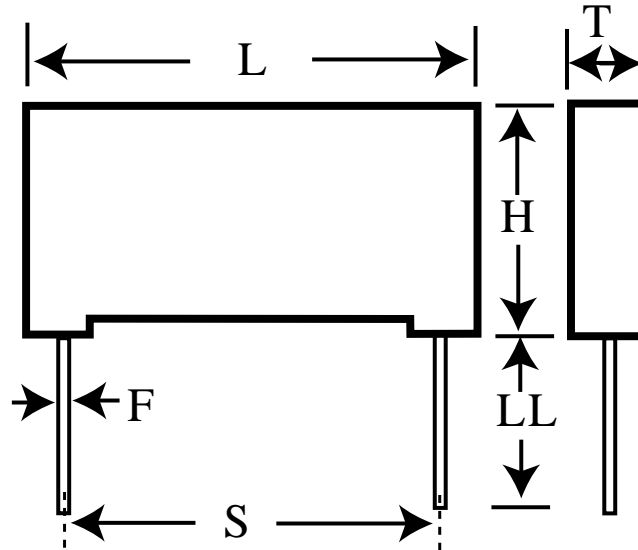


PHE850EA4330MA02R17

aka F850AH332M300A

Capacitor, film, 3300 pF, +/-20% Tol, -55/+110C, Safety: Y2, 300VAC,
Lead Spacing=10 mm



Dimensions (mm)

ID	Dimension	Tolerance
L	13	max
H	10.5	max
T	4.5	max
S	10	+/-0.4
LL	17	nom
F	0.6	nom

Specifications

Manufacturer:	KEMET
Brand:	Rifa
Capacitance:	3300 pF
Temperature Range:	-55/+110C
Rated Temperature:	110C
Voltage @ rated temp:	1250V
Voltage AC:	300VAC
Tolerance:	+/-20%
Body Type:	Radial Box
Construction:	Non-inductive
Application:	Safety: Y2
Dielectric:	Metallized Polypropylene
Dissipation Factor @ 1 kHz:	0.15%
Dissipation Factor @ 10 kHz:	0.2%
Dissipation Factor @ 100kHz:	0.6%
Insulation Resistance:	30 GOhm
Maximum dVdT:	100v/us
UL_1414:	250V
UL_1283:	480V
IEC_60384-14:	300V
EN_132400:	300V
C_22.2_NO.1:	250V
C_22.2_NO.8:	480V
Miscellaneous Electrical:	Rated 480VAC UL, cUL, CSA series(PHE850)
Package Kind:	Bulk
Package Quantity:	1000