






**Key Features:**

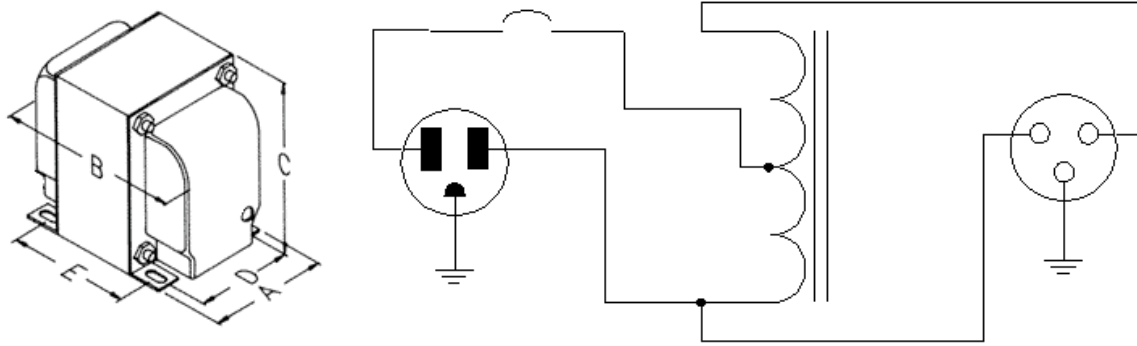
- Single winding, **does not provide isolation**, for use where equipment is already isolated and **only** voltage change is required.
- World wide applications, 50 or 60 Hz. operation, step up (115VAC to 230VAC).
- Input is circuit breaker protected.
- Hi-pot tested to 2 KV RMS
- Input is a standard 3-wire, grounded plug (can also be used with [adaptors](#) for proper grounding).
- Input is connected to a 5 foot cord & standard grounded North American plug (NEMA 5-15P)
- Output - Due to U.L. changes in 2007 - NEW production with the European (Shuko) parts would no longer be U.L. listed. Therefore, we replaced this output receptacle with a one foot long "pig tail" cord with a standard North American 3-wire, 250V receptacle (NEMA 6-15R) for any production after the first part of 2008.
- North American Mark of Safety - C UL & UL listed (File #E211544).
- Indoor use only.
- **Remember** - These units do NOT convert line frequency

**115VAC to 230VAC**

Cat. No.	Capacity VA	Thumbnail Photo	Dimensions (Inches)					Wt. Lbs.
			A	B	C	D	E	
<b>176A</b>	<b>120</b>		3.16	4.25	3.81	2.50	2.94	3.5
<b>176B</b>	<b>200</b>		3.16	4.50	3.81	2.50	3.19	4.5
<b>176C</b>	<b>300</b>		3.16	5.00	3.81	2.50	3.69	6.0

<b>176D</b>	<b>500</b>		3.80	6.00	4.68	3.00	4.38	10.0
<b>176E</b>	<b>750</b>		3.80	7.06	4.68	3.00	5.38	14.0
<b>176F</b>	<b>1000</b>		3.80	7.06	4.68	3.00	5.38	14.5
<b>176G</b>	<b>1500</b>		4.40	6.63	5.39	3.50	6.09	22.0

***Mechanical & Schematic Data:***



Copyright; © 1999-2010 Hammond Mfg Co Inc