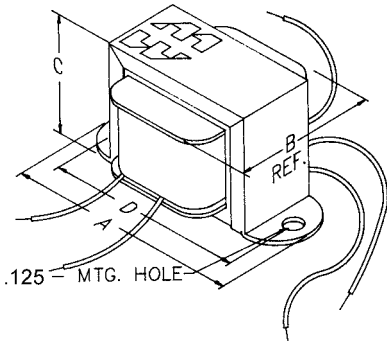


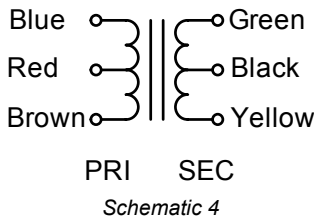
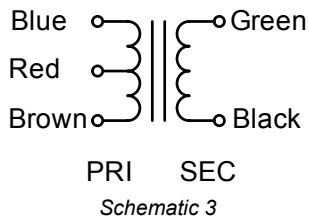
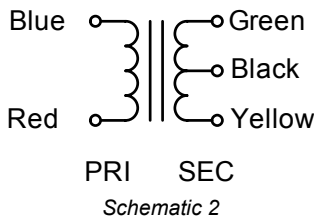
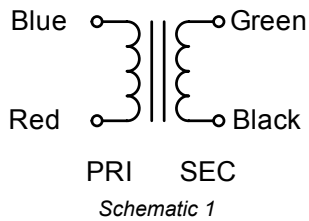
Chassis Mount (143-146 Series)

CHASSIS MOUNT AUDIO TRANSFORMERS



- Economical, open, two hole horizontal bracket mount.
- Insulated, color coded flexible leads, 4" long minimum (143, 144 & 145 Series) or 3" long minimum (146 Series).
- For a similar, P.C. board mount version, refer to our 148 & 149 Series.
- Frequency response 150 Hz. to 15 KHz. (+/- 1 db, reference 1000 Hz.)
- When operating at impedances below nominal, power capability and the frequency spectrum are proportionately lower, conversely, at higher impedances power capability and frequency spectrum will be proportionately higher.
- Net weight: 0.5 oz. (143, 144 & 146 Series) & 1.4 oz. (145 Series).

Series No.	Dimensions (Inches)			
	A	B	C	D
143...	1.35	0.69	0.69	1.06
144...	1.35	0.69	0.69	1.06
145...	1.63	0.88	0.81	1.38
146...	1.63	0.88	0.81	1.38



Part No.	Application	Nominal Impedance		Pri. D.C. (*1) ma	D.C. Resistance +/- 15%		Output mW	Sch.
		Primary	Secondary		Primary	Secondary		
143B	Input	3.2	4000	0	0.4	245	15	1
143D	Input	200K	1000	0	4500	30	25	1
143H	Driver	1500	500 C.T.	4	111	24	30	2
143J	Driver	3000	1000 C.T.	2.6	265	53	30	2
143L	Driver	10000	200 C.T.	1.5	720	9	30	2
143N	Driver	10000	2000 C.T.	1.5	720	89	30	2
143R	Driver	25000	600 C.T.	1	1890	25	30	2
144B	Output	200 C.T.	3.2	10	10	0.33	150	3
144D	Output	300 C.T.	3.2	9	15	0.33	150	3
144F	Output	500 C.T.	3.2	6	27	0.33	150	3
144G	Output	500 C.T.	8	6	27	0.9	150	3
144H	Output	500 C.T.	50	6	28	7.3	150	3
144I	Output	600 C.T.	150 C.T.	6	45	8.2	150	4
144P	Output	10000	3.2	5	575	0.5	50	1
144Q	Output	10000	8	5	575	0.9	50	1
144S	Output	20000	8	3.5	1240	0.9	50	1
145A	Driver	100	200 C.T.	45	14	19	100	2
145B	Driver-Output	600	600	18	30	38	200	1
145C	Input	50000	1500 C.T.	1	2400	52	50	2
145D	Input	200K	1000	0.5	3600	33	10	1
145E	Input-Output	600 C.T.	600 C.T.	5	65	83	200	4
145F	Driver	600 C.T.	200 C.T.	20	45	9	135	4
145G	Driver	2000	200 C.T.	12	140	9	135	2
145H	Driver	2000	500 C.T.	12	148	17	135	2
145J	Driver	4000	600 C.T.	8	340	24	135	2
145L	Driver	4000	2600 C.T.	8	340	100	135	2
145N	Driver	10000	2000 C.T.	5	700	89	135	2
145O	Driver	15000	200 C.T.	4	850	10	135	2
145P	Driver	20000	1000 C.T.	3.5	1180	50	135	2
145R	Driver	20000	2000 C.T.	3.5	1180	89	135	2
146B	Output	48 C.T.	3.2	20	2.4	0.3	700	3
146C	Output	48 C.T.	8	20	2.4	0.7	700	3
146D	Output	100 C.T.	3.2	14	4.4	0.3	700	3
146E	Output	100 C.T.	8	14	4.4	0.7	700	3
146F	Output	250 C.T.	3.2	8	11	0.3	700	3
146G	Output	250 C.T.	8	8	11	0.7	700	3
146H	Output	500 C.T.	3.2	6	26	0.3	700	3
146I	Output	500 C.T.	8	6	26	0.7	700	3
146J	Output	1000 C.T.	3.2	4	56	0.3	700	3
146K	Output	1000 C.T.	8	4	56	0.7	700	3
146N	Output	2000 C.T.	8	3	97	0.7	700	3
146S	Output	4000 C.T.	8	2	220	0.7	700	3

NOTES:

*1) For output transformers this figure is maximum unbalance.

Audio