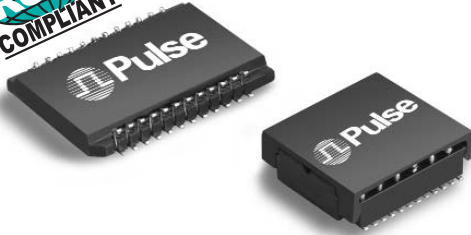


# 1000BASE-T, SINGLE PORT MINI-MAGNETICS MODULES

## Designed to Support 1:1 Turns Ratio Transceivers



- RoHS-6 peak reflow temperature rating 245°C
- Small footprint saves board space
- Compliant with IEEE 802.3ab standard for 1000BASE-T

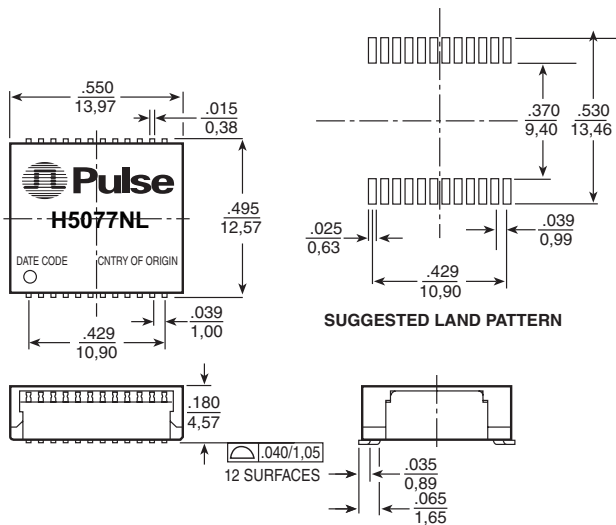
### Electrical Specifications @ 25°C — Operating Temperature 0°C to 70°C

RoHS-6 <sup>3</sup> Compliant Part Number <sup>1</sup>	Insertion Loss (dB MAX)	Return Loss (dB MIN @ 100 W)				Differential to Common Mode Rejection (dB MIN)			Crosstalk (dB MIN)			Hipot (Vrms MIN)
		1-100 MHz	1-30 MHz	40-50 MHz	60-80 MHz	100 MHz	30 MHz	60 MHz	100 MHz	30 MHz	60 MHz	
H5077NL <sup>2</sup>	1	-18	-16	-12	-10	-43	-37	-33	-45	-40	-35	1500
H5079NL <sup>2</sup>	1	-18	-16	-12	-10	-43	-37	-33	-45	-40	-35	1500

- Add "T" to the end of the part number for tape-and-reel option, e.g. H5077NL becomes H5077NLT.
- MSL = Moisture Sensitivity Level = 1
- RoHS-6:** Product does not contain 5 out of the 6 banned substances specified in the RoHS directive. Some internal connections may contain lead in high-temperature solder (solder alloys containing more than 85% lead).

## Mechanicals

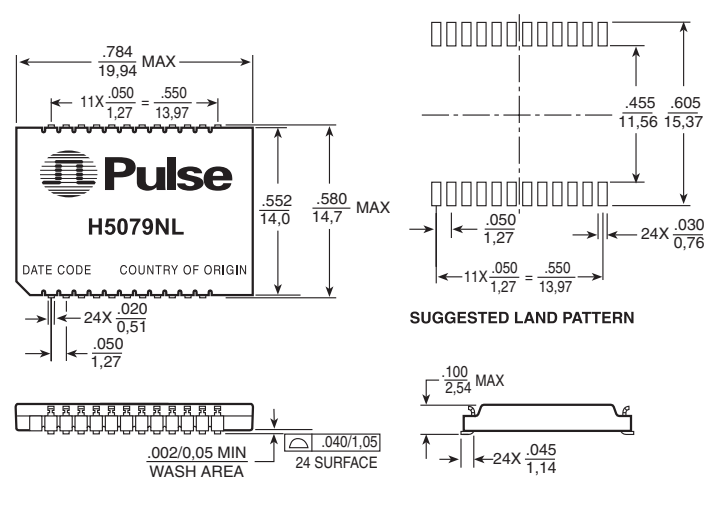
### H5077NL



Weight ..... 1.2 grams  
Tape & Reel ..... .400  
Tube ..... .30

Dimensions: Inches mm Unless otherwise specified, all tolerances are ± .010  
0,25

### H5079NL



Weight ..... 1.0 grams  
Tape & Reel ..... .700  
Tube ..... .20

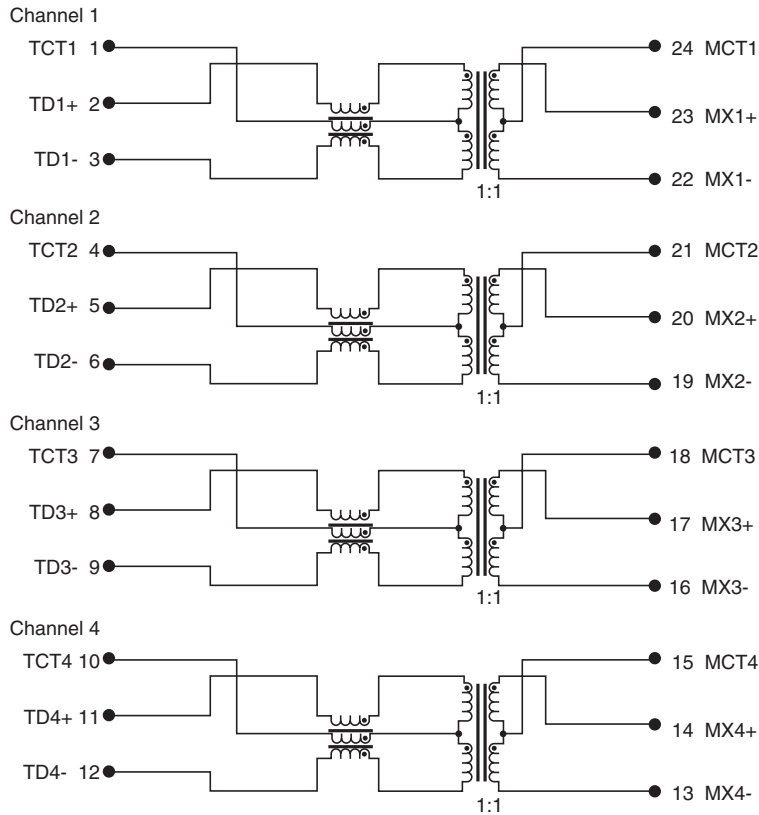
# 1000BASE-T, SINGLE PORT MINI-MAGNETICS MODULES

Designed to Support 1:1 Turns Ratio  
Transceivers

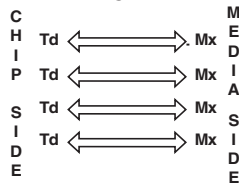


## Schematic

**H5077NL, H5079NL**



### LEGEND



### For More Information:

**Pulse Worldwide Headquarters**  
12220 World Trade Dr.  
San Diego, CA 92128  
U.S.A.

**Pulse Europe**  
Einsteinstrasse 1  
D-71083 Herrenberg  
Germany

**Pulse China Headquarters**  
B402, Shenzhen  
Tech-Innovation International  
Tenth Kejinan Rd.  
High-Tech Industrial Park  
Nanshan District, Shenzhen  
China

**Pulse North China**  
Room 1503  
XinYin Building  
No. 888 YiShan Rd.  
Shanghai 200233  
China

**Pulse South Asia**  
150 Kampong Ampat  
#07-01/02  
KA Centre  
Singapore 368324

**Pulse North Asia**  
No. 26, Kao Ching Rd.  
Yang Mei Chen  
Taoyuan Hsien  
Taiwan  
R. O. C.

Tel: 858 674 8100  
Fax: 858 674 8262

Tel: 49 7032 7806 0  
Fax: 49 7032 7806 135

Tel: 86 755 33966678  
Fax: 86 755 33966700

Tel: 86 21 54643211/2  
Fax: 86 21 54643210

Tel: 65 6287 8998  
Fax: 65 6280 0080

Tel: 886 3 4641811  
Fax: 886 3 4641911

Performance warranty of products offered on this data sheet is limited to the parameters specified. Data is subject to change without notice. Other brand and product names mentioned herein may be trademarks or registered trademarks of their respective owners.  
© Copyright, 2007. Pulse Engineering, Inc. All rights reserved.