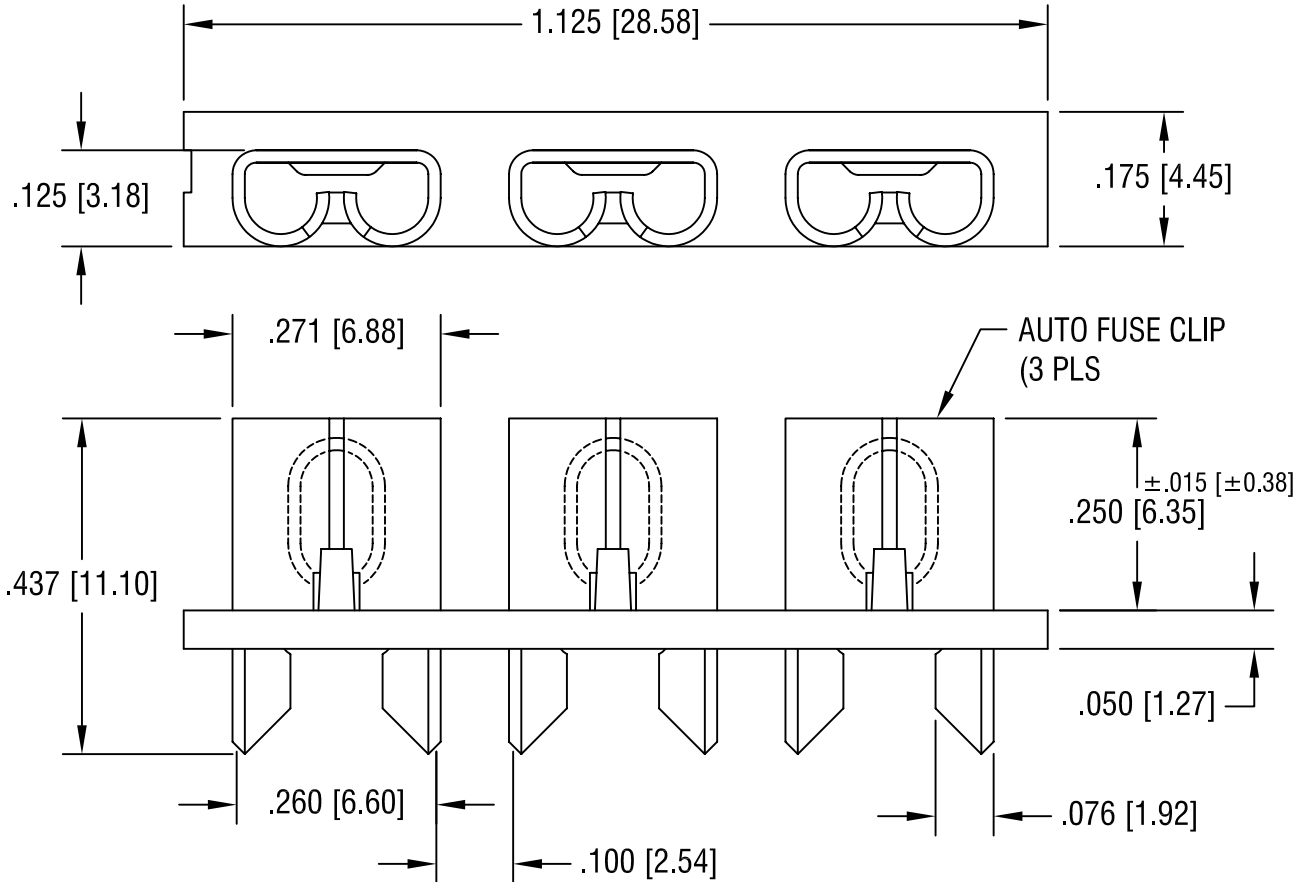
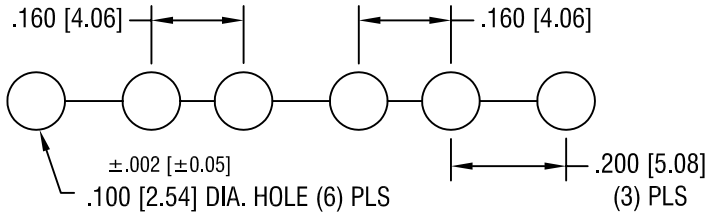


THIS DOCUMENT IS THE PROPERTY OF
KEYSTONE ELECTRONICS CORP. AND
SHALL NOT BE REPRODUCED, DISTRIBUTED
OR USED AS A BASIS FOR MANUFACTURE
WITHOUT PRIOR WRITTEN PERMISSION
FROM KEYSTONE ELECTRONICS CORP.

MOUNTING LAYOUT



NOTE:

CLIP: .016 [0.40] TH'K BRASS, TIN NICKEL PLATE
 BASE: MAT'L: GLASS FILLED NYLON, UL 94V-0
 CURRENT RATING: 30 AMPS
 VOLTAGE RATING: 500VAC
 TEMPERATURE RATING: -58°F TO +292°F
 (-50°C TO +145°C)

KEYSTONE ELECTRONICS CORP.			
ASTORIA, N.Y. 11105-2017			
PART NAME		PC AUTO FUSE SOCKET	
MATERIAL		AS NOTED	
FINISH	AS NOTED	DRN BY	BOONE
		APP'D	
		DATE	4.3.92
		SCALE	4X
TOLERANCES	INCH [MM]	CODE	DWG NO.
DECIMAL	±.005 [±0.15]	C	3522-3
ANGULAR	± 1°		
UNLESS OTHERWISE SPECIFIED			

8.18.06	CHANGE AS PER ECN 06-047	D
9.21.04	CHANGE AS PER ECN 04-122	C
DATE	DESCRIPTION	REV.