

POWER ENTRY MODULES

KE

**Fuse drawer «Extra-Safe»
for Power Entry Modules, types KE, CE, KG, CG**



Medical
Fuse drawer

Order Numbers

for fuses 5 x 20 mm			for fuses 6,3 x 32 mm		
1-pole	2-pole	2-pole with shorting bar in the neutral side	1-pole	2-pole	2-pole with shorting bar in the neutral side
4305.0006	4305.0001	4305.0021	4305.0016	4305.0011	4305.0026

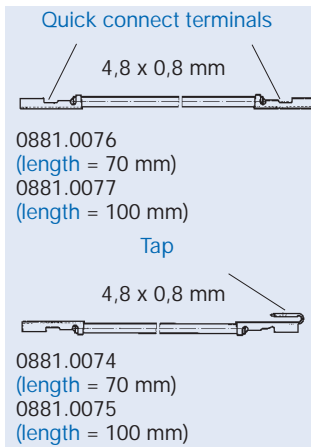
Ordering example

The following 3 positions are necessary to place an order:

1. Order no Socket
2. Order no Voltage selector insert
3. Order no Fuse drawer

KE10.6100.107
4305.0048.03
4305.0001

Accessory connection with stranded cable for KE, CE and KG, CG (wiring of voltage selector)



The connection with stranded cable has to be mounted by customer.
Strand = 1,5 mm²

Attention:

To guarantee the minimum air and creeping distances, use taps only for terminal

3 / 4 or N for KE, CE

2 / 3 / 4 or N for KG, CG

(concerns voltage selector system 1, 2 and 3).

Order Numbers for connection with stranded cable

Power entry modules type	Voltage selector System No. 1	Voltage selector System No. 2 and 3	Voltage selector System No. 4
KE, CE 1-pole	0881.0075 0881.0076	0881.0074 0881.0075	0881.0076 0881.0077
KE, CE 2-pole	0881.0074 0881.0076	2x 0881.0074	2x 0881.0076
KG, CG 1-pole	0881.0075 0881.0076	0881.0074 0881.0075	0881.0076 0881.0077
KG, CG 2-pole	0881.0074 0881.0076	2x 0881.0074	2x 0881.0076