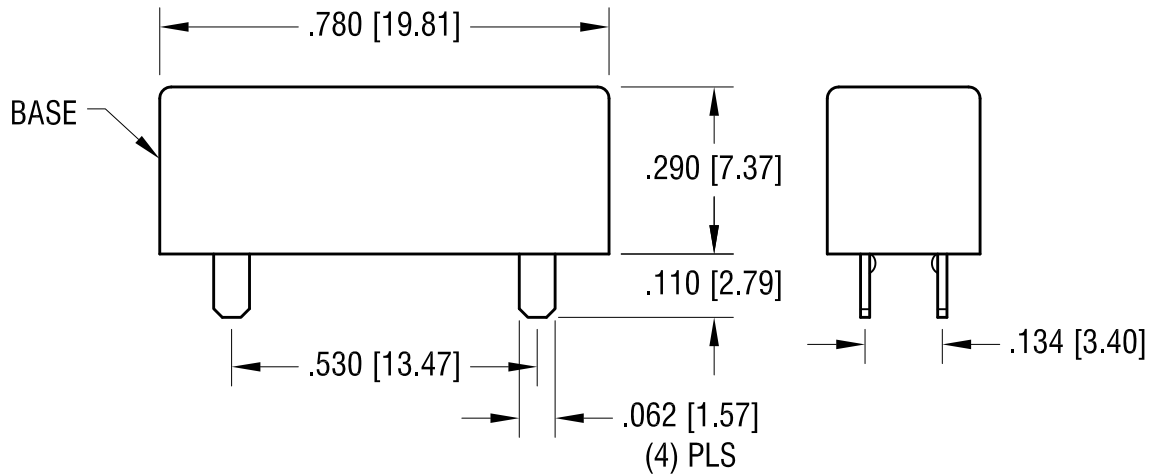
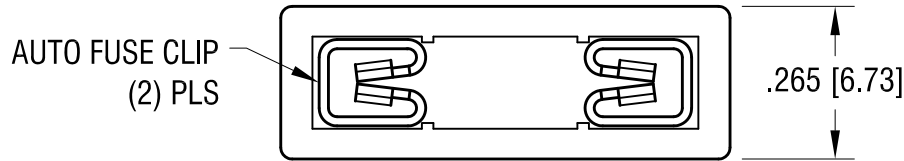
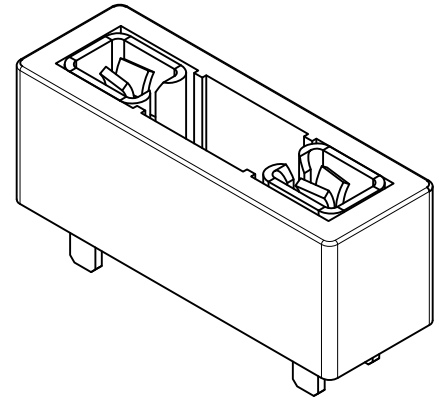
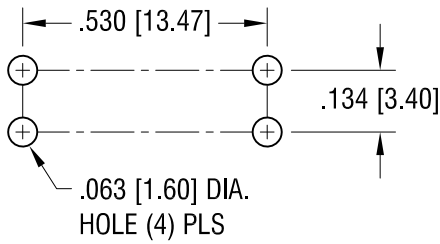


THIS DOCUMENT IS THE PROPERTY OF KEYSTONE ELECTRONICS CORP. AND SHALL NOT BE REPRODUCED, DISTRIBUTED OR USED AS A BASIS FOR MANUFACTURE WITHOUT PRIOR WRITTEN PERMISSION FROM KEYSTONE ELECTRONICS CORP.

**MOUNTING DETAIL**



**NOTE:**

- 1. BASE: MAT'L: HEAT RESISTANCE NYLON STANYL 46 OR EQUIVALENT
- CLIP: MAT'L: .016 [0.40] TH'K BRASS, TIN NICKEL PLATE

**KEYSTONE ELECTRONICS CORP.**

www.keyelco.com • ASTORIA, N.Y. 11105-2017 • Tel (718) 956-8900

|                            |                 |                     |               |
|----------------------------|-----------------|---------------------|---------------|
| PART NAME                  |                 | PC AUTO-FUSE HOLDER |               |
| MATERIAL                   |                 | AS NOTED            |               |
| FINISH                     | AS NOTED        | DRN BY              | BOONE         |
|                            |                 | APP'D               |               |
|                            |                 | DATE                | 12.28.06      |
|                            |                 | SCALE               | 3X            |
| TOLERANCES                 | INCH [MM]       | CODE                | DWG NO.       |
| DECIMAL                    | ± .005 [± 0.15] | C                   |               |
| ANGULAR                    | ± 1°            |                     |               |
| UNLESS OTHERWISE SPECIFIED |                 |                     | <b>3557-2</b> |

|         |                          |      |
|---------|--------------------------|------|
| 3.25.10 | CHANGE AS PER ECN 10-025 | B    |
| 5.11.07 | CHANGE AS PER ECN 07-022 | A    |
| DATE    | DESCRIPTION              | REV. |